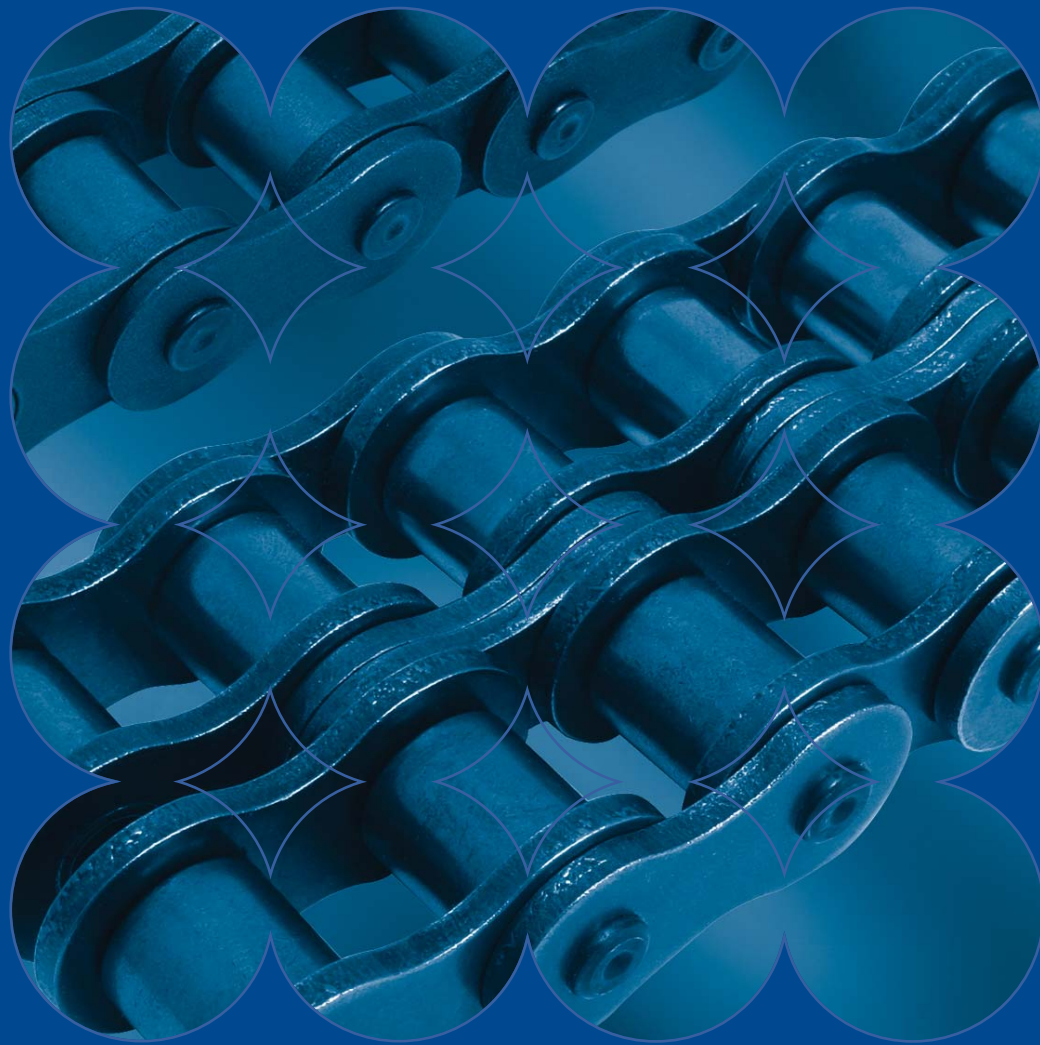


Roller chain



RENOLD
Superior Chain Technology

Renold Chain Product Range

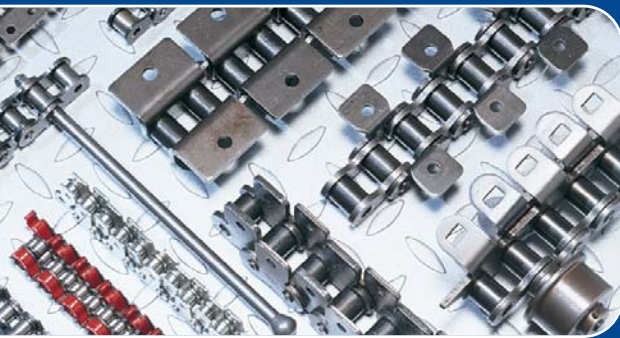


Roller Chain

- British, ANSI, API, DIN, ISO and Works Standard Chains
- Adapted Chains
- Extended Pitch Chains
- Hollow Pin Chains
- Made to Order, Special Chains
- Mini Pitch Chains
- Nickel Plated Chains
- Oilfield Chains
- Plastic Bush Chains
- Power and Free Chains
- Polymer Block Chains
- Side Bow Chains
- Stainless Steel Chains

Applications

- Abattoirs • Air Conditioning • Aircraft - Civil & Military • Bakery Machines • Battery Manufacturing
- Brewing • Canning • Carpet Machines • Chart Tables/Marine • Chocolate Manufacturing
- Concrete Moulding Equipment • Copying Machines • Dairy Machinery • Drying Machinery
- Earth Moving Equipment • Extrusion Machines • Filtration Plants • Food & Drink Manufacture
- Glass Manufacture • Health Care Equipment • Hydraulic Components • Ice-Cream Manufacture
- In-flight Refueling • Ingot Casting & Scrap Metal Processing • Latex Machinery • Laundry Machinery
- Lawnmower Manufacture • Mill Machinery • Mining • MOT Brake Testing Machinery • Nuclear Power
- Off Road Vehicles • Oil Industry • Packaging Machines • Paper & Card Making • Paper Shredders
- Plastic Machinery • Potato Grading Machinery • Power Generation • Printing Machines • Quarry Plant
- Road Making & Plant Machinery • Robotic Systems • Roof Tile Manufacture • Ship's Engines
- Silkscreen Machinery • Ski-Lifts • Soot Blowers • Steel Making • Straddle Carriers • Sugar Beet Machines • Sun-Blinds • Telecommunications • Textile Machinery • Timber and Woodworking Machines
- Tin Printer Ovens • Tobacco/Cigarette Machinery • Tunnelling Machines • TV. and Audio Equipment
- Tyre Manufacture • Waste Handling • X-Ray Equipment



Conveyor Chain

- British, ISO and Works Standard Chains
- Adapted Chains
- Agricultural Chains
- Bakery Chains
- Deep Link Chains
- Escalator Chains
- Made to Order, Specials
- Stainless Steel Chains
- Sugar Cane Chains
- Zinc Plated Chains

Applications

- Abattoirs • Agricultural Machines • Bakery Machines • Bottle Washing Plants
- Brick & Tile Machinery OEM • Car Plants • Cement Plants • Chemical Plants • Chicken Process Equipment
- Cigarette/Tobacco Machinery • Dust Filters • Egg Sorting Conveyors • Electrical Switchgears • Escalators
- Extrusion Machines • Feed Mill Machines • Feed Silo Equipment • Fibreglass Industry • Filtration Plants
- Fish Conveyor • Food Sterilisation • Food Processing • Freezing Equipment • Freezing Tunnels
- Glass Manufacturing • Grain Conveyor • Harvesting Machines • Ice Cream Machines • Induction Furnaces
- Ingot Casting & Scrap Metal Processing Mfr • Latex Machinery • Leisure Rides • Luggage & Parcel Handling
- Machine Tools • Mail Sorting • Metal Casting • Mushroom Compost Machinery • Nuclear • Ovens/Provers
- Potato Grading Machinery • Potting Machinery • Quarries • Radio Astronomy • Roof Tile Manufacture
- Rope Machinery • Saw Mill Equipment • Sewage Plants • Shaker Conveyors • Ski-Lifts • Sluice Gates
- Steel Making • Sugar Factories • Swarf Conveyors • Textile Machinery • Timber & Woodworking Machines
- Tool Changer • Tunnelling Machines • Tyre Manufacture • Washing & Sterilising Machines
- Water Treatment • Wire Belts



Lifting Chain

- LH(BL), AL, LL and Works Standard Chains

Applications

- Bottle Washing Plants • Cement Plants • Chemical • Counterbalance Sets • Cranes
- Dust/Swarf Conveyors • Elevators • Food Processing • Food Sterilisation • Fork Lift Trucks
- Pipe Line Valves/Taps • Printing Machines • Rock Drilling • Straddle Carriers • Sun-Blinds • Tail Lifts

Table of Contents

Section 1 - BS and ANSI products and dimensions

Precision Roller Chain, Parts & Connecting Links	5
Solution chains from Renold	6
Renold Synergy roller chain	10
Renold Syno NP chain	12
Renold Syno PB chain	14
Renold Syno PC chain	15
Renold Hydro-Service chain	16
Renold Sovereign	18
Stainless Steel chain	19
Zinc Plated chain	20
Nickel Plated chain	21
Renold roller chain	22
Renold A&S roller chain	26
Renold ANSI Xtra roller chain	28
Renold Multiplex chain	30
Straight Side Plate chain	31
Cranked Link chain	32
Hollow Pin chain	33
Double Pitch chain	34
Sidebow chain	35
Standard BS attachments	36
Standard ANSI attachments	46
Renold Klik-Top chain	53
Renold Polymer Block chain	55
Renold Smartlink	60
Renold Roll-Ring	62
Sprockets	65
Transmission Counterweight Sets	74
Rack Sets	75
Roller Chain Guides	76
Pin Extractors and Spray Lubricant	77

Section 2 - Chain Installation and Maintenance

Chain Installation and Maintenance	78
------------------------------------	----

Section 3 - Designer Guide

Designer Guide specification guidelines	91
---	----

Section 4 - Industry applications

Examples of Renold Chain in action	118
------------------------------------	-----

Word Index

134

Section 1

European (BS) & ANSI
Products & Dimensions

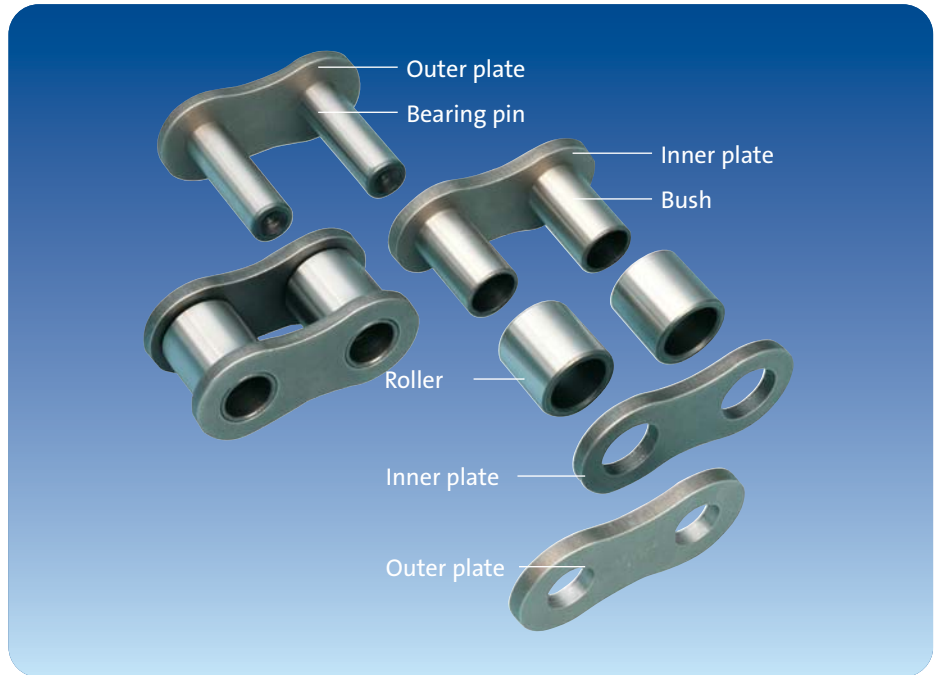
Precision Roller Chain, Parts and Connecting Links

The Renold precision steel roller chain is a highly efficient and versatile means of transmitting mechanical power, which, in the field of industrial applications, has almost completely superseded all other types of chain previously used.

The illustration below shows component parts of the outer link and of the inner link of a Renold simple roller chain.

As illustrated, the Renold precision steel roller chain consists of a series of journal bearings held in precise relationship to each other by the constraining link plates. Each bearing consists of a bearing pin and bush on which the chain roller revolves. The bearing pin and bush are case hardened to allow articulation under high pressures, and to contend with the load carrying pressures and gearing action imparted via the chain rollers.

All chains are classified according to pitch (the distance between the centres of adjacent bearing pins), roller diameter and width between inner plates. Collectively, these dimensions are known as the gearing dimensions, as they determine the form and width of the sprocket teeth.



Standard links

The chain parts and connecting links illustrated are only indicative of the types available. Please refer to the appropriate product page for the parts relevant to individual chains.

No. 4
Inner Link (BS/DIN)
Roller Link (ANSI)



These are complete assemblies for use with all sizes and types of chain. The unit consists of two inner plates pressed on to the bushes which carry the rollers. (Inner links for use with bush chains have no rollers).

No. 107
Outer Link - Press Fit (BS/DIN)
Riveting Pin Link - Press Fit (ANSI)



For use with all sizes and types of chain where optimum security is desired. The link is supplied with bearing pins riveted into one outer plate. The other outer plate is an interference fit on the bearing pins, the ends of which should be riveted over after the plate is fitted.

Press fit connecting links should only be used once; new links must be used to replace dismantled links. (See 'Riveting Chain Endless' for full instructions).

No. 11
Connecting Link - Slip Fit
(BS/DIN/ANSI)



A connecting link supplied with two connecting pins riveted into the outer plate. The outer plate is a clearance fit on the connecting pins and is secured in position by a split pin through the projecting end of each connecting pin.

No. 26
Connecting Link - Slip Fit
(BS/DIN/ANSI)



Used on short pitch chains only. Supplied with two connecting pins riveted into the outer plate, the clearance fit connecting plate being secured by means of a spring clip, No. 27, which snaps into the grooves in the pins.

No. 58
Connecting Link - Press Fit
(BS/DIN/ANSI)



The standard connecting link for ANSI series detachable chains, also used on riveted chains where high speeds or arduous conditions are encountered. Supplied with two connecting pins riveted into the outer plate, the other outer plate being a press fit onto the pins and secured by split pins after assembly.

Press fit connecting links can only be used once; new links must always be used to replace dismantled links.

Cranked links

Apart from the specialised chains where the cranked link is an essential design feature, cranked links are used only where the chain length must be an odd number of pitches. This practice is not recommended; all drives should, wherever possible, be designed with sufficient overall adjustment to ensure the use of an even number of pitches throughout the chain. DO NOT USE CRANKED LINKS ON IMPULSIVE, HIGHLY LOADED OR HIGH SPEED DRIVES.

No. 12
Cranked Link - Slip Fit (BS/DIN)
Offset Link - Slip Fit (ANSI)



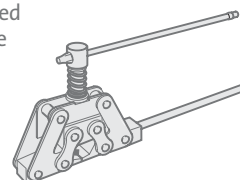
A single link with cranked plates pressed onto a bush and roller assemble at the narrow end. A clearance fit connecting pin (No. 128) is fitted at the wide end and is secured by a split pin.

No. 30
Cranked Link Double (BS/DIN)
Two Pitch Offset Link (ANSI)



Double cranked links are available for most sizes and types of chain. The unit consists of an inner link (No. 4), with cranked links retained permanently in position by a riveted bearing pin.

Screw operated extractors break chain by forcing the Renold end softened bearing pins out of the outer link plates. For other brands of chain, the rivet swell must first be ground away.



Solution Chains from Renold

RENOLD
Synergy™

Strong. powerful. Performance.

Renold Synergy represents the biggest single innovation in power transmission technology since the bush roller chain was invented. Its wear resistance and performance capabilities are without equal.

At Renold our motivation is the constant pursuit of excellence. Even when we know that we are developing a truly exceptional design, we're not content to leave it at that. We haven't stopped our research and development of Renold Synergy since the day the idea was born. The expertise and experience of Renold's engineers and designers has brought about significant improvements to even this recognised world-beater!

Many thought there was no way to improve on such an innovative design but the latest development of Renold Synergy now represents a bold new evolution of a product that has already rewritten the rulebook!

Chain is too small a word to describe Renold Synergy. It has made, and continues to make, an unquestionable contribution to the improved performance and reliability of drive systems all over the world.

Operational features and benefits - user friendly

- Renold Synergy is virtually dry-to-the-touch, therefore the lubricant stays in the chain, not on your hands
- Renold Synergy's special platinum-coloured connecting link contrasts with the black surface of the other plates, making for easy identification, ensuring rapid disconnection of the chain
- Renold Synergy's unique soft pin ends allow quick and easy cutting to length without damaging the rest of the chain

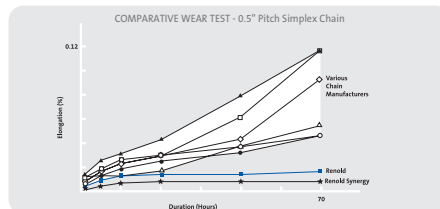
- Because Renold Synergy lasts longer and is more resistant to shock loading, it is the most reliable product of its kind; just fit it and forget it.

Operational features and benefits - environmentally friendly

- Precious initial lubricant is primarily in the chain not on the outside where it's not needed
- All packaging is 100% recyclable
- All chain is 100% recyclable
- Renold Synergy is made in factories that fully conform with ISO 14001
- All material waste in production is recycled

Wear performance

Most correctly specified chain eventually has to be replaced due to elongation caused by wear between the pin and bush. Independent tests have shown that Renold Synergy outperformed the best of the recognised quality competitor chain by almost six times.



Fatigue performance

Under conditions of continual heavy load or repeated shock loading, chain may need to be replaced due to breakage or fatigue. Tests have shown that Renold Synergy is significantly

better than other leading brands. This is especially true as the loose fit connecting link plates were specially treated to achieve the same fatigue performance as the chain.

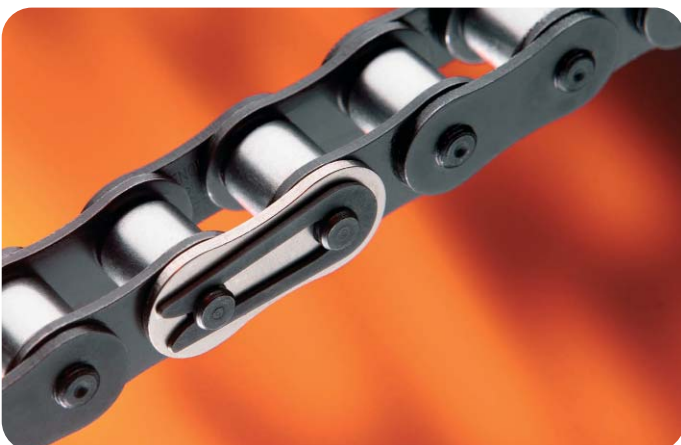
Renold Synergy fatigue performance is not only measured as a chain, but as a chain system.

Product features and benefits - plates

- Precision blanked profile optimises stress distribution
- Strict control of steel specification (including trace elements) to ensure very consistent heat treatment results
- Triple punch holing techniques maximises resistance to crack propagation and ensures controlled positional location of pin and bush for even wear
- Special coating gives improved corrosion and light acid resistance
- Connecting link plates are specially treated to ensure the same fatigue performance as the overall chain

Product features and benefits - pin and bush

- Optimised hardening to minimise wear but also prevent brittleness
- Unique bush bore profile to ensure full contact between pin and bush bore surfaces
- Three-stage pin surface treatment giving a unique combination of lubrication retention and extended wear life
- Exclusive 6-stage cold extrusion process giving concentricity and material grain flow, optimising shock load resistance



Solution Chains from Renold



The Renold Syno range sets a new benchmark for lube-free performance.

Renold Syno NP chain

This dry-to-the-touch chain now includes more performance enhancing characteristics than ever before. Using the latest techniques, Renold have incorporated special surface treatment processes to improve the bonding of the nickel plating. This type of plating is not prone to chipping or peeling as some other plated chains are prone to doing.

The pin coating minimises friction, improving wear life and reducing vibration, while the FDA-approved coating on the roller and the USDA H1-approved lubricant within the chain make it ideal for food processing environments.

- Dry-to-the-touch chain
- Never needs relubrication
- FDA-approved coating on rollers
- Nickel-plating on plates won't chip or peel
- Good resistance to corrosion
- Food industry-approved lubricant inside chain when supplied
- Standard chain dimensions so can be exchanged "like for like"
- Will run on standard sprockets
- BS: ½" to 1½" simplex and duplex (06B-1 to 24B-1 and 06B-2 to 24B-2)
- ANSI: ½" to 1¼" simplex and duplex (40-1 to 100-1 and 40-2 to 100-2)

Renold Syno Nickel Plated chain outlasts any comparable competitor product promoted as low-lube or non-lube.

Renold Syno PC chain

Renold has added to its impressive Syno range of chain for applications where lubrication is either difficult or impractical. The latest element is the introduction of a poly-steel chain, Renold Syno PC chain, comprising a polymer inner link and stainless steel pins and outer plates.

With no metal bush or roller there is no lubricant required to facilitate metal-on-metal movement. This opens up applications where the chain could even run submerged in water if required.

This construction also means the chain is corrosion resistant, light weight and versatile. Attachments can be fitted to the outer plates if required.

- No lubrication required
- Can operate in wet conditions, even submerged
- Lightweight construction
- Attachments can be added

Renold Syno PB chain

For higher loads and more heavy-duty applications, the Renold Syno range takes on the serious business of wear and fatigue resistance through the addition of a polymer sleeve between the pin and bush.

- Absolutely no lubrication
- Highly durable and wear resistant polymer bush – exclusive to Renold
- Polymer roller tested for impact resistance and load capabilities
- Can be operated without any lubrication
- Available in 28B – 40B and ANSI 120 to 200

Ideal for applications where it is not possible or not advisable to lubricate a chain, Renold Syno Polymer Bush chain can be considered for:

- Outdoor or wash down environments
- Car assembly plants or steel mills
- Environments where lubrication may contaminate products
- Forestry; saw mills or paper mills
- Textile plants
- Mixers
- Environments where lubrication may cause contaminants to stick to the chain and possibly get into bearing areas, seizing up the chain.

With a corrosion resistant surface treatment adding to the variety of applications it can cope with, Renold Syno Polymer Bush chain is a truly versatile product.



Solution Chains from Renold

Nickel Plated chain

Renold Nickel Plated chain delivers excellent corrosion protection. Ideal for applications such as bottling where spillages can lead to corrosion the specification for this chain is designed to optimise its performance. Every modification is made to push the wear and fatigue resistance to the maximum as well as delivering corrosion resistance.

Features and benefits:

- Hexavalent chrome free
- 400 hours corrosion protection during salt spray tests to DIN 50021
- Cold extruded, solid bush and roller delivering maximum Renold performance
- Plates and rollers shot peened to our exact specifications
- Wear and fatigue resistance that delivers maximum working life
- Lubrication that improves wear performance
- Tensile strength is approximately 85% that of standard carbon steel chain



Stainless Steel chain

Renold Stainless Steel chain is made from high grades of austenitic rust-proof steel.

These perform extremely well in environments that are acidic, alkaline, where direct contact with food is a consideration, where the chain will be exposed to water, and for very high or very low temperature locations (-40° to +400°C) where resistance to corrosion is a requirement.

Renold Stainless Steel chain should be selected when resistance to chemical action is critical. It is manufactured using FDA approved material and is prelubricated with USDA H1 approved lubricant.

Features and benefits:

- All components made from austenitic rust-proof steel
- All components receive surface finishing to remove stress raisers
- Lubrication that improves wear performance
- Tensile strength is approximately 65% that of standard carbon steel chain



Zinc Plated chain

This is a new zinc plating from Renold. Ideal for applications susceptible to light corrosion, the new plating has one consistent appearance, replacing the yellow and blue chromated versions previously available and delivering the same high levels of corrosion resistance.

Every component is plated before assembly and the chain has improved wear resistance under normal loads due to the new surface treatment.

Features and benefits:

- Hexavalent chrome free
- 250 hours corrosion protection during salt spray tests to DIN 50021
- Cold extruded, solid bush and roller delivering maximum Renold performance
- Plates and rollers shot peened to our exact specifications
- Wear and fatigue resistance that delivers maximum working life
- Lubrication that improves wear performance
- Tensile strength is approximately 85% that of standard carbon steel chain



Solution Chains from Renold

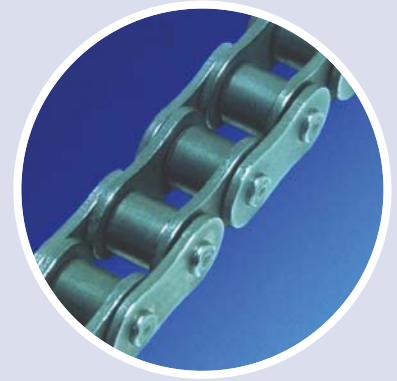
Renold Hydro-Service

Renold Hydro-Service chain delivers superior corrosion resistance, lasting as much as 30 times longer than standard carbon steel in applications that have to deal with water or salt spray. It is ideal for wash-down environments. Hydro-Service chain is also more economical, and stronger, than stainless steel.

Each component is mechanically treated prior to assembly to ensure consistent, secure protection. The surface treatment is free of hexavalent chrome, complying with legislation relating to environmental and health & safety considerations.

Features and benefits:

- Superior corrosion resistance
- Last as much as 30 times longer than standard carbon steel
- Hexavalent chrome free
- 350 hours corrosion protection during salt spray tests to DIN 50021
- Cold extruded, solid bush and roller delivering maximum Renold performance
- Plates and rollers shot peened to our exact specifications
- Wear and fatigue resistance that delivers maximum working life
- Lubrication that improves wear performance



Renold Sovereign

Some applications demand a specific solution. Trying to run a standard specification chain in a harsh environment will lead to dramatically reduced working life, possible chain failure and expensive downtime and all this can be avoided by specifying the chain that's designed for the job.

Abrasive environments such as brick and tile manufacture, which are characterised by dust and debris, are perfect examples of applications that demand the inclusion of Renold Sovereign chain. Renold Sovereign includes a particular surface treatment that ensures greatly increased wear resistance.

The chain is able to withstand the effect of dust and debris infiltrating the bearing areas between pins, bushes and plates, an effect that would quickly grind away a standard specification chain.

Features and benefits:

- Resilient, durable components
- Up to 3 times longer wear life than standard chain in harsh environments
- Up to 4 times longer wear life than low maintenance chain in harsh environments
- Reduced pin wear
- Suitable for high speed or heavy load applications
- Excellent reliability giving reduced maintenance costs
- Ideal for situations of irregular or restricted maintenance



Renold Klik-Top™

Klik-Top™ polymer block chain is quick to install, strong, and will cut costly downtime experienced when using conventional polymer block chain.

Klik-Top™ chain ensures reliability, quality and great value for money.

Ideal for conveying delicate items such as glass, wood and packaging.

You can have confidence in Klik-Top™ chain.

Features and benefits:

- New synthetic clip with special profile
- Protecting your goods from damage and the base chain from wear
- Rapidly exchangeable clip using Klik-Top™ mechanism
- Increase your productivity by reducing downtime
- 08B-1, 12B-1 and 16B-1 base chains available
- Maintenance free and stainless base chains available
- Different coloured clip marks the position of a connecting link

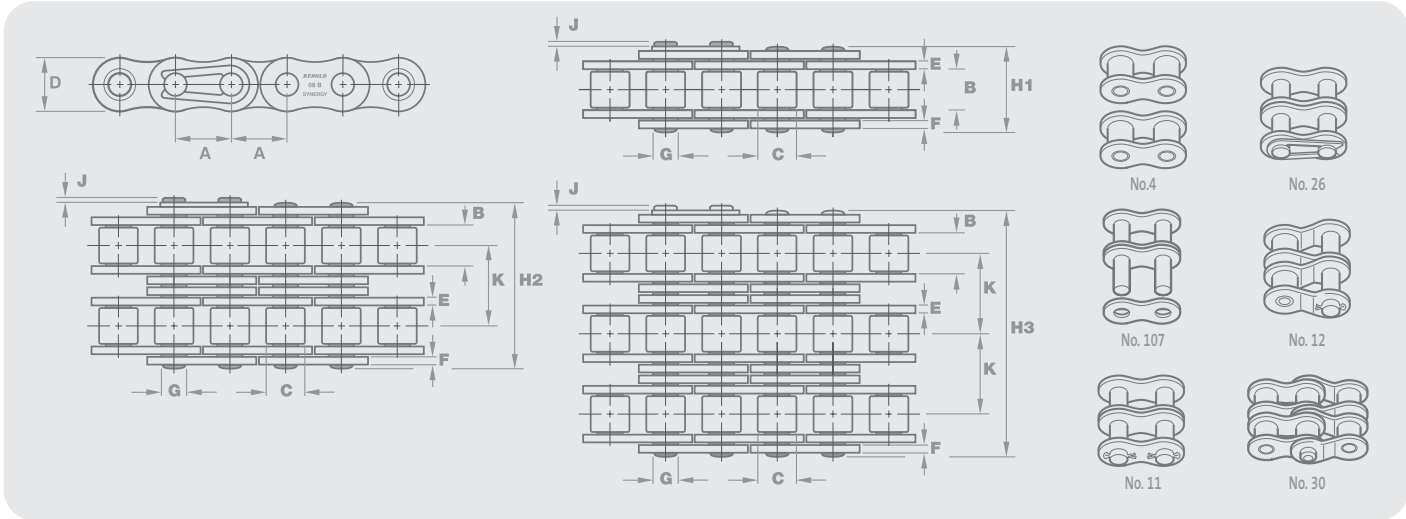


Renold Synergy® Roller Chain

European (BS) Standard / ISO 606



Section 1



Chain Ref.		Technical Details (mm)												Connecting Links						
Renold Chain No.	ISO Ref.	Pitch (inch)	Pitch (mm)	Inside Width	Roller Diam.	Plate Height	Plate Width Inner	Plate Width Outer	Pin Diam.	Pin Length	Conn. Link Extension	Transverse Pitch	ISO606 Tensile Strength (Newtons)	Weight (kg/m)	No. 4	No. 107	No. 11	No. 26	No. 12	No. 30
				MIN	MAX	MAX	MAX	MAX	MAX	MAX	MAX	NOM	MIN							

European (BS) Standard - Simplex

		A	A	B	C	D	E	F	G	H1	J	K								
110038*	06B-1	0.375	9.525	5.72	6.35	8.20	1.29	1.04	3.28	12.5	1.3	-	8900	0.39	✓	✓	-	✓	-	✓
110046	08B-1	0.500	12.700	7.75	8.51	11.70	1.55	1.55	4.45	16.5	2.0	-	17800	0.70	✓	✓	-	✓	-	✓
111044	-	0.500	12.700	3.30	7.75	9.60	1.13	0.98	4.09	9.8	2.0	-	8900	0.30	✓	✓	-	✓	-	✓
111046	-	0.500	12.700	4.88	7.75	9.60	1.13	0.98	4.09	11.4	2.0	-	8900	0.35	✓	✓	-	✓	-	✓
110044	-	0.500	12.700	5.21	8.51	11.70	1.55	1.55	4.45	14.5	2.0	-	17800	0.70	✓	✓	-	✓	-	✓
110056	10B-1	0.625	15.875	9.65	10.16	14.60	1.55	1.55	5.08	18.8	2.5	-	22200	0.96	✓	✓	-	✓	-	✓
110054	-	0.625	15.875	6.48	10.16	14.60	1.55	1.55	5.08	16.0	2.5	-	22200	0.81	✓	✓	-	✓	-	✓
110066	12B-1	0.750	19.050	11.68	12.07	16.00	1.81	1.81	5.72	21.9	2.6	-	28900	1.22	✓	✓	-	✓	-	✓
110088	16B-1	1.000	25.400	17.02	15.88	21.08	4.12	3.10	8.28	34.9	2.2	-	60000	2.80	✓	✓	-	✓	✓	-
110106	20B-1	1.250	31.750	19.56	19.05	26.42	4.62	3.61	10.19	39.8	2.7	-	95000	3.85	✓	✓	-	✓	✓	-
110127	24B-1	1.500	38.100	25.40	25.40	33.40	6.10	5.08	14.63	52.6	6.8	-	160000	7.45	✓	✓	✓	-	✓	-

European (BS) Standard - Duplex

		A	A	B	C	D	E	F	G	H2	J	K								
114038*	06B-2	0.375	9.525	5.72	6.35	8.20	1.29	1.04	3.28	23.0	1.3	10.24	16900	0.78	✓	✓	-	✓	-	✓
114046	08B-2	0.500	12.700	7.75	8.51	11.70	1.55	1.55	4.45	30.4	2.0	13.92	31100	1.38	✓	✓	-	✓	-	✓
114056	10B-2	0.625	15.875	9.65	10.16	14.60	1.55	1.55	5.08	35.4	2.5	16.59	44500	1.69	✓	✓	-	✓	-	✓
114066	12B-2	0.750	19.050	11.68	12.07	16.00	1.81	1.81	5.72	41.4	2.6	19.46	57800	2.42	✓	✓	-	✓	-	✓
114088	16B-2	1.000	25.400	17.02	15.88	21.08	4.12	3.10	8.28	66.8	2.2	31.88	106000	5.50	✓	✓	-	✓	✓	-
114106	20B-2	1.250	31.750	19.56	19.05	26.42	4.62	3.61	10.19	76.7	2.7	36.45	170000	7.80	✓	✓	-	✓	✓	-
114127	24B-2	1.500	38.100	25.40	25.40	33.40	6.10	5.08	14.63	101.3	6.8	48.36	280000	14.80	✓	✓	✓	-	✓	-

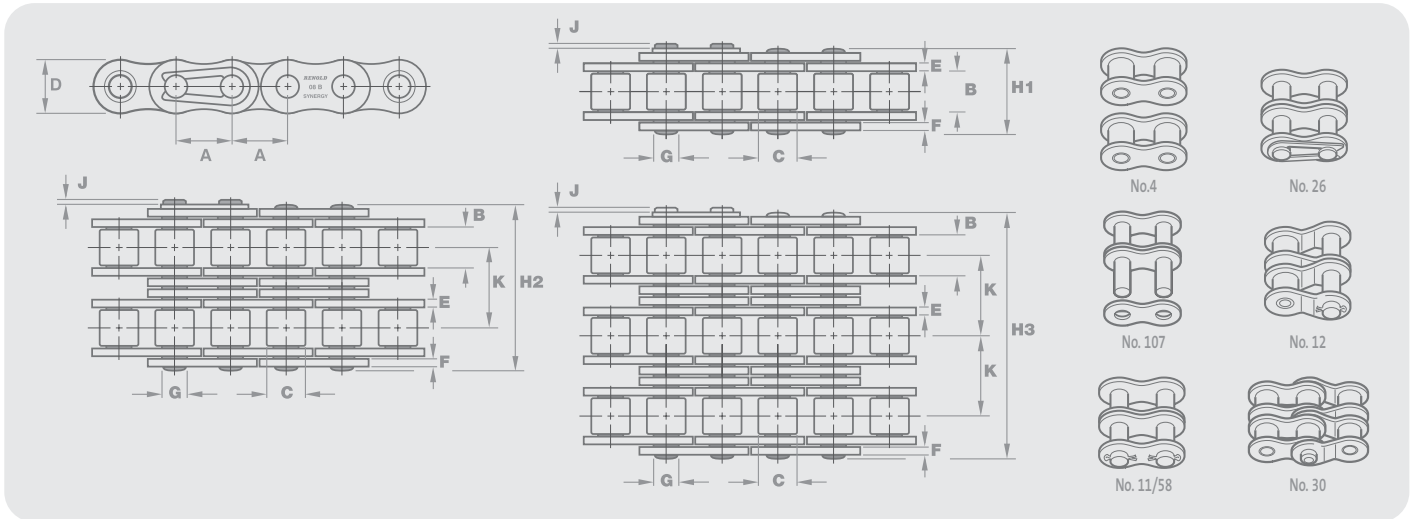
European (BS) Standard - Triplex

		A	A	B	C	D	E	F	G	H3	J	K								
116038*	06B-3	0.375	9.525	5.72	6.35	8.20	1.29	1.04	3.28	33.3	1.3	10.24	24900	1.11	✓	✓	-	✓	-	✓
116046	08B-3	0.500	12.700	7.75	8.51	11.70	1.55	1.55	4.45	44.3	2.0	13.92	44500	2.06	✓	✓	-	✓	-	✓
116056	10B-3	0.625	15.875	9.65	10.16	14.60	1.55	1.55	5.08	52.0	2.5	16.59	66700	2.54	✓	✓	-	✓	-	✓
116066	12B-3	0.750	19.050	11.68	12.07	16.00	1.81	1.81	5.72	60.9	2.6	19.46	86700	3.59	✓	✓	-	✓	-	✓
116088	16B-3	1.000	25.400	17.02	15.88	21.08	4.12	3.10	8.28	98.6	2.2	31.88	160000	8.15	✓	✓	-	✓	✓	-
116106	20B-3	1.250	31.750	19.56	19.05	26.42	4.62	3.61	10.19	113.2	2.7	36.45	250000	11.65	✓	✓	-	✓	✓	-
116127	24B-3	1.500	38.100	25.40	25.40	33.40	6.10	5.08	14.63	149.7	6.8	48.36	425000	22.25	✓	✓	✓	-	✓	-

* Straight side plates

Renold Synergy® Roller Chain

ANSI Standard / ISO 606



Chain Ref.		Technical Details (mm)											Connecting Links								
Renold Chain No.	ANSI Ref.	Pitch (inch)	Pitch (mm)	Inside Width	Roller Diam.	Plate Height	Plate Width Inner	Plate Width Outer	Pin Diam.	Pin Length	Conn. Link Extension	Transverse Pitch	ISO606 Tensile Strength (Newtons)	Weight kg/m	No. 4	No. 107	No. 11	No. 26	No. 58	No. 12	No. 30
				MIN	MAX	MAX	MAX	MAX	MAX	MAX	MAX	NOM	MIN								

ANSI Standard - Simplex

		A	A	B	C	D	E	F	G	H1	J	K									
129037 ^o	35-1	0.375	9.525	4.68	5.08	8.60	1.29	1.29	3.59	12.0	1.7	-	7900	0.35	✓	✓	-	✓	-	✓	✓
119047	40-1	0.500	12.700	7.85	7.92	11.20	1.55	1.55	3.97	16.4	2.1	-	13900	0.60	✓	✓	✓	✓	-	✓	✓
119057	50-1	0.625	15.875	9.40	10.16	14.60	2.04	2.04	5.08	20.4	2.7	-	21800	1.00	✓	✓	✓	✓	-	✓	✓
119067	60-1	0.750	19.050	12.57	11.91	17.50	2.45	2.45	5.94	25.3	2.6	-	31300	1.47	✓	✓	✓	✓	-	✓	✓
119087	80-1	1.000	25.400	15.75	15.88	24.13	3.25	3.25	7.94	32.7	3.0	-	55600	2.80	✓	✓	✓	✓	-	✓	✓
119107	100-1	1.250	31.750	18.90	19.05	30.17	4.06	4.06	9.54	39.7	4.2	-	87000	4.20	✓	✓	✓	✓	-	✓	✓
119127	120-1	1.500	38.100	25.23	22.23	36.20	4.80	4.80	11.11	49.3	5.3	-	125000	5.70	✓	✓	✓	✓	-	✓	✓
119147	140-1	1.750	44.450	25.23	25.40	42.23	5.61	5.61	12.71	52.9	5.2	-	170000	7.80	✓	✓	✓	✓	-	✓	✓
119167	160-1	2.000	50.800	31.55	28.58	48.26	6.35	6.35	14.29	63.1	6.5	-	223000	10.40	✓	✓	✓	✓	-	✓	✓

ANSI Standard - Duplex

		A	A	B	C	D	E	F	G	H2	J	K									
125037 ^o	35-2	0.375	9.525	4.68	5.08	8.60	1.29	1.29	3.59	22.2	1.7	10.13	15800	0.62	✓	✓	-	✓	-	✓	✓
115047	40-2	0.500	12.700	7.85	7.92	11.20	1.55	1.55	3.97	30.8	2.1	14.38	27800	1.20	✓	✓	✓	✓	-	✓	✓
115057	50-2	0.625	15.875	9.40	10.16	14.60	2.04	2.04	5.08	38.4	2.7	18.11	43600	1.98	✓	✓	✓	✓	-	✓	✓
115067	60-2	0.750	19.050	12.57	11.91	17.50	2.45	2.45	5.94	48.1	2.6	22.78	62600	2.91	✓	✓	✓	✓	-	✓	✓
115087	80-2	1.000	25.400	15.75	15.88	24.13	3.25	3.25	7.94	61.9	3.0	29.29	111200	5.50	✓	✓	✓	✓	-	✓	✓
115107	100-2	1.250	31.750	18.90	19.05	30.17	4.06	4.06	9.54	75.4	4.2	35.76	174000	8.40	✓	✓	✓	✓	-	✓	✓
115127	120-2	1.500	38.100	25.23	22.23	36.20	4.80	4.80	11.11	94.7	5.3	45.44	250000	11.00	✓	✓	✓	✓	-	✓	✓
115147	140-2	1.750	44.450	25.23	25.40	42.23	5.61	5.61	12.71	101.8	5.2	48.87	340000	15.50	✓	✓	✓	✓	-	✓	✓
115167	160-2	2.000	50.800	31.55	28.58	48.26	6.35	6.35	14.29	121.6	6.5	58.55	446000	20.60	✓	✓	✓	✓	-	✓	✓

ANSI Standard - Triplex

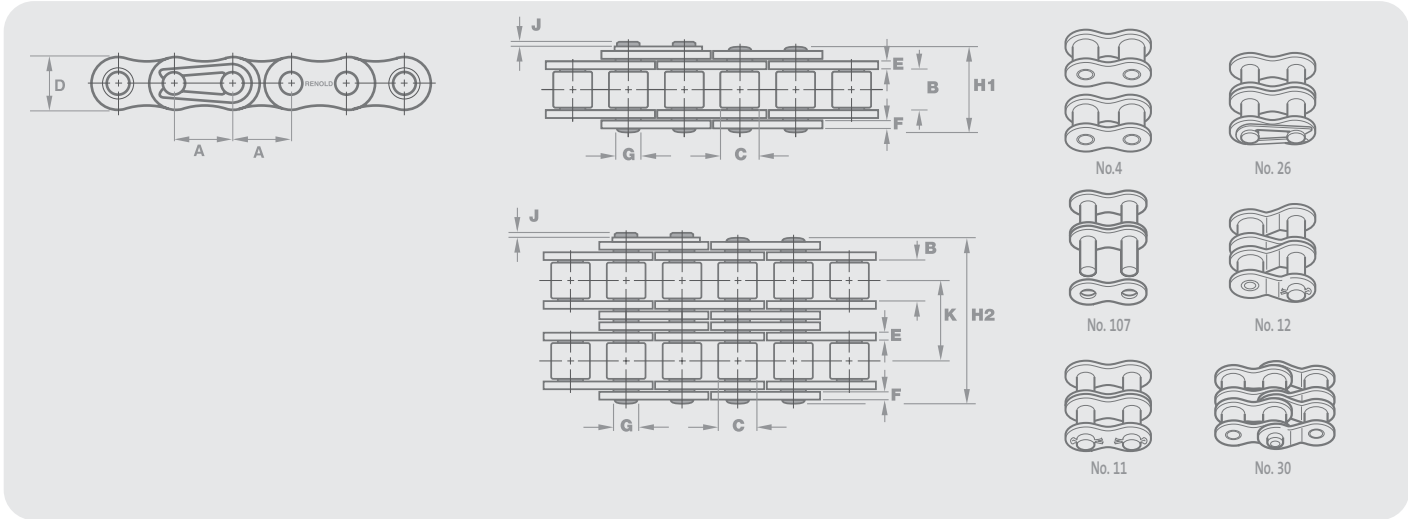
		A	A	B	C	D	E	F	G	H3	J	K									
127037 ^o	35-3	0.375	9.525	4.68	5.08	8.60	1.29	1.29	3.59	32.2	1.7	10.13	23700	0.93	✓	✓	-	✓	-	✓	✓
117047	40-3	0.500	12.700	7.85	7.92	11.20	1.55	1.55	3.97	45.1	2.1	14.38	41700	1.80	✓	✓	✓	✓	-	✓	✓
117057	50-3	0.625	15.875	9.40	10.16	14.60	2.04	2.04	5.08	56.5	2.7	18.11	65400	2.96	✓	✓	✓	✓	-	✓	✓
117067	60-3	0.750	19.050	12.57	11.91	17.50	2.45	2.45	5.94	70.9	2.6	22.78	93900	4.38	✓	✓	✓	✓	-	✓	✓
117087	80-3	1.000	25.400	15.75	15.88	24.13	3.25	3.25	7.94	91.2	3.0	29.29	166800	8.30	✓	✓	✓	✓	-	✓	✓
117107	100-3	1.250	31.750	18.90	19.05	30.17	4.06	4.06	9.54	111.2	4.2	35.76	261000	12.60	✓	✓	✓	✓	-	✓	✓
117127	120-3	1.500	38.100	25.23	22.23	36.20	4.80	4.80	11.11	140.2	5.3	45.44	375000	16.70	✓	✓	✓	✓	-	✓	✓
117147	140-3	1.750	44.450	25.23	25.40	42.23	5.61	5.61	12.71	150.7	5.2	48.87	510000	23.10	✓	✓	✓	✓	-	✓	✓
117167	160-3	2.000	50.800	31.55	28.58	48.26	6.35	6.35	14.29	180.2	6.5	58.55	669000	31.00	✓	✓	✓	✓	-	✓	✓

^o Bush Chain

Renold Syno® Nickel Plated

European (BS) Standard / ISO 606

Section 1



Chain Ref.		Technical Details (mm)												Connecting Links						
Renold Chain No.	ISO Ref.	Pitch (inch)	Pitch (mm)	Inside Width	Roller Diam.	Plate Height	Plate Width Inner	Plate Width Outer	Pin Diam.	Pin Length	Conn. Link Extension	Transverse Pitch	ISO606 Tensile Strength (Newtons)	Weight (kg/m)	No. 4	No. 107	No. 11	No. 26	No. 12	No. 30
				MIN	MAX	MAX	MAX	MAX	MAX	MAX	MAX	NOM	MIN							

European (BS) Standard - Simplex

		A	A	B	C	D	E	F	G	H1	J	K								
110438*	06B-1	0.375	9.525	5.72	6.35	8.20	1.29	1.04	3.28	12.5	1.1	-	8900	0.40	✓	✓	-	✓	-	✓
110446	08B-1	0.500	12.700	7.75	8.51	11.70	1.81	1.55	4.45	17.0	2.0	-	17800	0.73	✓	✓	✓	✓	-	✓
110456	10B-1	0.625	15.875	9.65	10.16	14.60	2.04	1.55	5.08	19.6	1.4	-	22200	1.01	✓	✓	✓	✓	-	✓
110466	12B-1	0.750	19.050	11.68	12.07	16.00	2.42	1.81	5.72	23.6	2.5	-	28900	1.30	✓	✓	✓	✓	-	✓
110488	16B-1	1.000	25.400	17.02	15.88	20.20	3.76	3.06	8.27	35.0	3.0	-	60000	2.72	✓	✓	✓	✓	-	✓
110506	20B-1	1.250	31.750	19.56	19.05	25.30	4.46	4.16	10.17	41.4	2.1	-	95000	3.75	✓	✓	✓	✓	-	✓
110527	24B-1	1.500	38.100	25.40	25.40	33.40	6.08	4.88	14.63	52.6	5.1	-	160000	7.35	✓	✓	✓	-	✓	✓

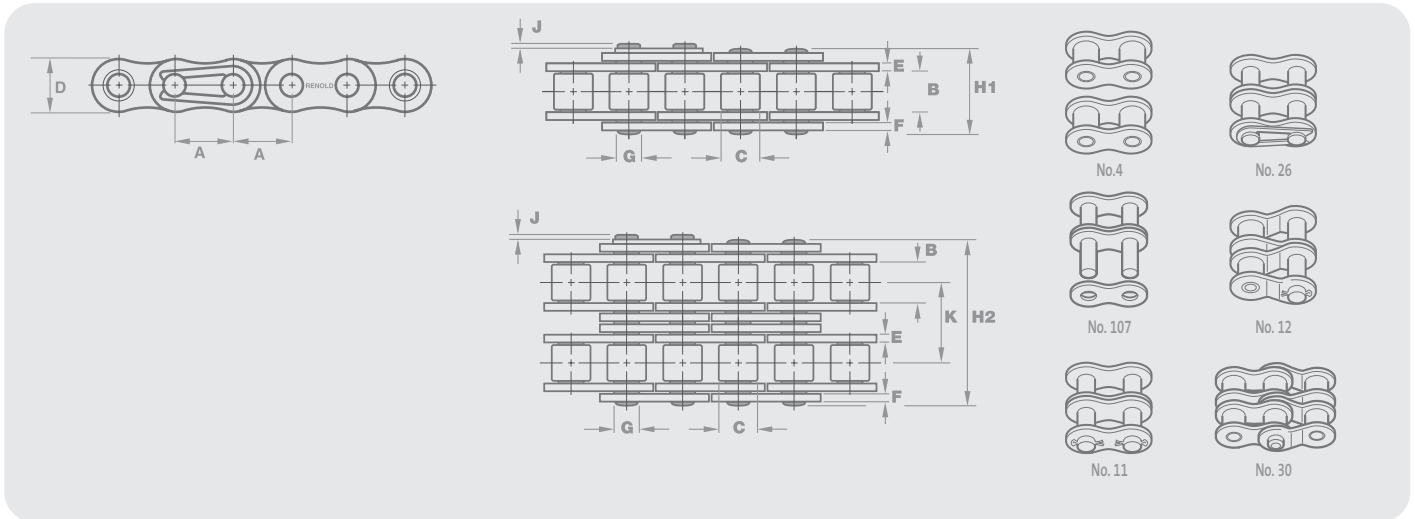
European (BS) Standard - Duplex

		A	A	B	C	D	E	F	G	H2	J	K								
114438*	06B-2	0.375	9.525	5.72	6.35	8.20	1.29	1.04	3.28	23.0	1.1	10.24	16900	0.76	✓	✓	-	✓	-	✓
114446	08B-2	0.500	12.700	7.75	8.51	11.70	1.81	1.55	4.45	30.9	2.0	13.92	31100	1.40	✓	✓	✓	✓	-	✓
114456	10B-2	0.625	15.875	9.65	10.16	14.60	2.04	1.55	5.08	36.2	1.4	16.59	44500	1.93	✓	✓	✓	✓	-	✓
114466	12B-2	0.750	19.050	11.68	12.07	16.00	2.42	1.81	5.72	43.1	2.5	19.46	57800	2.47	✓	✓	✓	✓	-	✓
114488	16B-2	1.000	25.400	17.02	15.88	20.20	3.76	3.06	8.27	66.8	3.0	31.88	106000	5.40	✓	✓	✓	✓	-	✓
114506	20B-2	1.250	31.750	19.56	19.05	25.30	4.46	4.16	10.17	77.8	2.1	36.45	170000	7.06	✓	✓	✓	✓	-	✓
114527	24B-2	1.500	38.100	25.40	25.40	33.40	6.08	4.88	14.63	101.0	5.0	48.36	280000	14.70	✓	✓	✓	✓	-	✓

* Straight side plates

Renold Syno® Nickel Plated

ISO 606 / ANSI Standard



Chain Ref.		Technical Details (mm)											Connecting Links							
Renold Chain No.	ANSI Ref.	Pitch (inch)	Pitch (mm)	Inside Width	Roller Diam.	Plate Height	Plate Width Inner	Plate Width Outer	Pin Diam.	Pin Length	Conn. Link Extension	Transverse Pitch	ISO606 Tensile Strength (Newtons)	Weight kg/m	No. 4	No. 107	No. 11	No. 26	No. 12	No. 30
				MIN	MAX	MAX	MAX	MAX	MAX	MAX	MAX	NOM	MIN							

ANSI Standard - Simplex

		A	A	B	C	D	E	F	G	H1	J	K								
119443	40-1	0.500	12.700	7.85	7.92	11.70	1.76	1.55	3.97	16.9	2.0	-	13900	0.67	✓	✓	✓	✓	-	✓
119453	50-1	0.625	15.875	9.40	10.16	14.60	2.42	2.04	5.08	21.1	2.5	-	21800	1.12	✓	✓	✓	✓	-	✓
119463	60-1	0.750	19.050	12.57	11.91	17.50	3.23	2.45	5.95	27.0	2.5	-	31300	1.73	✓	✓	✓	✓	-	✓
119483	80-1	1.000	25.400	15.75	15.88	23.00	4.06	3.06	7.92	33.7	3.1	-	55600	2.90	✓	✓	✓	✓	✓	✓
119503	100-1	1.250	31.750	18.90	19.05	25.30	4.46	4.16	9.53	40.6	3.5	-	87000	3.61	✓	✓	✓	-	✓	✓

ANSI Standard - Duplex

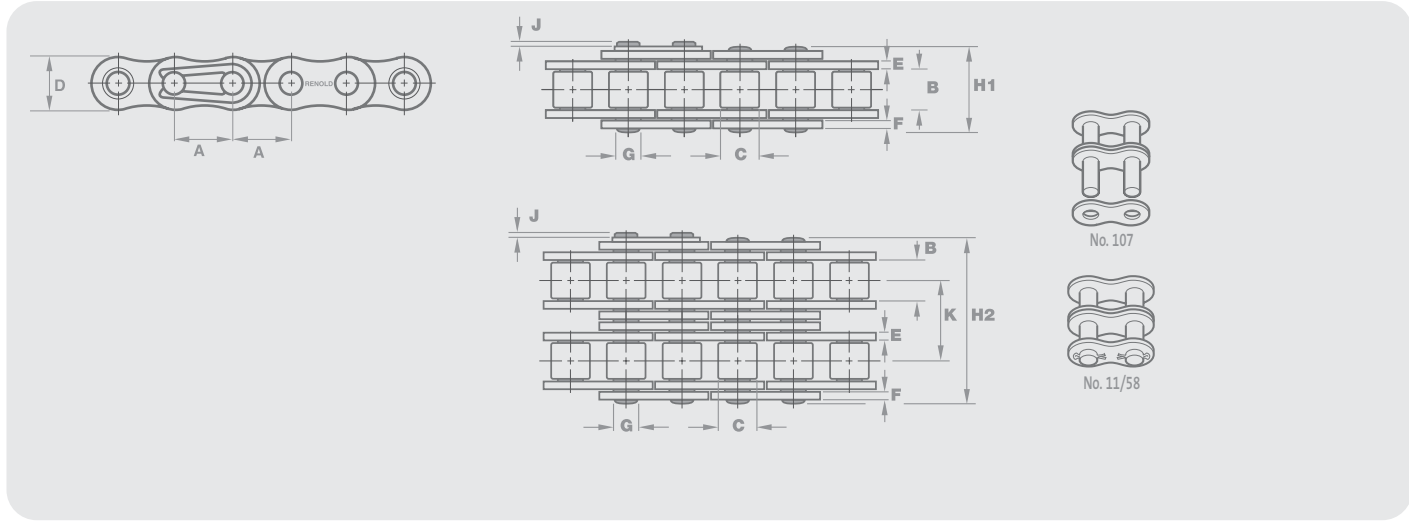
		A	A	B	C	D	E	F	G	H2	J	K								
115443	40-2	0.500	12.700	7.85	7.92	11.70	1.76	1.55	3.97	31.3	2.0	14.38	27800	1.30	✓	✓	✓	✓	-	✓
115453	50-2	0.625	15.875	9.40	10.16	14.60	2.42	2.04	5.08	39.2	2.5	18.11	43600	2.11	✓	✓	✓	✓	-	✓
115463	60-2	0.750	19.050	12.57	11.91	17.50	3.23	2.45	5.95	49.8	2.5	22.78	62600	3.46	✓	✓	✓	✓	-	✓
115483	80-2	1.000	25.400	15.75	15.88	23.00	4.06	3.06	7.92	63.0	3.1	29.29	111200	5.60	✓	✓	✓	✓	✓	✓
115503	100-2	1.250	31.750	18.90	19.05	25.30	4.46	4.16	9.53	76.4	3.5	35.76	174000	6.95	✓	✓	✓	-	✓	✓



Renold Syno® Polymer Bush

European (BS) Standard / ISO 606 / ANSI Standard

Section 1



Chain Ref.		Technical Details (mm)													Conn. Links		
Renold Chain No.	ISO/ANSI Ref.	Pitch (inch)	Pitch (mm)	Inside Width	Roller Diam.	Plate Height	Plate Width Inner	Plate Width Outer	Pin Diam.	Pin Length	Conn. Link Extension	Transverse Pitch	ISO606 Tensile Strength (Newtons)	Weight (kg/m)	No. 107	No. 11	No. 58
				MIN	MAX	MAX	MAX	MAX	MAX	MAX	MAX	NOM	MIN				

European (BS) Standard - Simplex

		A	A	B	C	D	E	F	G	H1	J	K					
520147	28B-1	1.75	44.45	30.99	27.94	37.08	7.62	6.35	12.71	64.2	6.8	-	200000	8.1	✓	✓	-
520166	32B-1	2.00	50.80	30.99	29.21	42.29	7.11	6.35	14.29	63.4	8.0	-	250000	10.1	✓	✓	-
520206	40B-1	2.25	63.50	39.30	39.37	52.96	8.13	8.13	19.85	78.2	9.5	-	355000	14.3	✓	✓	-

European (BS) Standard - Duplex

		A	A	B	C	D	E	F	G	H2	J	K					
524147	28B-2	1.75	44.45	30.99	27.94	37.08	7.62	6.35	12.71	123.7	6.8	59.56	360000	15.9	✓	✓	-
524166	32B-2	2.00	50.80	30.99	29.21	42.29	7.11	6.35	14.29	122.0	8.0	58.55	450000	17.1	✓	✓	-
524206	40B-2	2.25	63.50	39.30	39.37	52.96	8.13	8.13	19.85	150.5	9.5	72.29	694000	27.1	✓	✓	-

ANSI Standard - Simplex

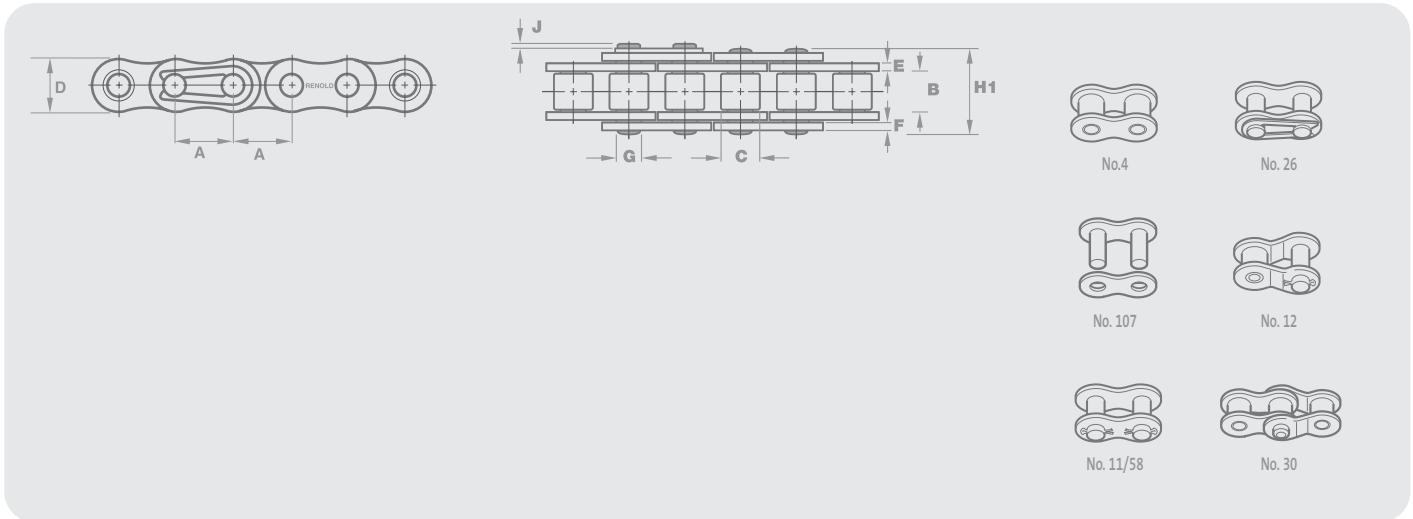
		A	A	B	C	D	E	F	G	H1	J	K					
529123	120-1	1.50	38.10	25.50	22.23	36.20	4.80	4.80	11.11	49.3	5.3	-	125000	5.2	✓	✓	✓
529143	140-1	1.75	44.45	25.73	25.40	42.23	5.61	5.61	12.71	52.9	5.2	-	170000	6.8	✓	✓	✓
529163	160-1	2.00	50.80	31.55	28.58	48.26	6.35	6.35	14.29	63.1	6.5	-	223000	8.9	✓	✓	✓
529203	200-1	2.50	63.50	38.00	39.67	60.33	8.13	8.13	19.85	76.9	9.0	-	347000	14.6	✓	✓	✓

ANSI Standard - Duplex

		A	A	B	C	D	E	F	G	H2	J	K					
525123	120-2	1.50	38.10	25.23	22.23	36.20	4.80	4.80	11.11	94.7	5.3	45.44	250000	10.3	✓	✓	✓
525143	140-2	1.75	44.45	25.23	25.40	42.23	5.61	5.61	12.71	101.8	5.2	48.87	340000	13.9	✓	✓	✓
525163	160-2	2.00	50.80	31.55	28.58	48.26	6.35	6.35	14.29	121.6	6.5	58.55	446000	17.6	✓	✓	✓
525203	200-2	2.50	63.50	37.85	39.67	60.33	8.13	8.13	19.85	148.5	9.0	71.55	694000	28.9	✓	✓	✓

Renold Syno[®] PC

European (BS) Standard / ISO 606



Chain Ref.		Technical Details (mm)											Connecting Links							
Renold Chain No.	ISO Ref.	Pitch (inch)	Pitch (mm)	Inside Width	Roller Diam.	Plate Height	Plate Width Inner	Plate Width Outer	Pin Diam.	Pin Length	Conn. Link Extension	Transverse Pitch	ISO606 Tensile Strength (Newtons)	Weight kg/m	No. 4	No. 107	No. 11	No. 26	No. 12	No. 30
				MIN	MAX	MAX	MAX	MAX	MAX	MAX	MAX	NOM	MIN							

European (BS) Standard - Simplex

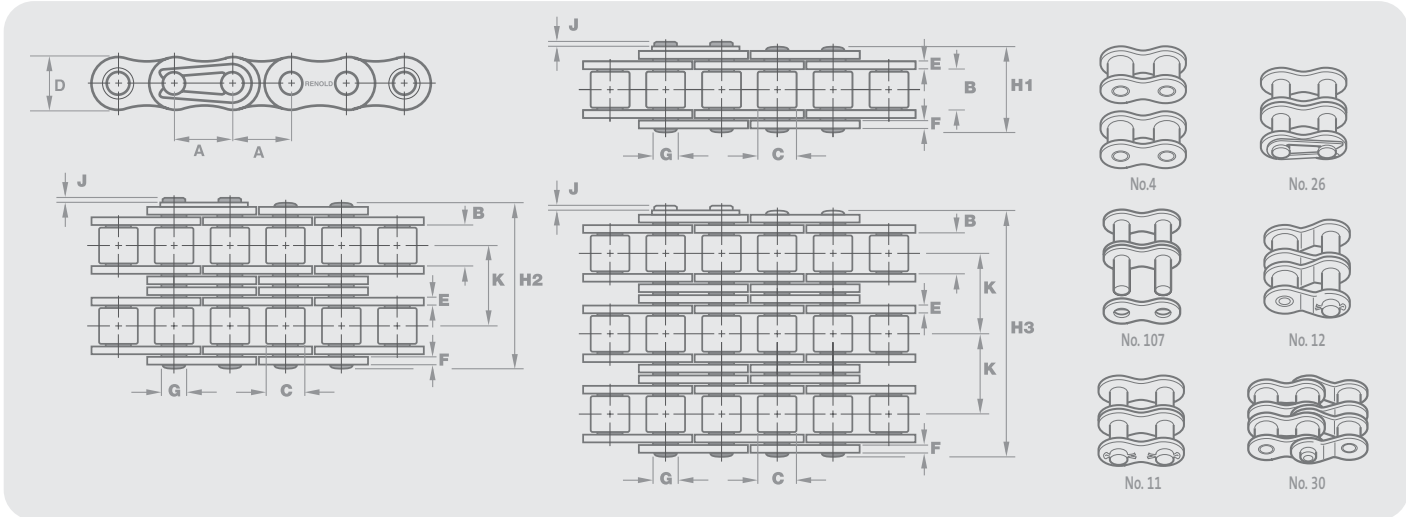
		A	A	B	C	D	E	F	G	H1	J	K								
1215359	06B-1	0.375	9.525	5.72	6.35	8.20	1.30	1.04	3.28	12.5	-	-	800	0.22	✓	✓	-	✓	✓	-
1215360	08B-1	0.500	12.700	7.75	8.51	11.50	1.80	1.55	4.45	16.5	-	-	1600	0.38	✓	✓	✓	✓	-	-

ANSI sizes available on request



Renold Hydro-Service

European (BS) Standard / ISO 606



Chain Ref.		Technical Details (mm)												Connecting Links						
Renold Chain No.	ISO Ref.	Pitch (inch)	Pitch (mm)	Inside Width	Roller Diam.	Plate Height	Plate Width Inner	Plate Width Outer	Pin Diam.	Pin Length	Conn. Link Extension	Transverse Pitch	ISO606 Tensile Strength (Newtons)	Weight (kg/m)	No. 4	No. 107	No. 11	No. 26	No. 12	No. 30
				MIN	MAX	MAX	MAX	MAX	MAX	MAX	MAX	NOM	MIN							

European (BS) Standard - Simplex

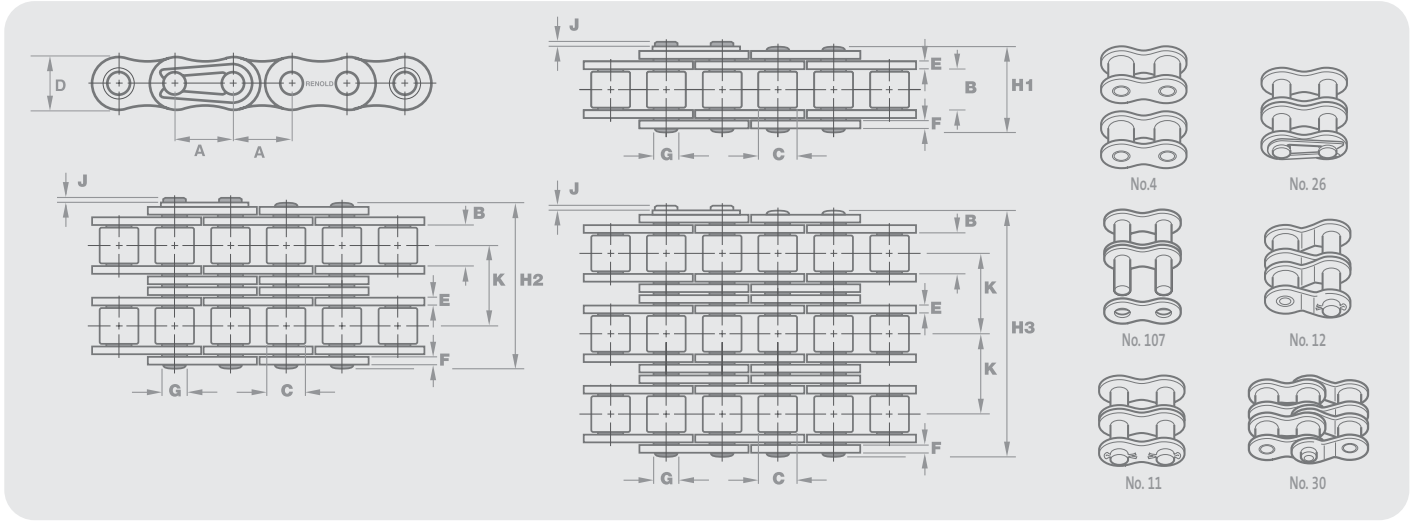
		A	A	B	C	D	E	F	G	H1	J	K								
530038	06B-1	0.375	9.525	5.72	6.35	8.26	1.30	1.04	3.28	13.5	3.3	-	8900	0.39	✓	✓	-	✓	-	✓
530046	08B-1	0.500	12.700	7.75	8.51	11.81	1.55	1.55	4.45	17.0	3.9	-	17800	0.70	✓	✓	-	✓	-	✓
530056	10B-1	0.625	15.880	9.65	10.16	14.73	1.55	1.55	5.08	18.8	1.3	-	22200	0.92	✓	✓	-	✓	-	✓
530066	12B-1	0.750	19.050	11.68	12.07	16.13	1.80	1.80	5.72	21.9	1.1	-	28900	1.20	✓	✓	-	✓	-	✓
530088	16B-1	1.000	25.400	17.02	15.88	21.08	4.12	3.10	8.28	36.1	5.4	-	60000	2.80	✓	✓	-	✓	✓	-
530106	20B-1	1.250	31.750	19.56	19.05	26.42	4.62	3.61	10.19	43.2	6.1	-	95000	3.85	✓	✓	-	✓	✓	-
530127	24B-1	1.500	38.100	25.40	25.40	33.40	6.10	5.08	14.63	53.4	6.6	-	160000	7.45	✓	✓	✓	-	✓	-

European (BS) Standard - Duplex

		A	A	B	C	D	E	F	G	H2	J	K								
534038	06B-2	0.375	9.525	5.72	6.35	8.26	1.30	1.04	3.28	23.0	1.3	10.24	16900	0.74	✓	✓	-	✓	-	✓
534046	08B-2	0.500	12.700	7.75	8.51	11.81	1.55	1.55	4.45	30.4	1.5	13.92	31100	1.38	✓	✓	-	✓	-	✓
534056	10B-2	0.625	15.875	9.65	10.16	14.73	1.55	1.55	5.08	35.4	1.3	16.59	44500	1.80	✓	✓	-	✓	-	✓
534066	12B-2	0.750	19.050	11.68	12.07	16.13	1.80	1.80	5.72	41.4	1.1	19.46	57800	2.40	✓	✓	-	✓	-	✓
534088	16B-2	1.000	25.400	17.02	15.88	21.08	4.12	3.10	8.28	68.0	5.4	31.88	106000	5.50	✓	✓	-	✓	✓	-
534106	20B-2	1.250	31.750	19.56	19.05	26.42	4.62	3.61	10.19	76.7	2.7	36.45	170000	7.80	✓	✓	-	✓	✓	-
534127	24B-2	1.500	38.100	25.40	25.40	33.40	6.10	5.08	14.63	101.3	6.8	48.36	280000	14.80	✓	✓	✓	-	✓	-

Renold Hydro-Service

ANSI Standard



Chain Ref.		Technical Details (mm)											Connecting Links							
Renold Chain No.	ANSI Ref.	Pitch (inch)	Pitch (mm)	Inside Width	Roller Diam.	Plate Height	Plate Width Inner	Plate Width Outer	Pin Diam.	Pin Length	Conn. Link Extension	Transverse Pitch	ISO606 Tensile Strength (Newtons)	Weight (kg/m)	No. 4	No. 107	No. 11	No. 26	No. 12	No. 30
				MIN	MAX	MAX	MAX	MAX	MAX	MAX	MAX	NOM	MIN							

ANSI Standard - Simplex

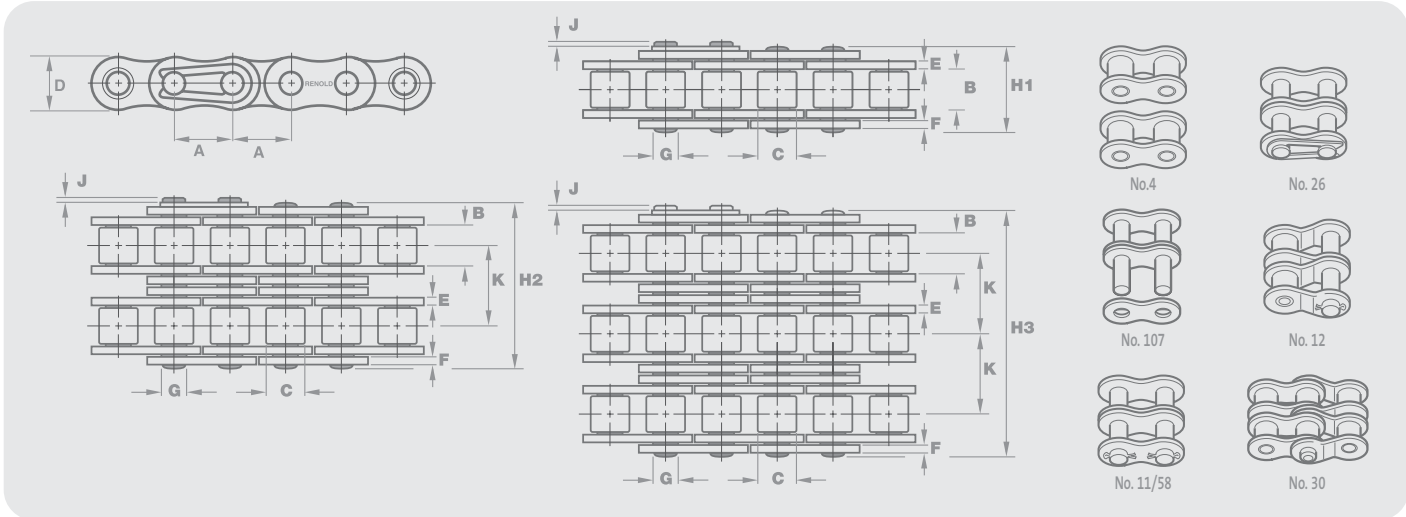
		A	A	B	C	D	E	F	G	H1	J	K								
539023	25-1	0.250	6.350	3.10	3.30	6.02	0.76	0.76	2.30	8.6	0.8	-	3500	0.13	✓	✓	-	-	-	✓
539033	35-1	0.375	9.525	4.68	5.08	9.05	1.30	1.30	3.59	12.0	1.1	-	7900	0.33	✓	✓	✓	✓	-	✓
539043	40-1	0.500	12.700	7.85	7.92	12.07	1.55	1.55	3.98	16.4	1.4	-	13900	0.60	✓	✓	✓	✓	-	✓
539053	50-1	0.625	15.875	9.40	10.16	15.09	2.03	2.03	5.09	20.4	1.1	-	21800	1.00	✓	✓	✓	✓	-	✓
539063	60-1	0.750	19.050	12.57	11.91	18.10	2.39	2.39	5.96	25.3	1.1	-	31300	1.47	✓	✓	✓	✓	-	✓
539083	80-1	1.000	25.400	15.75	15.88	24.13	3.25	3.25	7.94	32.7	3.0	-	55600	2.80	✓	✓	✓	✓	✓	-
539103	100-1	1.250	31.750	18.90	19.05	30.17	4.06	4.06	9.54	39.7	4.2	-	87000	4.20	✓	✓	✓	✓	✓	-
539123	120-1	1.500	38.100	25.23	22.23	36.20	4.80	4.80	11.11	49.3	5.3	-	125000	5.70	✓	✓	✓	✓	✓	-

ANSI Standard - Duplex

		A	A	B	C	D	E	F	G	H2	J	K								
535023	25-2	0.250	6.350	3.10	3.30	6.02	0.76	0.76	2.30	15.5	0.8	6.40	7000	0.26	✓	✓	-	-	-	✓
535033	35-2	0.375	9.525	4.68	5.08	9.05	1.30	1.30	3.59	22.2	1.1	10.13	15800	0.65	✓	✓	-	✓	-	✓
535043	40-2	0.500	12.700	7.85	7.92	12.07	1.55	1.55	3.98	30.8	1.4	14.38	27800	1.20	✓	✓	✓	✓	-	✓
535053	50-2	0.625	15.875	9.40	10.16	15.09	2.03	2.03	5.09	38.4	1.1	18.11	43600	2.10	✓	✓	✓	✓	-	✓
535063	60-2	0.750	19.050	12.57	11.91	18.10	2.39	2.39	5.96	48.1	1.1	22.78	62600	3.05	✓	✓	✓	✓	-	✓
535083	80-2	1.000	25.400	15.75	15.88	24.13	3.25	3.25	7.94	61.9	3.0	29.29	111200	5.50	✓	✓	✓	✓	✓	-
535103	100-2	1.250	31.750	18.90	19.05	30.17	4.06	4.06	9.54	75.4	4.2	35.76	174000	8.40	✓	✓	✓	✓	✓	-
535123	120-2	1.500	38.100	25.23	22.23	36.20	4.80	4.80	11.11	94.7	5.3	45.44	250000	11.00	✓	✓	✓	✓	✓	-

Renold Sovereign

European (BS) Standard / ISO 606 / ANSI Standard



Chain Ref.		Technical Details (mm)												Connecting Links						
Renold Chain No.	ISO Ref.	Pitch (inch)	Pitch (mm)	Inside Width	Roller Diam.	Plate Height	Plate Width Inner	Plate Width Outer	Pin Diam.	Pin Length	Conn. Link Extension	Transverse Pitch	ISO606 Tensile Strength (Newtons) MIN	Weight kg/m	No. 4	No. 107	No. 11	No. 26	No. 12	No. 30
				MIN	MAX	MAX	MAX	MAX	MAX	MAX	MAX	NOM	MIN							

European (BS) Standard - Simplex

		A	A	B	C	D	E	F	G	H1	J	K								
110846	08B-1	0.500	12.700	7.75	8.51	11.70	1.55	1.55	4.45	16.5	2.0	-	17800	0.70	✓	✓	-	✓	-	✓
110856	10B-1	0.625	15.875	9.65	10.16	14.60	1.55	1.55	5.08	18.8	2.5	-	22200	0.96	✓	✓	-	✓	-	✓
110866	12B-1	0.750	19.050	11.68	12.07	16.00	1.81	1.81	5.72	21.9	2.6	-	28900	1.22	✓	✓	-	✓	-	✓
110888	16B-1	1.000	25.400	17.02	15.88	21.08	4.12	3.10	8.28	34.9	2.2	-	60000	2.80	✓	✓	-	✓	✓	-

European (BS) Standard - Duplex

		A	A	B	C	D	E	F	G	H2	J	K								
114846	08B-2	0.500	12.700	7.75	8.51	11.70	1.55	1.55	4.45	30.4	2.0	13.92	31100	1.38	✓	✓	-	✓	-	✓
114856	10B-2	0.625	15.875	9.65	10.16	14.60	1.55	1.55	5.08	35.4	2.5	16.59	44500	1.69	✓	✓	-	✓	-	✓
114866	12B-2	0.750	19.050	11.68	12.07	16.00	1.81	1.81	5.72	41.4	2.6	19.46	57800	2.42	✓	✓	-	✓	-	✓
114888	16B-2	1.000	25.400	17.02	15.88	21.08	4.12	3.10	8.28	66.8	2.2	31.88	106000	5.50	✓	✓	-	✓	✓	-

Chain Ref.		Technical Details (mm)												Connecting Links							
Renold Chain No.	ANSI Ref.	Pitch (inch)	Pitch (mm)	Inside Width	Roller Diam.	Plate Height	Plate Width Inner	Plate Width Outer	Pin Diam.	Pin Length	Conn. Link Extension	Transverse Pitch	ISO606 Tensile Strength (Newtons) MIN	Weight kg/m	No. 4	No. 107	No. 11	No. 26	No. 58	No. 12	No. 30
				MIN	MAX	MAX	MAX	MAX	MAX	MAX	MAX	NOM	MIN								

ANSI Standard - Simplex

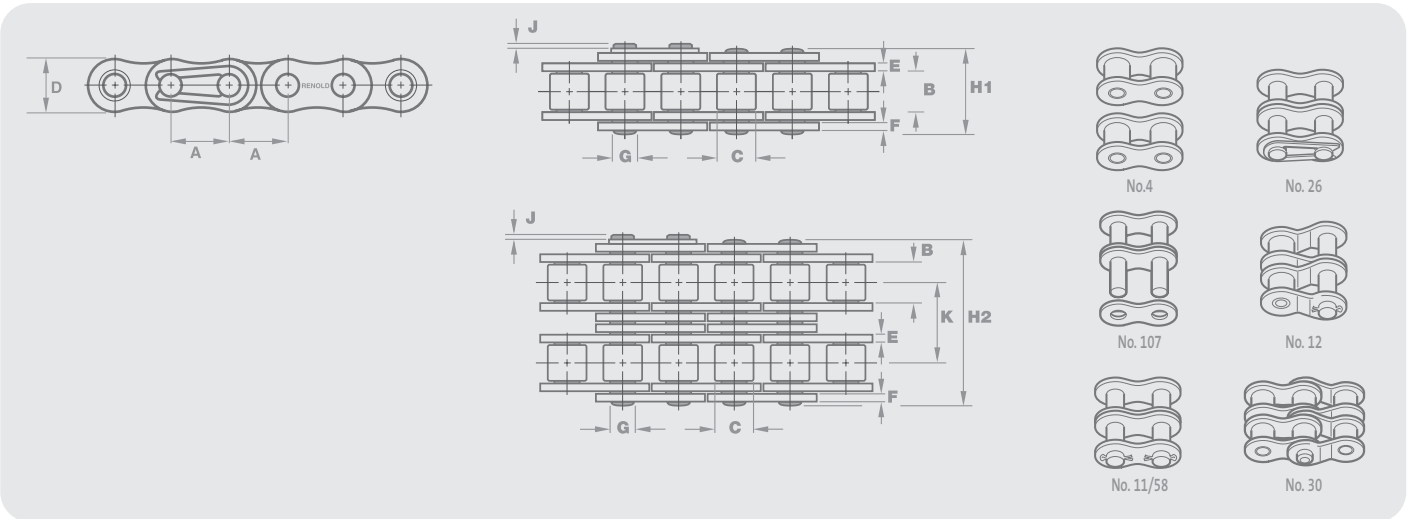
		A	A	B	C	D	E	F	G	H1	J	K									
SO40A1	40-1	0.500	12.700	7.85	7.92	11.20	1.55	1.55	3.97	16.4	2.1	-	13900	0.60	✓	✓	✓	✓	-	✓	✓
SO50A1	50-1	0.625	15.875	9.40	10.16	14.60	2.04	2.04	5.08	20.4	2.7	-	21800	1.00	✓	✓	✓	✓	-	✓	✓
SO60A1	60-1	0.750	19.050	12.57	11.91	17.50	2.45	2.45	5.94	25.3	2.6	-	31300	1.47	✓	✓	✓	✓	-	✓	✓
SO80A1	80-1	1.000	25.400	15.75	15.88	24.13	3.25	3.25	7.94	32.7	3.0	-	55600	2.80	✓	✓	✓	-	✓	✓	-

ANSI Standard - Duplex

		A	A	B	C	D	E	F	G	H1	J	K									
SO40A2	40-2	0.500	12.700	7.85	7.92	11.20	1.55	1.55	3.97	30.8	2.1	14.38	27800	1.20	✓	✓	✓	✓	-	✓	✓
SO50A2	50-2	0.625	15.875	9.40	10.16	14.60	2.04	2.04	5.08	38.4	2.7	18.11	43600	1.98	✓	✓	✓	✓	-	✓	✓
SO60A2	60-2	0.750	19.050	12.57	11.91	17.50	2.45	2.45	5.94	48.1	2.6	22.78	62600	2.91	✓	✓	✓	✓	-	✓	✓
SO80A2	80-2	1.000	25.400	15.75	15.88	24.13	3.25	3.25	7.94	61.9	3.0	29.29	111200	5.50	✓	✓	✓	-	✓	✓	-

Renold Stainless Steel Chain

European (BS) Standard / ISO 606 / ANSI Standard



Chain Ref.		Technical Details (mm)												Connecting Links						
Renold Chain No.	ISO/ANSI Ref.	Pitch (inch)	Pitch (mm)	Inside Width	Roller Diam.	Plate Height	Plate Width Inner	Plate Width Outer	Pin Diam.	Pin Length	Conn. Link Extension	Transverse Pitch	ISO606 Tensile Strength (Newtons)	Weight kg/m	No. 4	No. 107	No. 11	No. 26	No. 12	No. 30
				MIN	MAX	MAX	MAX	MAX	MAX	MAX	MAX	MAX	MAX		NOM	MIN				

European (BS) Standard - Simplex

		A	A	B	C	D	E	F	G	H1	J	K								
185118	05B-1	0.315	8.000	3.00	5.00	7.11	0.76	0.76	2.31	8.6	1.5	-	3200	0.18	✓	✓	-	✓	-	-
185302	06B-1	0.375	9.525	5.72	6.35	8.20	1.29	1.04	3.28	12.5	1.3	-	6850	0.39	✓	✓	-	✓	✓	-
181707	08B-1	0.500	12.700	7.75	8.51	11.70	1.55	1.55	4.45	16.5	2.0	-	12000	0.70	✓	✓	✓	✓	-	-
180280	10B-1	0.625	15.875	9.65	10.16	14.60	1.55	1.55	5.08	18.8	2.5	-	14700	0.96	✓	✓	✓	✓	-	-
185634	12B-1	0.750	19.050	11.68	12.07	16.00	1.81	1.81	5.72	21.9	2.6	-	18640	1.22	✓	✓	✓	✓	-	-
187900	16B-1	1.000	25.400	17.02	15.88	20.20	3.70	3.00	8.28	34.9	2.2	-	43160	2.70	✓	✓	✓	✓	-	-

European (BS) Standard - Duplex

		A	A	B	C	D	E	F	G	H2	J	K								
185122	06B-2	0.375	9.525	5.72	6.35	8.20	1.29	1.04	3.28	23.0	1.3	10.24	12150	0.78	✓	✓	-	✓	✓	-
185125	08B-2	0.500	12.700	7.75	8.51	11.70	1.55	1.55	4.45	30.4	2.0	13.92	23540	1.38	✓	✓	✓	✓	-	-
185126	10B-2	0.625	15.875	9.65	10.16	14.60	1.55	1.55	5.08	35.4	2.5	16.59	29400	1.69	✓	✓	✓	✓	-	-
185127	12B-2	0.750	19.050	11.68	12.07	16.00	1.81	1.81	5.72	41.4	2.6	19.46	37280	2.42	✓	✓	✓	✓	-	-
185128	16B-2	1.000	25.400	17.02	15.88	21.08	3.70	3.00	8.28	66.8	2.2	31.88	86320	5.40	✓	✓	✓	✓	-	-

ANSI Standard - Simplex

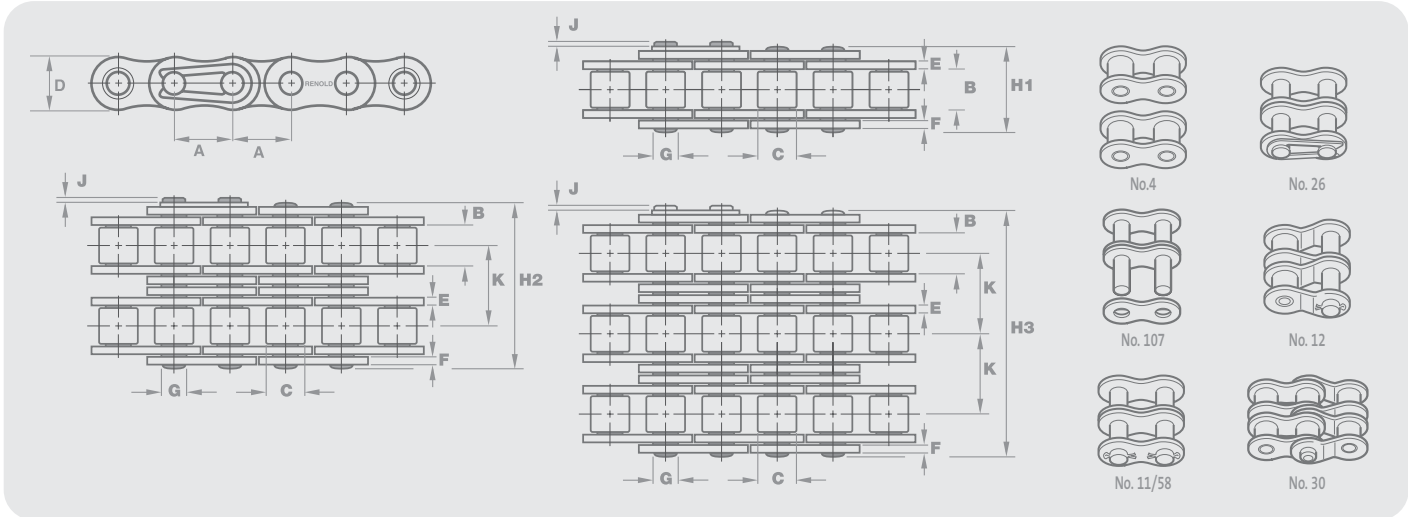
		A	A	B	C	D	E	F	G	H1	J	K								
545251	25-1	0.250	6.350	3.10	3.30	5.90	0.76	0.76	2.30	7.9	1.2	-	2500	0.12	✓	✓	-	✓	-	✓
545351	35-1	0.375	9.525	4.68	5.08	8.60	1.29	1.29	3.59	12.0	1.7	-	7600	0.35	✓	✓	-	✓	✓	✓
545401	40-1	0.500	12.700	7.85	7.92	11.20	1.55	1.55	3.97	16.4	2.1	-	10690	0.60	✓	✓	✓	✓	✓	✓
545501	50-1	0.625	15.875	9.40	10.16	14.60	2.04	2.04	5.08	20.4	2.7	-	16810	1.00	✓	✓	✓	✓	✓	✓
545601	60-1	0.750	19.050	12.57	11.91	17.50	2.45	2.45	5.94	25.3	2.6	-	30000	1.47	✓	✓	✓	✓	✓	✓
545801	80-1	1.000	25.400	15.75	15.88	23.00	3.00	3.00	7.94	32.7	3.0	-	51000	2.60	✓	✓	✓	✓	-	-

ANSI Standard - Duplex

		A	A	B	C	D	E	F	G	H2	J	K								
545352	35-2	0.375	9.525	4.68	5.08	8.60	1.29	1.29	3.59	22.2	1.7	10.13	15200	0.62	✓	✓	✓	✓	-	-
545402	40-2	0.500	12.700	7.85	7.92	11.20	1.55	1.55	3.97	30.8	2.1	14.38	21380	1.20	✓	✓	✓	✓	-	-
545502	50-2	0.625	15.875	9.40	10.16	14.60	2.04	2.04	5.08	38.4	2.7	18.11	33620	1.98	✓	✓	✓	✓	-	-
545602	60-2	0.750	19.050	12.57	11.91	17.50	2.45	2.45	5.94	48.1	2.6	22.78	60000	2.91	✓	✓	✓	✓	-	-
545802	80-2	1.000	25.400	15.75	15.88	24.13	3.00	3.00	7.93	62.7	5.4	29.29	101000	5.01	✓	✓	✓	-	-	-

Zinc Plated Chain

European (BS) Standard / ISO 606 / ANSI Standard



Chain Ref.		Technical Details (mm)												Connecting Links							
Renold Chain No.	ISO Ref.	Pitch (inch)	Pitch (mm)	Inside Width	Roller Diam.	Plate Height	Plate Width Inner	Plate Width Outer	Pin Diam.	Pin Length	Conn. Link Extension	Transverse Pitch	ISO606 Tensile Strength (Newtons)	Weight (kg/m)	No. 4	No. 107	No. 11	No. 26	No. 58	No. 12	No. 30
				MIN	MAX	MAX	MAX	MAX	MAX	MAX	MAX	NOM	MIN								

European (BS) Standard - Simplex

		A	A	B	C	D	E	F	G	H1	J	K									
581015	06B-1	0.375	9.525	5.72	6.35	8.20	1.29	1.04	3.28	12.5	1.3	-	7565	0.39	✓	✓	-	✓	-	-	✓
581803	08B-1	0.500	12.700	7.75	8.51	11.70	1.55	1.55	4.45	16.5	2.0	-	15130	0.70	✓	✓	-	✓	-	-	✓
583109	10B-1	0.625	15.875	9.65	10.16	14.60	1.55	1.55	5.08	18.8	2.5	-	18870	0.96	✓	✓	-	✓	-	-	✓
583620	12B-1	0.750	19.050	11.68	12.07	16.00	1.81	1.81	5.72	21.9	2.6	-	24565	1.22	✓	✓	-	✓	-	-	✓
584319	16B-1	1.000	25.400	17.02	15.88	21.08	4.12	3.10	8.28	34.9	2.2	-	51000	2.80	✓	✓	-	✓	-	-	✓
585187	20B-1	1.250	31.750	19.56	19.05	26.42	4.62	3.61	10.19	39.8	2.7	-	80750	3.85	✓	✓	-	✓	-	-	✓
585466	24B-1	1.500	38.100	25.40	25.40	33.40	6.10	5.08	14.63	52.6	6.8	-	136000	7.45	✓	✓	✓	-	-	-	✓

ANSI sizes available on request



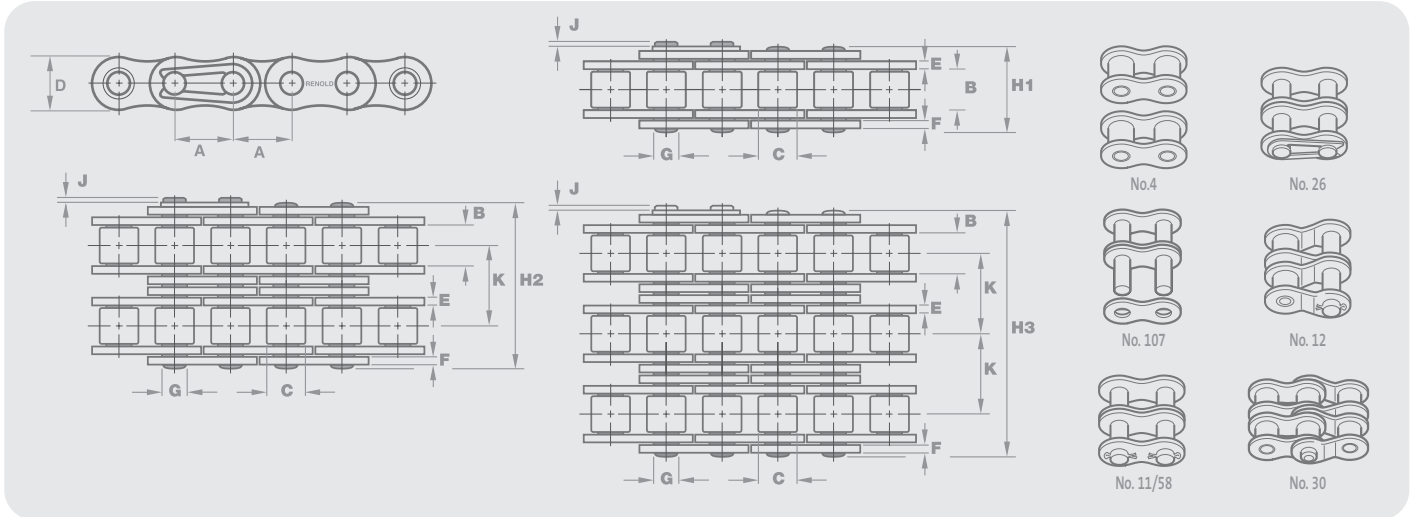
Stainless Steel Chain



Zinc Plated Chain

Nickel Plated Chain

European (BS) Standard / ISO 606 / ANSI Standard



Chain Ref.		Technical Details (mm)											Connecting Links								
Renold Chain No.	ISO/ANSI Ref.	Pitch (inch)	Pitch (mm)	Inside Width	Roller Diam.	Plate Height	Plate Width Inner	Plate Width Outer	Pin Diam.	Pin Length	Conn. Link Extension	Transverse Pitch	ISO606 Tensile Strength (Newtons)	Weight kg/m	No. 4	No. 107	No. 11	No. 26	No. 58	No. 12	No. 30
				MIN	MAX	MAX	MAX	MAX	MAX	MAX	MAX	NOM	MIN								

European (BS) Standard - Simplex

		A	A	B	C	D	E	F	G	H1	J	K									
550038	06B-1	0.375	9.525	5.72	6.35	8.20	1.29	1.04	3.28	12.5	1.3	-	7565	0.39	✓	✓	-	✓	-	-	✓
550046	08B-1	0.500	12.700	7.75	8.51	11.70	1.55	1.55	4.45	16.5	2.0	-	15130	0.70	✓	✓	-	✓	-	-	✓
550056	10B-1	0.625	15.875	9.65	10.16	14.60	1.55	1.55	5.08	18.8	2.5	-	18870	0.96	✓	✓	-	✓	-	-	✓
550066	12B-1	0.750	19.050	11.68	12.07	16.00	1.81	1.81	5.72	21.9	2.6	-	24565	1.22	✓	✓	-	✓	-	-	✓
550088	16B-1	1.000	25.400	17.02	15.88	21.08	4.12	3.10	8.28	34.9	2.2	-	51000	2.80	✓	✓	-	✓	-	-	✓
550127	24B-1	1.500	38.100	25.40	25.40	33.40	6.10	5.08	14.63	52.6	6.8	-	136000	7.45	✓	✓	✓	-	-	✓	-
550147	28B-1	1.750	44.450	30.99	27.94	37.08	7.62	6.35	15.90	64.2	6.8	-	170000	9.35	✓	✓	✓	-	-	✓	-
550166	32B-1	2.000	50.800	30.99	29.21	42.29	7.11	6.35	17.81	63.4	8.0	-	212500	10.10	✓	✓	✓	-	-	✓	-

ANSI Standard - Simplex

		A	A	B	C	D	E	F	G	H1	J	K									
559043	40-1	0.500	12.700	7.85	7.92	11.20	1.55	1.55	3.97	16.4	2.1	-	11815	0.60	✓	✓	✓	✓	-	✓	✓
559053	50-1	0.625	15.875	9.40	10.16	14.60	2.04	2.04	5.08	20.4	2.7	-	18530	1.00	✓	✓	✓	✓	-	✓	✓
559063	60-1	0.750	19.050	12.57	11.91	17.50	2.45	2.45	5.94	25.3	2.6	-	26605	1.47	✓	✓	✓	✓	-	✓	✓
559083	80-1	1.000	25.400	15.75	15.88	24.13	3.25	3.25	7.94	32.7	3.0	-	47260	2.80	✓	✓	✓	-	✓	✓	✓
559103	100-1	1.250	31.750	18.90	19.05	30.17	4.06	4.06	9.54	39.7	4.2	-	73950	4.20	✓	✓	✓	-	✓	✓	✓

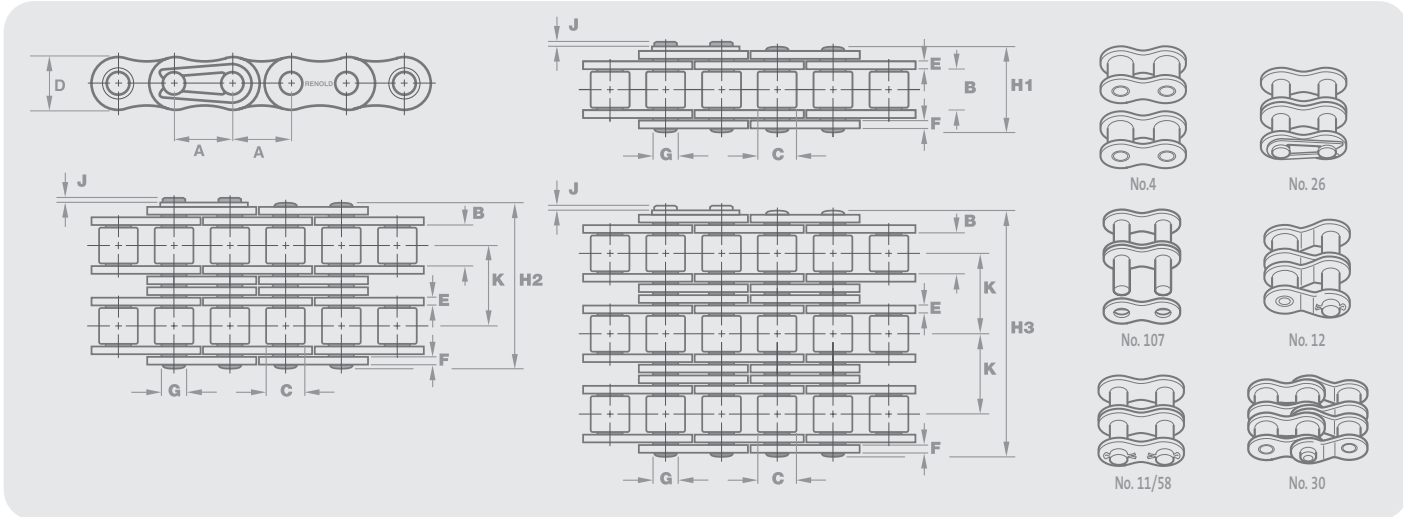


Renold Roller Chain

European (BS) Standard / ISO 606



Section 1



Chain Ref.		Technical Details (mm)												Connecting Links									
Renold Chain No.	ISO Ref.	Pitch (inch)	Pitch (mm)	Inside Width	Roller Diam.	Plate Height	Plate Width Inner	Plate Width Outer	Pin Diam.	Pin Length	Conn. Link Extension	Transverse Pitch	ISO606 Tensile Strength (Newtons)	Weight	No. 4	No. 107	No. 11	No. 26	No. 12	No. 30	No. 69	No. 87	No. 211
				MIN	MAX	MAX	MAX	MAX	MAX	MAX	MAX	NOM	MIN	kg/m									

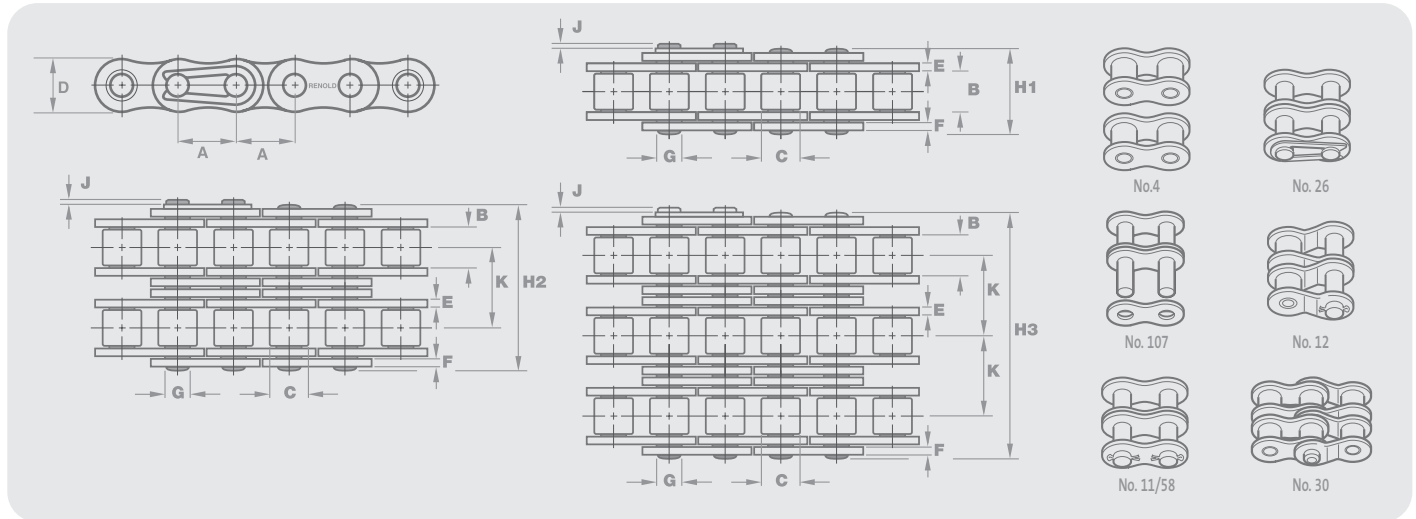
European (BS) Standard - Simplex

		A	A	B	C	D	E	F	G	H1	J	K												
1141	-	0.157	4.000	2.70	2.50	4.10	0.57	0.57	1.65	6.8	1.2	-	1800	0.07	✓	✓	✓	-	-	-	-	-	-	-
1151	03	0.197	5.000	2.50	3.20	4.10	0.60	0.60	1.49	7.4	1.3	-	2200	0.08	✓	✓	-	✓	-	✓	-	-	-	-
1161	04	0.236	6.000	2.80	4.00	5.00	0.60	0.60	1.85	7.4	1.0	-	3000	0.12	✓	✓	-	✓	-	✓	-	-	-	-
05B1	05B-1	0.315	8.000	3.00	5.00	7.11	0.76	0.76	2.31	8.6	1.5	-	4400	0.18	✓	✓	-	✓	-	✓	-	-	-	-
06B1*	06B-1	0.375	9.525	5.72	6.35	8.20	1.29	1.04	3.28	12.5	1.3	-	8900	0.39	✓	✓	-	✓	-	✓	-	-	-	-
08B1	08B-1	0.500	12.700	7.75	8.51	11.70	1.55	1.55	4.45	16.5	2.0	-	17800	0.70	✓	✓	-	✓	-	✓	-	-	-	-
111043	-	0.500	12.700	4.88	7.75	9.60	1.13	0.98	4.09	11.4	2.0	-	8900	0.35	✓	✓	-	✓	-	✓	-	-	-	-
111041	-	0.500	12.700	3.30	7.75	9.60	1.13	0.98	4.09	9.8	2.0	-	8900	0.30	✓	✓	-	✓	-	✓	-	-	-	-
110043	-	0.500	12.700	5.21	8.51	11.70	1.55	1.55	4.45	14.5	2.0	-	17800	0.70	✓	✓	-	✓	-	✓	-	-	-	-
10B1	10B-1	0.625	15.875	9.65	10.16	14.60	1.55	1.55	5.08	18.8	2.5	-	22200	0.96	✓	✓	-	✓	-	✓	-	-	-	-
110053	-	0.625	15.875	6.48	10.16	14.60	1.55	1.55	5.08	16.0	2.5	-	22200	0.81	✓	✓	-	✓	-	✓	-	-	-	-
12B1	12B-1	0.750	19.050	11.68	12.07	16.00	1.81	1.81	5.72	21.9	2.6	-	28900	1.22	✓	✓	-	✓	-	✓	-	-	-	-
16B1	16B-1	1.000	25.400	17.02	15.88	21.08	4.12	3.10	8.28	34.9	2.2	-	60000	2.80	✓	✓	-	✓	✓	-	-	-	-	-
20B1	20B-1	1.250	31.750	19.56	19.05	26.42	4.62	3.61	10.19	39.8	2.7	-	95000	3.85	✓	✓	-	✓	✓	-	-	-	-	-
24B1	24B-1	1.500	38.100	25.40	25.40	33.40	6.10	5.08	14.63	52.6	6.8	-	160000	7.45	✓	✓	✓	-	✓	-	-	-	-	-
28B1	28B-1	1.750	44.450	30.99	27.94	37.08	7.62	6.35	15.90	64.2	6.8	-	200000	9.35	✓	✓	✓	-	✓	-	-	-	-	-
32B1	32B-1	2.000	50.800	30.99	29.21	42.29	7.11	6.35	17.81	63.4	8.0	-	250000	10.10	✓	✓	✓	-	✓	-	-	-	-	-
40B1	40B-1	2.500	63.500	39.30	39.37	52.96	8.13	8.13	22.89	78.2	9.5	-	355000	16.50	✓	✓	✓	-	✓	-	-	-	-	-
180709	-	3.000	76.200	45.72	48.26	66.04	12.19	10.16	29.24	99.1	10.5	-	560000	25.80	✓	✓	✓	-	✓	-	-	✓	-	-
180781	-	3.500	88.900	53.34	53.98	80.52	13.72	12.70	34.30	114.6	11.7	-	778435	35.20	✓	✓	✓	-	✓	-	-	-	-	✓
110325	-	4.000	101.600	60.96	63.50	90.17	15.24	13.72	39.40	130.9	13.0	-	711800	49.30	✓	✓	-	-	-	-	-	-	-	-

* Straight side plates

Renold Roller Chain

European (BS) Standard / ISO 606



Chain Ref.		Technical Details (mm)													Connecting Links									
Renold Chain No.	ISO Ref.	Pitch (inch)	Pitch (mm)	Inside Width	Roller Diam.	Plate Height	Plate Width Inner	Plate Width Outer	Pin Diam.	Pin Length	Conn. Link Extension	Transverse Pitch	ISO606 Tensile Strength (Newtons)	Weight kg/m	No. 4	No. 107	No. 11	No. 26	No. 12	No. 30	No. 69	No. 87	No. 211	
				MIN	MAX	MAX	MAX	MAX	MAX	MAX	MAX	NOM	MIN											

European (BS) Standard - Duplex

		A	A	B	C	D	E	F	G	H1	J	K												
05B2	05B-2	0.315	8.000	3.00	5.00	7.11	0.76	0.76	2.31	14.3	1.5	5.64	7800	0.36	✓	✓	-	✓	-	✓	-	-	-	-
06B2*	06B-2	0.375	9.525	5.72	6.35	8.20	1.29	1.04	3.28	23.0	1.3	10.24	16900	0.78	✓	✓	-	✓	-	✓	-	-	-	-
08B2	08B-2	0.500	12.700	7.75	8.51	11.70	1.55	1.55	4.45	30.4	2.0	13.92	31100	1.38	✓	✓	-	✓	-	✓	-	-	-	-
10B2	10B-2	0.625	15.875	9.65	10.16	14.60	1.55	1.55	5.08	35.4	2.5	16.59	44500	1.69	✓	✓	-	✓	-	✓	-	-	-	-
12B2	12B-2	0.750	19.050	11.68	12.07	16.00	1.81	1.81	5.72	41.4	2.6	19.46	57800	2.42	✓	✓	-	✓	-	✓	-	-	-	-
16B2	16B-2	1.000	25.400	17.02	15.88	21.08	4.12	3.10	8.28	66.8	2.2	31.88	106000	5.50	✓	✓	-	✓	✓	-	-	-	-	-
20B2	20B-2	1.250	31.750	19.56	19.05	26.42	4.62	3.61	10.19	76.7	2.7	36.45	170000	7.80	✓	✓	-	✓	✓	-	-	-	-	-
24B2	24B-2	1.500	38.100	25.40	25.40	33.40	6.10	5.08	14.63	101.3	6.8	48.36	280000	14.80	✓	✓	✓	-	✓	-	-	-	-	-
28B2	28B-2	1.750	44.450	30.99	27.94	37.08	7.62	6.35	15.90	123.7	6.8	59.56	360000	18.60	✓	✓	✓	-	✓	-	-	-	-	-
32B2	32B-2	2.000	50.800	30.99	29.21	42.29	7.11	6.35	17.81	122.0	8.0	58.55	450000	20.10	✓	✓	✓	-	✓	-	-	-	-	-
40B2	40B-2	2.500	63.500	39.30	39.37	52.96	8.13	8.13	22.89	150.5	9.5	72.29	630000	16.50	✓	✓	✓	-	✓	-	-	-	-	-
180721	-	3.000	76.200	45.72	48.26	66.04	12.19	10.16	29.24	190.4	10.5	91.21	1000000	51.00	✓	✓	✓	-	-	-	✓	-	-	-
180760	-	3.500	88.900	53.34	53.98	80.52	12.45	13.72	34.30	221.2	11.7	106.60	1557000	69.70	✓	✓	✓	-	-	-	-	-	-	-
114325	-	4.000	101.600	60.96	63.50	90.17	15.24	13.72	39.40	250.8	13.0	119.90	1423420	97.50	✓	✓	✓	-	-	-	-	-	-	-

European (BS) Standard - Triplex

		A	A	B	C	D	E	F	G	H1	J	K												
05B3	05B-3	0.315	8.000	3.00	5.00	7.11	0.76	0.76	2.31	19.9	1.5	5.64	11100	0.54	✓	✓	-	✓	-	✓	-	-	-	-
06B3*	06B-3	0.375	9.525	5.72	6.35	8.20	1.29	1.04	3.28	33.3	1.3	10.24	24900	1.11	✓	✓	-	✓	-	✓	-	-	-	-
08B3	08B-3	0.500	12.700	7.75	8.51	11.70	1.55	1.55	4.45	44.3	2.0	13.92	44500	2.06	✓	✓	-	✓	-	✓	-	-	-	-
10B3	10B-3	0.625	15.875	9.65	10.16	14.60	1.55	1.55	5.08	52.0	2.5	16.59	66700	2.54	✓	✓	-	✓	-	✓	-	-	-	-
12B3	12B-3	0.750	19.050	11.68	12.07	16.00	1.81	1.81	5.72	60.9	2.6	19.46	86700	3.59	✓	✓	-	✓	-	✓	-	-	-	-
16B3	16B-3	1.000	25.400	17.02	15.88	21.08	4.12	3.10	8.28	98.6	2.2	31.88	160000	8.15	✓	✓	-	✓	✓	-	-	-	-	-
20B3	20B-3	1.250	31.750	19.56	19.05	26.42	4.62	3.61	10.19	113.2	2.7	36.45	250000	11.65	✓	✓	-	✓	✓	-	-	-	-	-
24B3	24B-3	1.500	38.100	25.40	25.40	33.40	6.10	5.08	14.63	149.7	6.8	48.36	425000	22.25	✓	✓	✓	-	✓	-	-	-	-	-
28B3	28B-3	1.750	44.450	30.99	27.94	37.08	7.62	6.35	15.90	183.3	6.8	59.56	530000	28.00	✓	✓	✓	-	✓	-	-	-	-	-
32B3	32B-3	2.000	50.800	30.99	29.21	42.29	7.11	6.35	17.81	180.5	8.0	58.55	670000	30.00	✓	✓	✓	-	✓	-	-	-	-	-
40B3	40B-3	2.500	63.500	39.30	39.37	52.96	8.13	8.13	22.89	222.8	9.5	72.29	950000	48.90	✓	✓	✓	-	✓	-	-	-	-	-
180739	-	3.000	76.200	45.72	48.26	66.04	12.19	10.16	29.24	281.6	10.5	91.21	1500000	76.20	✓	✓	✓	-	-	-	-	-	-	-

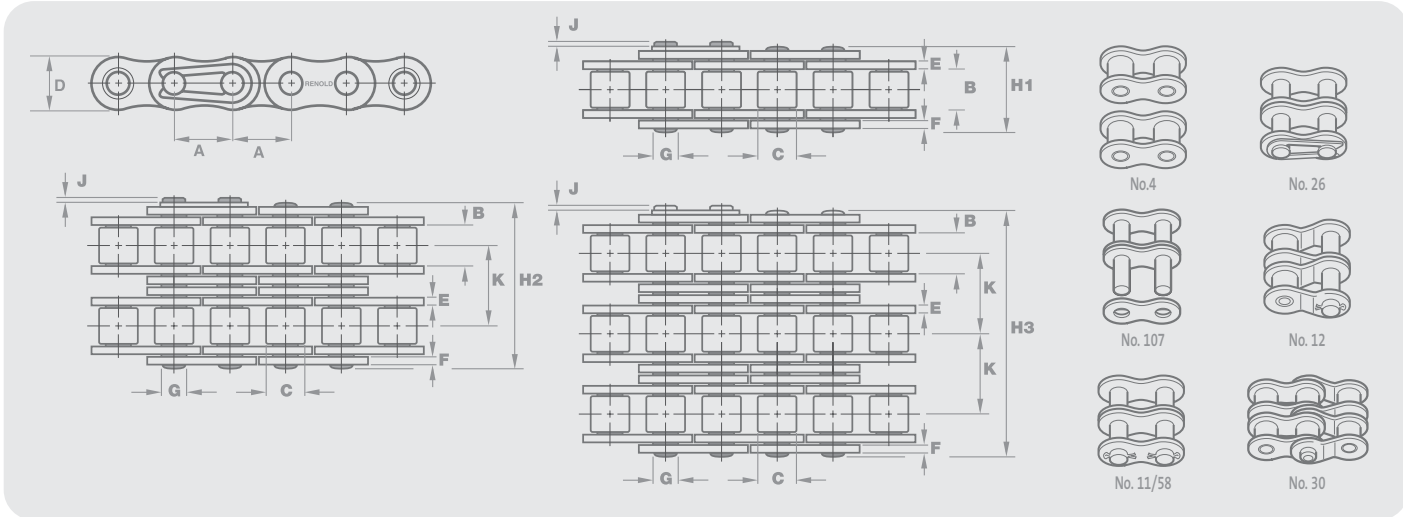
* Straight side plates

Renold Roller Chain

ANSI Standard / ISO 606



Section 1



Chain Ref.		Technical Details (mm)												Connecting Links							
Renold Chain No.	ANSI Ref.	Pitch (inch)	Pitch (mm)	Inside Width	Roller Diam.	Plate Height	Plate Width Inner	Plate Width Outer	Pin Diam.	Pin Length	Conn. Link Extension	Transverse Pitch	ISO606 Tensile Strength (Newtons)	Weight kg/m	No. 4	No. 107	No. 11	No. 26	No. 58	No. 12	No. 30
				MIN	MAX	MAX	MAX	MAX	MAX	MAX	MAX	NOM	MIN								

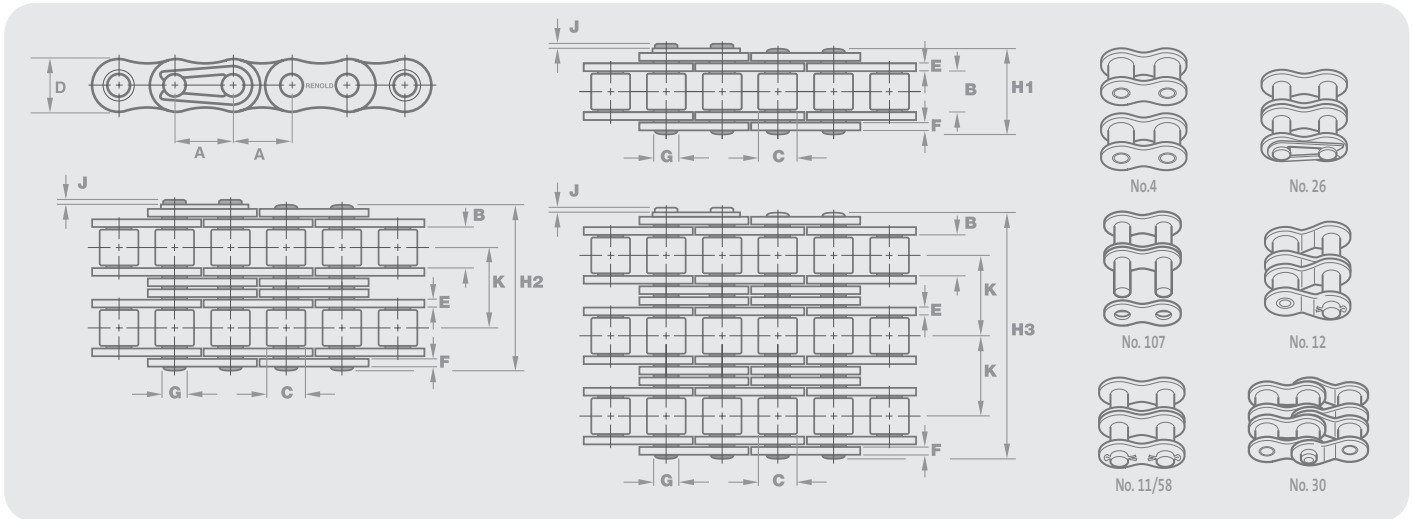
ANSI Standard - Simplex

		A	A	B	C	D	E	F	G	H1	J	K										
25A1 ^o	25-1	0.250	6.350	3.10	3.30	5.90	0.76	0.76	2.30	7.9	1.2	-	3500	0.12	✓	✓	-	✓	-	-	-	✓
35A1 ^o	35-1	0.375	9.525	4.68	5.08	8.60	1.29	1.29	3.59	12.0	1.7	-	7900	0.35	✓	✓	-	✓	-	-	-	✓
40A1	40-1	0.500	12.700	7.85	7.92	11.20	1.55	1.55	3.97	16.4	2.1	-	13900	0.60	✓	✓	✓	✓	-	-	-	✓
41A1	41-1	0.500	12.700	6.35	7.77	9.91	1.30	1.30	3.59	14.5	2.1	-	6700	0.42	✓	✓	-	✓	-	-	-	✓
50A1	50-1	0.625	15.875	9.40	10.16	14.60	2.04	2.04	5.08	20.4	2.7	-	21800	1.00	✓	✓	✓	✓	-	-	-	✓
60A1	60-1	0.750	19.050	12.57	11.91	17.50	2.45	2.45	5.94	25.3	2.6	-	31300	1.47	✓	✓	✓	✓	-	-	-	✓
80A1	80-1	1.000	25.400	15.75	15.88	24.13	3.25	3.25	7.94	32.7	3.0	-	55600	2.80	✓	✓	✓	✓	-	-	-	✓
100A1	100-1	1.250	31.750	18.90	19.05	30.17	4.06	4.06	9.54	39.7	4.2	-	87000	4.20	✓	✓	✓	✓	-	-	-	✓
120A1	120-1	1.500	38.100	25.23	22.23	36.20	4.80	4.80	11.11	49.3	5.3	-	125000	5.70	✓	✓	✓	✓	-	-	-	✓
140A1	140-1	1.750	44.450	25.23	25.40	42.23	5.61	5.61	12.71	52.9	5.2	-	170000	7.80	✓	✓	✓	✓	-	-	-	✓
160A1	160-1	2.000	50.800	31.55	28.58	48.26	6.35	6.35	14.29	63.1	6.5	-	223000	10.40	✓	✓	✓	✓	-	-	-	✓
180A1	180-1	2.250	57.150	35.48	35.71	54.30	7.11	7.11	17.46	70.6	7.9	-	281000	13.94	✓	✓	✓	✓	-	-	-	✓
200A1	200-1	2.500	63.500	37.85	39.67	60.33	8.13	8.13	19.85	76.9	9.0	-	347000	17.30	✓	✓	✓	✓	-	-	-	✓
240A1	240-1	3.000	76.200	47.35	47.62	72.39	9.80	9.80	23.80	94.4	10.5	-	500000	25.00	✓	✓	✓	✓	-	-	-	✓

^o Bush Chain

Renold Roller Chain

ANSI Standard / ISO 606



Chain Ref.		Technical Details (mm)													Connecting Links						
Renold Chain No.	ANSI Ref.	Pitch (inch)	Pitch (mm)	Inside Width	Roller Diam.	Plate Height	Plate Width Inner	Plate Width Outer	Pin Diam.	Pin Length	Conn. Link Extension	Transverse Pitch	ISO606 Tensile Strength (Newtons)	Weight (kg/m)	No. 4	No. 107	No. 11	No. 26	No. 58	No. 12	No. 30
				MIN	MAX	MAX	MAX	MAX	MAX	MAX	MAX	NOM	MIN								

ANSI Standard - Duplex

		A	A	B	C	D	E	F	G	H2	J	K									
25A2 ^o	25-2	0.250	6.350	3.10	3.30	5.90	0.76	0.76	2.30	14.2	1.2	6.40	7000	0.26	✓	✓	-	✓	-	-	✓
35A2 ^o	35-2	0.375	9.525	4.68	5.08	8.60	1.29	1.29	3.59	22.2	1.7	10.13	15800	0.62	✓	✓	-	✓	-	-	✓
40A2	40-2	0.500	12.700	7.85	7.92	11.20	1.55	1.55	3.97	30.8	2.1	14.38	27800	1.20	✓	✓	✓	✓	-	-	✓
50A2	50-2	0.625	15.875	9.40	10.16	14.60	2.04	2.04	5.08	38.4	2.7	18.11	43600	1.98	✓	✓	✓	✓	-	-	✓
60A2	60-2	0.750	19.050	12.57	11.91	17.50	2.45	2.45	5.94	48.1	2.6	22.78	62600	2.91	✓	✓	✓	✓	-	-	✓
80A2	80-2	1.000	25.400	15.75	15.88	24.13	3.25	3.25	7.94	61.9	3.0	29.29	111200	5.50	✓	✓	✓	-	-	-	✓
100A2	100-2	1.250	31.750	18.90	19.05	30.17	4.06	4.06	9.54	75.4	4.2	35.76	174000	8.40	✓	✓	✓	-	-	-	✓
120A2	120-2	1.500	38.100	25.23	22.23	36.20	4.80	4.80	11.11	94.7	5.3	45.44	250000	11.00	✓	✓	✓	✓	-	-	✓
140A2	140-2	1.750	44.450	25.23	25.40	42.23	5.61	5.61	12.71	101.8	5.2	48.87	340000	15.50	✓	✓	✓	-	-	-	✓
160A2	160-2	2.000	50.800	31.55	28.58	48.26	6.35	6.35	14.29	121.6	6.5	58.55	446000	20.60	✓	✓	✓	-	-	-	✓
180A2	180-2	2.250	57.150	35.48	35.71	54.30	7.11	7.11	17.46	136.5	7.9	65.84	562000	27.72	✓	✓	✓	-	-	-	✓
200A2	200-2	2.500	63.500	37.85	39.67	60.33	8.13	8.13	19.85	148.5	9.0	71.55	694000	34.40	✓	✓	✓	-	-	-	✓
240A2	240-2	3.000	76.200	47.35	47.62	72.39	9.80	9.80	23.80	182.2	10.5	87.80	1000000	50.00	✓	✓	✓	-	-	-	✓

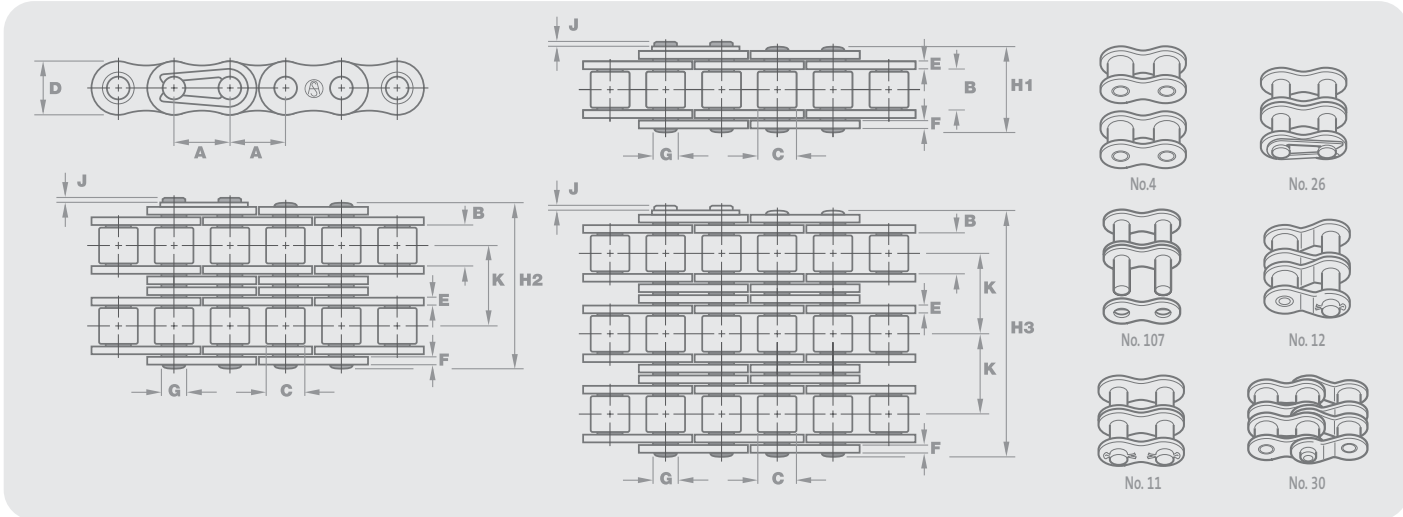
ANSI Standard - Triplex

		A	A	B	C	D	E	F	G	H3	J	K									
25A3 ^o	25-3	0.250	6.350	3.10	3.30	5.90	0.76	0.76	2.30	20.8	1.2	6.40	10500	0.39	✓	✓	-	✓	-	-	✓
35A3 ^o	35-3	0.375	9.525	4.68	5.08	8.60	1.29	1.29	3.59	32.2	1.7	10.13	23700	0.93	✓	✓	-	✓	-	-	✓
40A3	40-3	0.500	12.700	7.85	7.92	11.20	1.55	1.55	3.97	45.1	2.1	14.38	41700	1.80	✓	✓	✓	✓	-	-	✓
50A3	50-3	0.625	15.875	9.40	10.16	14.60	2.04	2.04	5.08	56.5	2.7	18.11	65400	2.96	✓	✓	✓	✓	-	-	✓
60A3	60-3	0.750	19.050	12.57	11.91	17.50	2.45	2.45	5.94	70.9	2.6	22.78	93900	4.38	✓	✓	✓	✓	-	-	✓
80A3	80-3	1.000	25.400	15.75	15.88	24.13	3.25	3.25	7.94	91.2	3.0	29.29	166800	8.30	✓	✓	✓	-	-	-	✓
100A3	100-3	1.250	31.750	18.90	19.05	30.17	4.06	4.06	9.54	111.2	4.2	35.76	261000	12.60	✓	✓	✓	-	-	-	✓
120A3	120-3	1.500	38.100	25.23	22.23	36.20	4.80	4.80	11.11	140.2	5.3	45.44	375000	16.70	✓	✓	✓	-	-	-	✓
140A3	140-3	1.750	44.450	25.23	25.40	42.23	5.61	5.61	12.71	150.7	5.2	48.87	510000	23.10	✓	✓	✓	-	-	-	✓
160A3	160-3	2.000	50.800	31.55	28.58	48.26	6.35	6.35	14.29	180.2	6.5	58.55	669000	31.00	✓	✓	✓	-	-	-	✓
180A3	180-3	2.250	57.150	35.48	35.71	54.30	7.11	7.11	17.46	202.3	7.9	65.84	843000	41.50	✓	✓	✓	-	-	-	✓
200A3	200-3	2.500	63.500	37.85	39.67	60.33	8.13	8.13	19.85	229.0	9.0	71.55	1041000	51.20	✓	✓	✓	-	-	-	✓
240A3	240-3	3.000	76.200	47.35	47.62	72.39	9.80	9.80	23.80	270.1	10.5	87.80	1500000	75.00	✓	✓	✓	-	-	-	✓

^o Bush Chain

Renold A&S Roller Chain

European (BS) Standard / ISO 606



Chain Ref.		Technical Details (mm)												Connecting Links						
Renold Chain No.	ISO Ref.	Pitch (inch)	Pitch (mm)	Inside Width	Roller Diam.	Plate Height	Plate Width Inner	Plate Width Outer	Pin Diam.	Pin Length	Conn. Link Extension	Transverse Pitch	ISO606 Tensile Strength (Newtons)	Weight (kg/m)	No. 4	No. 107	No. 11	No. 26	No. 12	No. 30
				MIN	MAX	MAX	MAX	MAX	MAX	MAX	MAX	NOM	MIN							

European (BS) Standard - Simplex

		A	A	B	C	D	E	F	G	H1	J	K								
1000001	-	0.158	4.000	2.70	2.50	4.10	0.57	0.57	1.65	6.8	1.2	-	1800	0.07	✓	✓	✓	-	-	-
1000002	03	0.197	5.000	2.50	3.20	4.10	0.60	0.60	1.49	7.4	1.3	-	2200	0.08	✓	✓	✓	-	-	✓
1000003	04	0.236	6.000	2.80	4.00	5.00	0.60	0.60	1.85	7.4	1.0	-	3000	0.12	✓	✓	✓	-	-	✓
AR05B1	05B-1	0.315	8.000	3.00	5.00	7.11	0.76	0.76	2.31	8.6	1.5	-	4400	0.18	✓	✓	✓	-	-	✓
AR06B1*	06B-1	0.375	9.525	5.72	6.35	8.20	1.29	1.04	3.28	12.5	1.3	-	8900	0.39	✓	✓	✓	-	-	✓
AR08B1**	08B-1	0.500	12.700	7.75	8.51	11.70	1.55	1.55	4.45	16.5	2.0	-	17800	0.70	✓	✓	✓	-	-	✓
AR10B1**	10B-1	0.625	15.875	9.65	10.16	14.60	1.55	1.55	5.08	18.8	2.5	-	22200	0.96	✓	✓	✓	-	-	✓
AR12B1**	12B-1	0.750	19.050	11.68	12.07	16.00	1.81	1.81	5.72	21.9	2.6	-	28900	1.22	✓	✓	✓	-	-	✓
AR16B1**	16B-1	1.000	25.400	17.02	15.88	21.08	4.12	3.10	8.28	34.9	2.2	-	60000	2.80	✓	✓	✓	-	✓	✓
AR20B1**	20B-1	1.250	31.750	19.56	19.05	26.42	4.62	3.61	10.19	39.8	2.7	-	95000	3.85	✓	✓	✓	-	✓	-
AR24B1**	24B-1	1.500	38.100	25.40	25.40	33.40	6.10	5.08	14.63	52.6	6.8	-	160000	7.45	✓	✓	✓	-	✓	-
AR28B1	28B-1	1.750	44.450	30.99	27.94	37.08	7.62	6.35	15.90	64.2	6.8	-	200000	9.35	✓	✓	✓	-	✓	-
AR32B1	32B-1	2.000	50.800	30.99	29.21	42.29	7.11	6.35	17.81	63.4	8.0	-	250000	10.10	✓	✓	✓	-	✓	-
AR40B1	40B-1	2.500	63.500	39.30	39.37	52.96	8.13	8.13	22.89	78.2	9.5	-	355000	16.50	✓	✓	✓	-	✓	-

European (BS) Standard - Duplex

		A	A	B	C	D	E	F	G	H2	J	K								
1000004	04	0.236	6.000	2.80	4.00	5.00	0.60	0.60	1.85	7.4	1.0	5.50	6000	0.24	✓	✓	-	✓	-	✓
AR05B2	05B-2	0.315	8.000	3.00	5.00	7.11	0.76	0.76	2.31	14.3	1.5	5.64	7800	0.36	✓	✓	-	✓	-	✓
AR06B2*	06B-2	0.375	9.525	5.72	6.35	8.20	1.29	1.04	3.28	23.0	1.3	10.24	16900	0.78	✓	✓	-	✓	-	✓
AR08B2**	08B-2	0.500	12.700	7.75	8.51	11.70	1.55	1.55	4.45	30.4	2.0	13.92	31100	1.38	✓	✓	-	✓	-	✓
AR10B2**	10B-2	0.625	15.875	9.65	10.16	14.60	1.55	1.55	5.08	35.4	2.5	16.59	44500	1.69	✓	✓	-	✓	-	✓
AR12B2**	12B-2	0.750	19.050	11.68	12.07	16.00	1.81	1.81	5.72	41.4	2.6	19.46	57800	2.42	✓	✓	-	✓	-	✓
AR16B2**	16B-2	1.000	25.400	17.02	15.88	21.08	4.12	3.10	8.28	66.8	2.2	31.88	106000	5.50	✓	✓	-	✓	✓	-
AR20B2	20B-2	1.250	31.750	19.56	19.05	26.42	4.62	3.61	10.19	76.7	2.7	36.45	170000	7.80	✓	✓	-	✓	✓	-
AR24B2	24B-2	1.500	38.100	25.40	25.40	33.40	6.10	5.08	14.63	101.3	6.8	48.36	280000	14.80	✓	✓	✓	-	✓	-
AR28B2	28B-2	1.750	44.450	30.99	27.94	37.08	7.62	6.35	15.90	123.7	6.8	59.56	360000	18.60	✓	✓	✓	-	✓	-
AR32B2	32B-2	2.000	50.800	30.99	29.21	42.29	7.11	6.35	17.81	122.0	8.0	58.55	450000	20.10	✓	✓	✓	-	✓	-
AR40B2	40B-2	2.500	63.500	39.30	39.37	52.96	8.13	8.13	22.89	150.5	9.5	72.29	630000	32.80	✓	✓	✓	-	✓	-

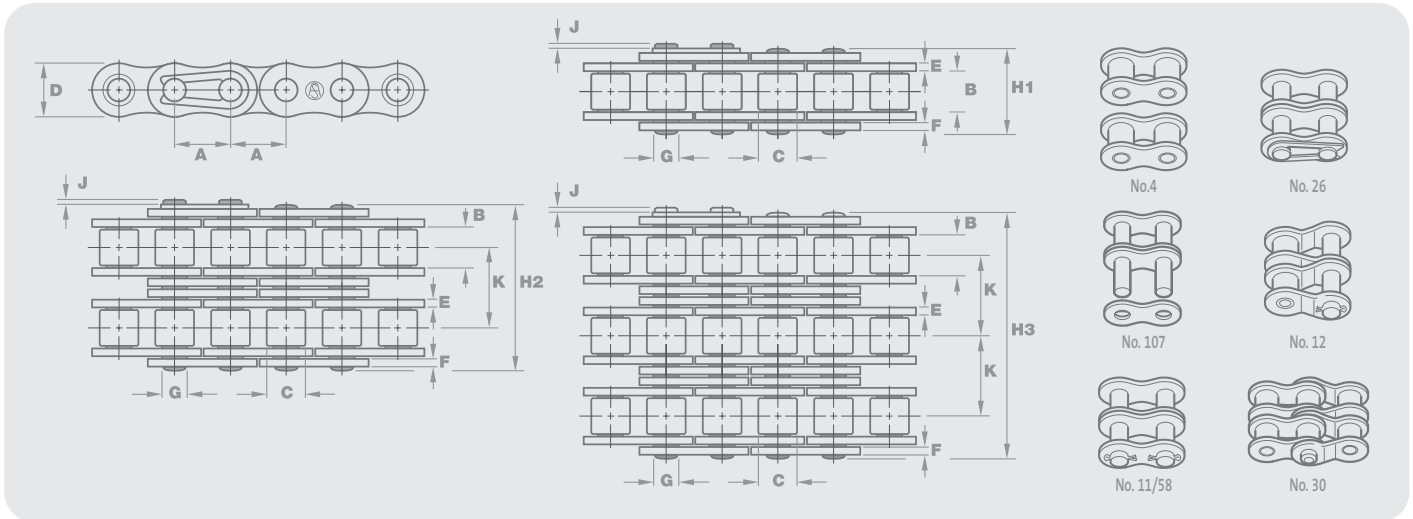
European (BS) Standard - Triplex

		A	A	B	C	D	E	F	G	H3	J	K								
AR05B3	05B-3	0.315	8.000	3.00	5.00	7.11	0.76	0.76	2.31	19.9	1.5	5.64	11100	0.54	✓	✓	-	✓	-	✓
AR06B3*	06B-3	0.375	9.525	5.72	6.35	8.20	1.29	1.04	3.28	33.3	1.3	10.24	24900	1.11	✓	✓	-	✓	-	✓
AR08B3	08B-3	0.500	12.700	7.75	8.51	11.70	1.55	1.55	4.45	44.3	2.0	13.92	44500	2.06	✓	✓	-	✓	-	✓
AR10B3	10B-3	0.625	15.875	9.65	10.16	14.60	1.55	1.55	5.08	52.0	2.5	16.59	66700	2.54	✓	✓	-	✓	-	✓
AR12B3	12B-3	0.750	19.050	11.68	12.07	16.00	1.81	1.81	5.72	60.9	2.6	19.46	86700	3.59	✓	✓	-	✓	-	✓
AR16B3	16B-3	1.000	25.400	17.02	15.88	21.08	4.12	3.10	8.28	98.6	2.2	31.88	160000	8.15	✓	✓	-	✓	✓	-
AR20B3	20B-3	1.250	31.750	19.56	19.05	26.42	4.62	3.61	10.19	113.2	2.7	36.45	250000	11.65	✓	✓	-	✓	✓	-
AR24B3	24B-3	1.500	38.100	25.40	25.40	33.40	6.10	5.08	14.63	149.7	6.8	48.36	425000	22.25	✓	✓	✓	-	✓	-
AR28B3	28B-3	1.750	44.450	30.99	27.94	37.08	7.62	6.35	15.90	183.3	6.8	59.56	530000	28.00	✓	✓	✓	-	✓	-
AR32B3	32B-3	2.000	50.800	30.99	29.21	42.29	7.11	6.35	17.81	180.5	8.0	58.55	670000	30.00	✓	✓	✓	-	✓	-
AR40B3	40B-3	2.500	63.500	39.30	39.37	52.96	8.13	8.13	22.89	222.8	9.5	72.29	950000	48.90	✓	✓	✓	-	✓	-

* Only with straight plates ** Straight side plates available

Renold A&S Roller Chain

ANSI Standard / ISO 606



Chain Ref.		Technical Details (mm)											Connecting Links								
Renold Chain No.	ANSI Ref.	Pitch (inch)	Pitch (mm)	Inside Width	Roller Diam.	Plate Height	Plate Width Inner	Plate Width Outer	Pin Diam.	Pin Length	Conn. Link Extension	Transverse Pitch	ISO606 Tensile Strength (Newtons)	Weight kg/m	No. 4	No. 107	No. 11	No. 26	No. 58	No. 12	No. 30
				MIN	MAX	MAX	MAX	MAX	MAX	MAX	MAX	NOM	MIN								

ANSI Standard - Simplex

		A	A	B	C	D	E	F	G	H1	J	K									
AR25A1 [◇]	25-1	0.250	6.350	3.10	3.30	5.90	0.76	0.76	2.30	7.9	1.2	-	3500	0.12	✓	✓	-	✓	-	-	✓
AR35A1 [◇]	35-1	0.375	9.525	4.68	5.08	8.60	1.29	1.29	3.59	12.0	1.7	-	7900	0.35	✓	✓	-	✓	-	-	✓
AR40A1	40-1	0.500	12.700	7.85	7.92	11.20	1.55	1.55	3.97	16.4	2.1	-	13900	0.60	✓	✓	-	✓	-	-	✓
AR50A1**	50-1	0.625	15.875	9.40	10.16	14.60	2.04	2.04	5.08	20.4	2.7	-	21800	1.00	✓	✓	✓	✓	-	✓	✓
AR60A1**	60-1	0.750	19.050	12.57	11.91	17.50	2.45	2.45	5.94	25.3	2.6	-	31300	1.47	✓	✓	✓	✓	-	✓	✓
AR80A1	80-1	1.000	25.400	15.75	15.88	24.13	3.25	3.25	7.94	32.7	3.0	-	55600	2.80	✓	✓	✓	-	✓	✓	-
AR100A1	100-1	1.250	31.750	18.90	19.05	30.17	4.06	4.06	9.54	39.7	4.2	-	87000	4.20	✓	✓	✓	-	✓	✓	-
AR120A1	120-1	1.500	38.100	25.23	22.23	36.20	4.80	4.80	11.11	49.3	5.3	-	125000	5.70	✓	✓	✓	-	✓	✓	-
AR140A1	140-1	1.750	44.450	25.23	25.40	42.23	5.61	5.61	12.71	52.9	5.2	-	170000	7.80	✓	✓	✓	-	✓	✓	-
AR160A1	160-1	2.000	50.800	31.55	28.58	48.26	6.35	6.35	14.29	63.1	6.5	-	223000	10.40	✓	✓	✓	-	✓	✓	-
AR200A1	200-1	2.500	63.500	37.85	39.67	60.33	8.13	8.13	19.85	76.9	9.0	-	347000	17.30	✓	✓	✓	-	✓	✓	-

ANSI Standard - Duplex

		A	A	B	C	D	E	F	G	H2	J	K									
AR25A2 [◇]	25-2	0.250	6.350	3.10	3.30	5.90	0.76	0.76	2.30	14.2	1.2	6.40	7000	0.26	✓	✓	-	✓	-	-	✓
AR35A2 [◇]	35-2	0.375	9.525	4.68	5.08	8.60	1.29	1.29	3.59	22.2	1.7	10.13	15800	0.62	✓	✓	-	✓	-	-	✓
AR40A2	40-2	0.500	12.700	7.85	7.92	11.20	1.55	1.55	3.97	30.8	2.1	14.38	27800	1.20	✓	✓	-	✓	-	-	✓
AR50A2	50-2	0.625	15.875	9.40	10.16	14.60	2.04	2.04	5.08	38.4	2.7	18.11	43600	1.98	✓	✓	✓	✓	-	✓	✓
AR60A2	60-2	0.750	19.050	12.57	11.91	17.50	2.45	2.45	5.94	48.1	2.6	22.78	62600	2.91	✓	✓	✓	✓	-	✓	✓
AR80A2	80-2	1.000	25.400	15.75	15.88	24.13	3.25	3.25	7.94	61.9	3.0	29.29	111200	5.50	✓	✓	✓	-	✓	✓	-
AR100A2	100-2	1.250	31.750	18.90	19.05	30.17	4.06	4.06	9.54	75.4	4.2	35.76	174000	8.40	✓	✓	✓	-	✓	✓	-
AR120A2	120-2	1.500	38.100	25.23	22.23	36.20	4.80	4.80	11.11	94.7	5.3	45.44	250000	11.00	✓	✓	✓	-	✓	✓	-
AR140A2	140-2	1.750	44.450	25.23	25.40	42.23	5.61	5.61	12.71	101.8	5.2	48.87	340000	15.50	✓	✓	✓	-	✓	✓	-
AR160A2	160-2	2.000	50.800	31.55	28.58	48.26	6.35	6.35	14.29	121.6	6.5	58.55	446000	20.60	✓	✓	✓	-	✓	✓	-

ANSI Standard - Triplex

		A	A	B	C	D	E	F	G	H3	J	K									
AR25A3 [◇]	25-3	0.250	6.350	3.10	3.30	5.90	0.76	0.76	2.30	20.8	1.2	6.40	10500	0.39	✓	✓	-	✓	-	-	✓
AR35A3 [◇]	35-3	0.375	9.525	4.68	5.08	8.60	1.29	1.29	3.59	32.2	1.7	10.13	23700	0.93	✓	✓	-	✓	-	-	✓
AR40A3	40-3	0.500	12.700	7.85	7.92	11.20	1.55	1.55	3.97	45.1	2.1	14.38	41700	1.80	✓	✓	-	✓	-	-	✓
AR50A3	50-3	0.625	15.875	9.40	10.16	14.60	2.04	2.04	5.08	56.5	2.7	18.11	65400	2.96	✓	✓	✓	✓	-	✓	✓
AR60A3	60-3	0.750	19.050	12.57	11.91	17.50	2.45	2.45	5.94	70.9	2.6	22.78	93900	4.38	✓	✓	✓	✓	-	✓	✓
AR80A3	80-3	1.000	25.400	15.75	15.88	24.13	3.25	3.25	7.94	91.2	3.0	29.29	166800	8.30	✓	✓	✓	-	-	✓	-
AR100A3	100-3	1.250	31.750	18.90	19.05	30.17	4.06	4.06	9.54	111.2	4.2	35.76	261000	12.60	✓	✓	✓	-	-	✓	-
AR120A3	120-3	1.500	38.100	25.23	22.23	36.20	4.80	4.80	11.11	140.2	5.3	45.44	375000	16.70	✓	✓	✓	-	-	✓	-
AR140A3	140-3	1.750	44.450	25.23	25.40	42.23	5.61	5.61	12.71	150.7	5.2	48.87	510000	23.10	✓	✓	✓	-	-	✓	-
AR160A3	160-3	2.000	50.800	31.55	28.58	48.26	6.35	6.35	14.29	180.2	6.5	58.55	669000	31.00	✓	✓	✓	-	-	✓	-

[◇] Bush Chain ** Straight side plates available

Renold ANSI Xtra Chain

Section 1

RENOLD ANSI XTRA...

Xtra shock resistant pins

Xtra round components with seamless roller/bush



Shock resistant



Fatigue resistant



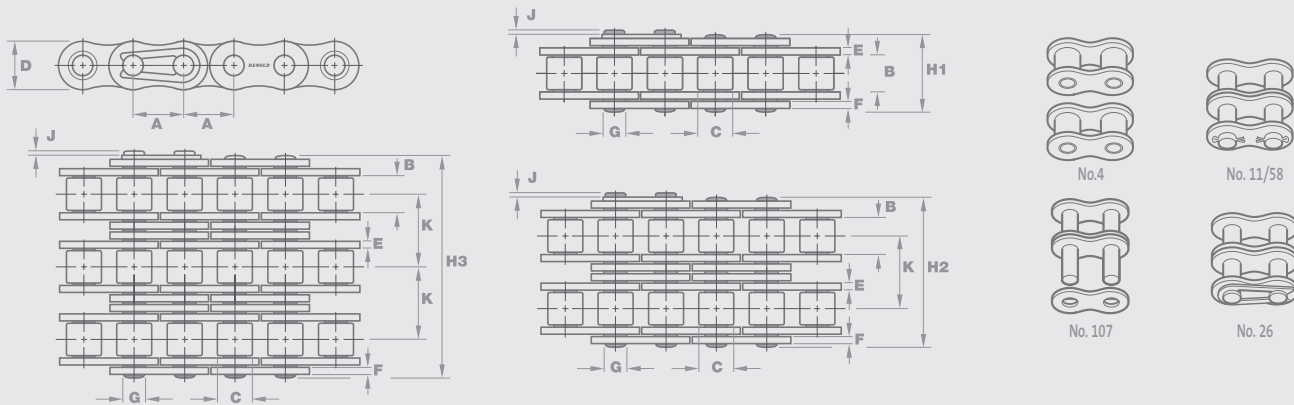
High loads

Xtra finish shot peening ball drifting

Xtra security interference fits

Xtra thick plates resists heavy loads

... THE HEAVY DUTY CHAIN



Product description

RENOLD ANSI XTRA chain incorporates the usual Renold performance enhancing features including seamless bushes, ball drifted plate holes, shot peening and optimum interference fits. The extra features incorporated into this range of chain is classified by:

- Thicker side plates denoted by 'H'. These plates are approximately 20% thicker than standard ANSI chain
- Through hardened pins, denoted by 'V'

The gearing dimensions of ANSI XTRA chain are identical to our standard ANSI simplex

range and will therefore run on standard sprockets. The larger transverse pitch of duplex and triplex chains with heavy duty side plates (H or HV range) require special sprockets.

The range can therefore be summarised as follows:

H Range - Identical to standard ANSI chain with the exception of the overall width. Thicker plates give this chain excellent resistance to heavy loads and help absorb shock. Duplex and triplex chain must have sprockets with an increased transverse pitch of the teeth.

V Range - Identical dimensions to standard ANSI chain but with a higher breaking load and excellent resistance to shock loads.

HV Range - A combination of the 'H' and 'V' chain, giving excellent resistance to both heavy and shock loads.

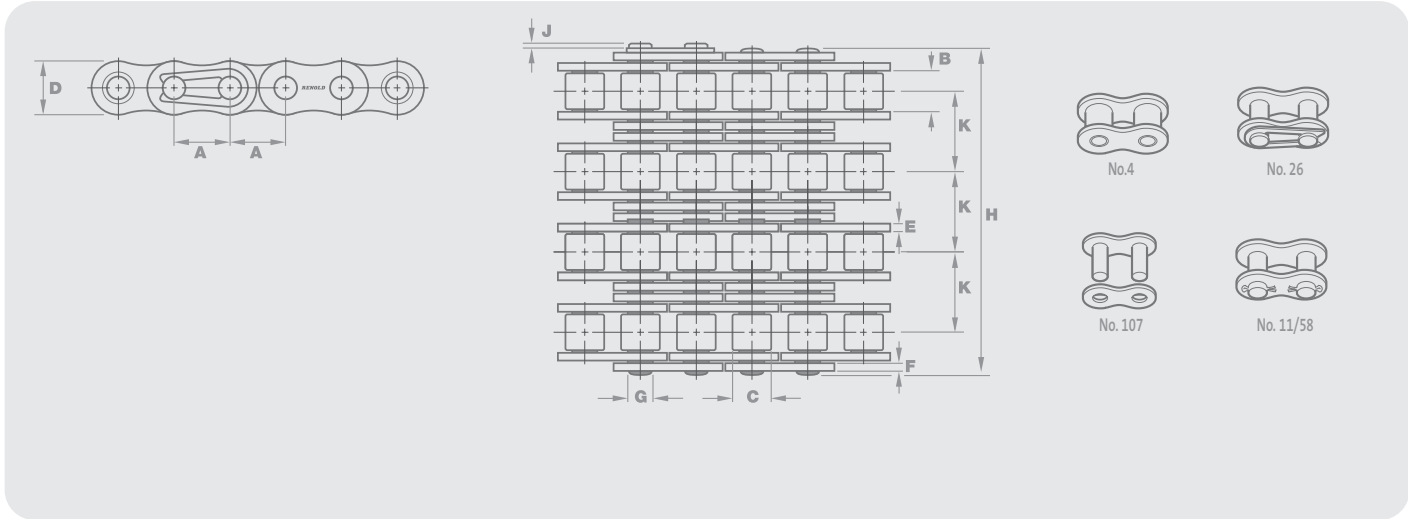
A further enhancement to the chain life can be achieved by hardening the sprocket teeth of the drive. 'H' and 'HV' chains are designed for improved fatigue life, therefore offset and slip fit joints which have a lower fatigue resistance are not recommended.

Shown below is an easy to use features guide to help in selecting chain to suit its application.

Chain Type	Strength	Wear	Heavy Loads	Shock Loads	High Speeds
Standard ANSI XTRA H Range XTRA V Range XTRA HV Range	Good Good Excellent Excellent	Excellent Excellent Good Good	Good Excellent Good Excellent	Good Good Excellent Excellent	Excellent Not Suitable Good Not Suitable

Renold Multiplex

ANSI Standard



Chain Ref.			Technical Details (mm)													Connecting Links			
Renold Chain No.	ISO Ref.	ANSI No.	Pitch (inch)	Pitch (mm)	Inside Width	Roller Diam.	Plate Height Inner	Plate Width Outer	Plate Width	Pin Diam.	Pin Length	Conn. Link Extension	Transverse Pitch	ISO606 Tensile Strength (Newtons)	Weight kg/m	No. 4	No. 107	No. 11/58	No. 26
					MIN	MAX	MAX	MAX	MAX	MAX	MAX	MAX	NOM	MIN					

ANSI Standard - Multiplex

			A	A	B	C	D	E	F	G	H1	J	K						
40-4R	08A-4	40-4	0.500	12.700	7.85	7.92	11.15	1.55	1.55	3.98	59.7	3.9	14.38	67600	2.50	✓	✓	✓	✓
50-4R	10A-4	50-4	0.625	15.875	9.40	10.16	14.55	2.03	2.03	5.07	75.2	4.1	18.11	111200	4.20	✓	✓	✓	-
50-5R	10A-5	50-5	0.625	15.875	9.40	10.16	14.55	2.03	2.03	5.07	93.3	4.1	18.11	139000	5.25	✓	✓	✓	-
50-6R	10A-6	50-6	0.625	15.875	9.40	10.16	14.55	2.03	2.03	5.07	111.3	4.1	18.11	166800	6.30	✓	✓	✓	-
60-4R	12A-4	60-4	0.750	19.050	12.57	11.91	17.45	2.39	2.39	5.96	94.3	4.6	22.78	151250	6.20	✓	✓	✓	-
60-5R	12A-5	60-5	0.750	19.050	12.57	11.91	17.45	2.39	2.39	5.96	116.9	4.6	22.78	190000	7.75	✓	✓	✓	-
60-6R	12A-6	60-6	0.750	19.050	12.57	11.91	17.45	2.39	2.39	5.96	139.7	4.6	22.78	226800	9.30	✓	✓	✓	-
80-4R	16A-4	80-4	1.000	25.400	15.38	15.75	24.05	3.25	3.25	7.93	120.7	5.4	29.29	258000	11.20	✓	✓	✓	-
80-5R	16A-5	80-5	1.000	25.400	15.38	15.75	24.05	3.25	3.25	7.93	149.9	5.4	29.29	322500	14.00	✓	✓	✓	-
80-6R	16A-6	80-6	1.000	25.400	15.38	15.75	24.05	3.25	3.25	7.93	179.4	5.4	29.29	387000	16.80	✓	✓	✓	-
80-8R	16A-8	80-8	1.000	25.400	15.38	15.75	24.05	3.25	3.25	7.93	237.8	5.4	29.29	516000	22.40	✓	✓	✓	-
100-4R	20A-4	100-4	1.250	31.750	19.05	19.05	29.97	4.06	4.06	9.54	147.1	6.1	35.76	418150	16.80	✓	✓	✓	-
100-5R	20A-5	100-5	1.250	31.750	19.05	19.05	29.97	4.06	4.06	9.54	182.9	6.1	35.76	522600	21.00	✓	✓	✓	-
100-6R	20A-6	100-6	1.250	31.750	19.05	19.05	29.97	4.06	4.06	9.54	218.7	6.1	35.76	627200	25.20	✓	✓	✓	-
120-4R	24A-4	120-4	1.500	38.100	25.68	22.23	35.89	4.80	4.80	11.11	185.7	6.6	45.44	570000	22.92	✓	✓	✓	-
120-5R	24A-5	120-5	1.500	38.100	25.68	22.23	35.89	4.80	4.80	11.11	231.2	6.6	45.44	711700	27.96	✓	✓	✓	-
120-6R	24A-6	120-6	1.500	38.100	25.68	22.23	35.89	4.80	4.80	11.11	276.6	6.6	45.44	854000	33.50	✓	✓	✓	-
120-8R	24A-8	120-8	1.500	38.100	25.68	22.23	35.89	4.80	4.80	11.11	367.6	6.6	45.44	1138000	44.65	✓	✓	✓	-
140-4R	28A-4	140-4	1.750	44.450	25.73	25.40	41.81	5.61	5.61	12.64	199.7	7.4	48.87	765000	30.21	✓	✓	✓	-
140-5R	28A-5	140-5	1.750	44.450	25.73	25.40	41.81	5.61	5.61	12.64	248.4	7.4	48.87	956400	37.72	✓	✓	✓	-
140-6R	28A-6	140-6	1.750	44.450	25.73	25.40	41.81	5.61	5.61	12.64	297.5	7.4	48.87	1147680	45.24	✓	✓	✓	-
160-4R	32A-4	160-4	2.000	50.800	32.13	28.58	47.73	6.35	6.35	14.29	238.8	7.9	58.55	978600	38.90	✓	✓	✓	-
200-4R	40A-4	200-4	2.500	63.500	38.15	39.67	59.56	8.13	8.13	19.81	291.6	10.2	71.55	1690000	68.24	✓	✓	✓	-

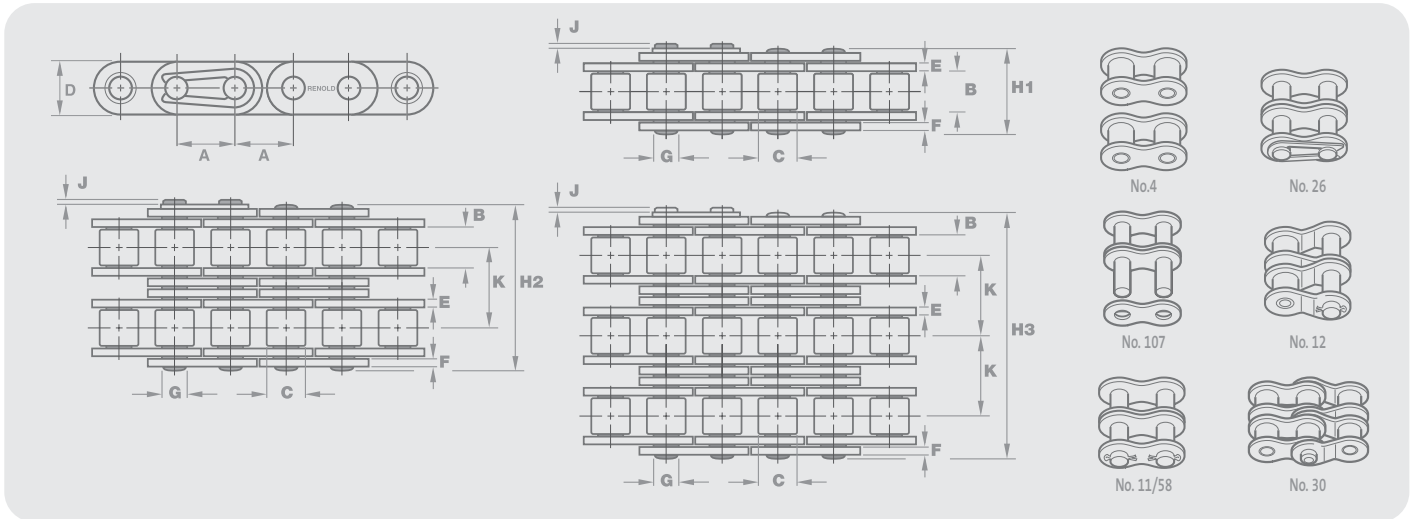
Detachable Cottered Chain - See Oilfield Chain page 126 - 127

Connecting links

Note: No.12 Crank links - please consult Renold.

Straight Side Plate

ISO 606



Chain Ref.		Technical Details (mm)											Connecting Links								
Renold Chain No.	ISO Ref.	Pitch (inch)	Pitch (mm)	Inside Width	Roller Diam.	Plate Height	Plate Width Inner	Plate Width Outer	Pin Diam.	Pin Length	Conn. Link Extension	Transverse Pitch	ISO606 Tensile Strength (Newtons)	Weight kg/m	No. 4	No. 107	No. 11	No. 26	No. 58	No. 12	No. 30
				MIN	MAX	MAX	MAX	MAX	MAX	MAX	MAX	NOM	MIN								

Simplex

		A	A	B	C	D	E	F	G	H1	J	K									
110047	08B-1	0.500	12.70	7.75	8.51	11.81	1.55	1.55	4.45	17.0	3.9	-	17800	0.70	✓	✓	✓	✓	✓	✓	✓
110057	10B-1	0.625	15.88	9.65	10.16	14.70	1.55	1.55	5.08	19.6	4.1	-	22200	0.92	✓	✓	✓	✓	✓	✓	✓
110067	12B-1	0.750	19.05	11.68	12.07	15.93	1.80	1.80	5.72	22.7	4.6	-	28900	1.20	✓	✓	✓	✓	✓	✓	✓
110080	16B-1	1.000	25.40	17.02	15.88	24.06	4.12	3.10	8.28	36.1	5.4	-	60000	3.45	✓	✓	-	✓	-	-	-
110120	24B-1	1.500	38.10	25.40	25.40	35.75	6.10	5.08	14.63	53.4	6.6	-	160000	7.45	✓	✓	-	✓	-	-	-
110140	28B-1	1.750	44.45	30.99	27.94	41.68	7.62	6.35	15.90	65.1	7.4	-	200000	9.35	✓	✓	-	✓	-	-	-
110160	32B-1	2.000	50.80	30.99	29.21	47.60	7.11	6.35	17.81	67.4	7.9	-	250000	10.10	✓	✓	-	✓	-	-	-

Duplex

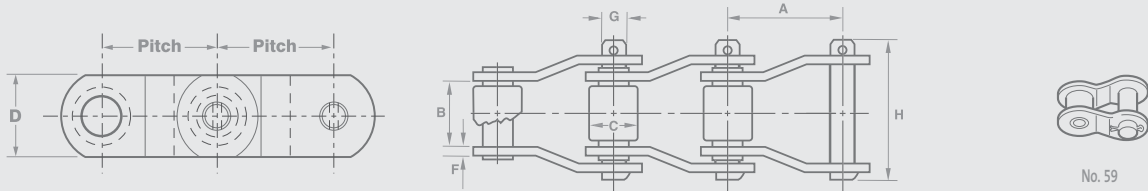
		A	A	B	C	D	E	F	G	H2	J	K									
114047	08B-2	0.500	12.70	7.75	8.51	11.81	1.55	1.55	4.45	31.0	3.9	13.92	31000	1.38	✓	✓	✓	✓	✓	✓	✓
114057	10B-2	0.625	15.88	9.65	10.16	14.70	1.55	1.55	5.08	36.2	4.1	16.59	44500	1.80	✓	✓	✓	✓	✓	✓	✓
114067	12B-2	0.750	19.05	11.68	12.07	15.93	1.80	1.80	5.72	42.2	4.6	19.46	57800	2.40	✓	✓	✓	✓	✓	✓	✓
114080	16B-2	1.000	25.40	17.02	15.88	21.08	4.12	3.10	8.28	68.0	5.4	31.88	106000	5.50	✓	✓	-	✓	-	-	-
114120	24B-2	1.500	38.10	25.40	25.40	35.75	6.10	5.08	14.63	101.8	6.6	48.36	280000	14.80	✓	✓	-	✓	-	-	-

Triplex

		A	A	B	C	D	E	F	G	H3	J	K									
116048	08B-3	0.500	12.70	7.75	8.51	11.81	1.55	1.55	4.45	44.9	3.9	13.92	445000	2.06	✓	✓	✓	✓	✓	✓	✓
116080	16B-3	1.000	25.40	17.02	15.88	24.06	4.12	3.10	8.28	99.9	5.4	31.88	160000	10.12	✓	✓	-	✓	-	-	-

Cranked Link Chain

European (BS) Standard



Chain Ref.		Technical Details (mm)										Conn Link	
Renold Chain No.	API No.	Pitch (inch)	Pitch (mm)	Inside Width	Roller Diam.	Plate Height	Plate Width	Pin Diam.	Pin Length	ISO606 Tensile Strength (Newtons)	Weight (kg/m)	No.	
				MIN	MAX	MAX	MAX	MAX	MAX	MIN			

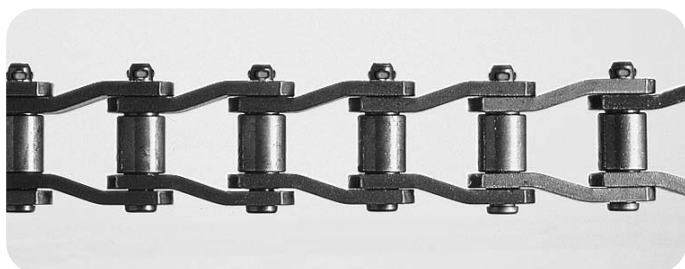
Cranked Link Chain

		A	A	B	C	D	F	G	H			
181046	-	3.067	77.900	39.850	41.400	46.630	10.920	18.550	104.390	409000	18.300	✓
187050	API3	3.075	78.100	38.280	31.800	40.160	9.780	16.540	96.770	320285	12.500	✓
184051	API4	4.063	103.200	49.380	44.500	58.290	12.950	22.340	127.510	667260	23.900	✓
180847	-	5.000	127.000	70.030	63.500	88.900	16.130	31.760	161.290	1380000	52.000	✓

Chain Ref.		Technical Details (mm)								
Renold Chain No.	Pitch (inch)	Pitch (mm)	Roller Diam.	Plate Width	Plate Height	Pin Diam.	Pin Length	ISO606 Tensile Strength (Newtons)	Weight (kg/m)	
			MAX	MAX	MAX	MAX	MAX	MIN		

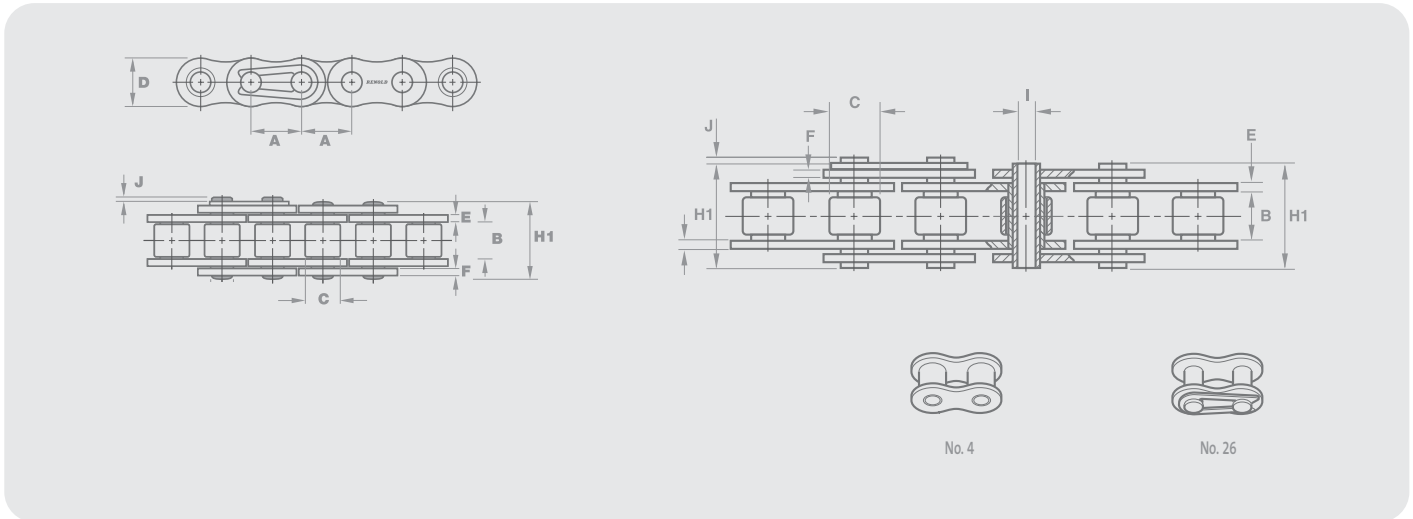
Cranked Link Chain

	A	A	C	F		G	H		
IS2065	2.000	50.800	28.575	7.938	39.243	15.062	73.819	65,000	11.307
JS882	2.069	52.553	22.225	6.350	28.575	11.113	62.706	26,000	5.356
JS1031	3.075	78.105	31.750	7.938	38.100	15.875	83.344	48,000	10.861
JS3075	3.075	78.105	31.750	9.525	42.863	16.434	89.694	75,000	13.390
JS3011	3.067	77.902	41.275	9.525	57.150	19.050	89.694	110,000	19.490
JS3514	3.500	88.900	44.450	12.700	57.150	22.250	102.394	140,000	25.739
JS4014	4.063	103.200	44.450	12.700	57.150	22.250	111.919	140,000	22.912
JS4106	4.063	103.200	44.450	12.700	57.150	22.250	111.919	70,000	23.207
JS1245A	4.073	103.454	45.244	14.288	60.325	23.800	121.444	170,000	27.822
IS4121	4.090	103.886	47.625	14.288	69.850	25.349	118.269	210,000	35.707
IS4522	4.500	114.300	57.150	14.288	76.200	27.915	125.413	220,000	37.195
JS5031	5.000	127.000	63.500	15.875	88.900	31.750	146.844	280,000	53.561
1605AAA	5.000	127.000	63.500	19.050	88.900	34.925	161.925	350,000	64.720
JS6042	6.000	152.400	76.200	19.050	101.600	38.100	174.625	420,000	69.034



Hollow Pin Chain

European (BS) Standard / ANSI Standard



Chain Ref.		Technical Details (mm)													Conn Links	
Renold Chain No.	ISO Ref.	Pitch (inch)	Pitch (mm)	Inside Width	Roller Diam.	Plate Height	Plate Width Inner	Plate Width Outer	Pin Bore	Pin Length	Conn. Link Extension	Transverse Pitch	ISO606 Tensile Strength (Newtons)	Weight kg/m	No. 4	No. 26
				MIN	MAX	MAX	MAX	MAX	MAX	MAX	MAX	NOM	MIN			

European (BS) Standard - Simplex Bush Chain

		A	A	B	C	D	E	F	I	H1	J	K				
1204387	-	0.500	12.70	7.75	8.51	12.1	1.51	1.51	4.50	16.5	1.1	-	12000	0.66	✓	✓
1204989	-	1.000	25.40	12.70	15.88	23.0	3.00	3.00	6.00	30.8	1.3	-	70000	2.22	✓	✓
1203629	-	1.000	25.40	12.70	15.88	23.0	3.00	3.00	7.05	30.8	1.3	-	40000	2.20	✓	✓
1000947	-	1.968	50.00	10.00	30.00	27.5	3.00	3.00	8.20	26.0	4.0	-	60000	2.20	✓	✓
1000884	-	2.000	50.80	10.00	30.00	25.5	3.00	3.00	8.20	26.0	4.0	-	60000	2.10	✓	✓
1000948	-	3.937	100.00	10.00	30.00	25.5	3.00	3.00	8.20	26.0	4.0	-	60000	1.50	✓	✓

European (BS) Standard - Simplex Stainless Steel Chain

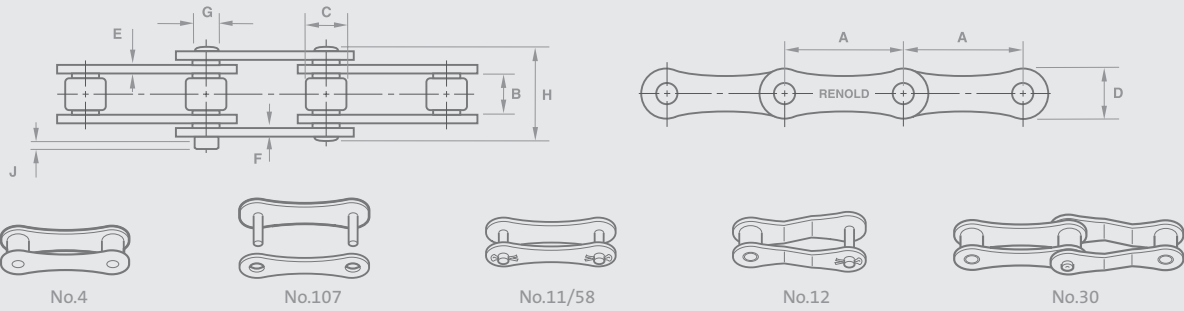
		A	A	B	C	D	E	F	G	H1	J	K				
1206742	-	0.500	12.70	7.75	8.51	12.5	1.51	1.51	4.58	16.5	1.1	-	10500	0.61	✓	✓

ANSI Standard - Simplex Bush Chain

		A	A	B	C	D	E	F	G	H1	J	K				
50HP-1	-	0.625	15.88	9.40	10.16	15.1	2.00	2.00	5.10	20.4	1.0	-	18000	1.05	✓	✓
60HP-1	-	0.750	19.05	12.70	11.91	17.5	2.40	2.40	6.00	25.3	1.3	-	28500	1.39	✓	✓
80HP-1	-	1.000	25.40	15.88	15.88	25.0	2.70	3.70	9.50	34.0	5.1	-	60000	2.20	✓	✓

Double Pitch Chain

ISO 1275 / ANSI B29.00



Chain Ref.		Technical Details (mm)												Connecting Links						
Renold Chain No.	ISO Ref.	Pitch (inch)	Pitch (mm)	Inside Width	Roller Diam.	Plate Height	Plate Width Inner	Plate Width Outer	Pin Diam.	Pin Length	Conn. Link Extension	Transverse Pitch	ISO606 Tensile Strength (Newtons)	Weight kg/m	No. 4	No. 107	No. 11	No. 58	No. 12	No. 30
				MIN	MAX	MAX	MAX	MAX	MAX	MAX	MAX	NOM	MIN							

ISO 1275 - Simplex

		A	A	B	C	D	E	F	G	H1	J	K								
113083*	208B	1.00	25.40	7.75	8.51	11.43	1.55	1.55	4.45	16.6	3.9	-	19000	0.53	✓	✓	✓	-	-	✓
113103*	210B	1.25	31.75	9.65	10.16	13.72	1.55	1.55	5.08	19.6	4.1	-	23000	0.66	✓	✓	✓	-	-	✓
113123*	212B	1.50	38.10	11.68	12.07	15.88	1.80	1.80	5.72	22.7	4.6	-	30500	0.90	✓	✓	✓	-	-	✓
113168	216B	2.00	50.80	17.02	15.88	20.83	4.12	3.10	8.28	36.1	5.4	-	67000	1.80	✓	✓	✓	-	-	✓
113203	220B	2.50	63.50	19.56	19.05	24.64	4.12	3.61	10.19	43.2	6.1	-	98070	2.45	✓	✓	✓	-	✓	-
113243	224B	3.00	76.20	25.40	25.40	33.53	6.10	5.08	14.63	53.4	6.6	-	166700	4.80	✓	✓	✓	-	✓	-
113323	232B	4.00	101.60	30.99	29.21	40.13	7.11	6.35	17.81	67.4	7.9	-	255000	5.95	✓	✓	✓	-	-	-

ANSI Standard - Conveyor Small Roller

		A	A	B	C	D	E	F	G	H1	J	K								
C2040R*	-	1.00	25.40	7.85	7.92	11.80	1.50	1.50	3.97	17.8	3.9	-	14100	0.50	✓	✓	✓	✓	✓	-
C2050R*	-	1.25	31.75	9.40	10.16	15.00	2.00	2.00	5.09	21.8	4.1	-	22200	0.84	✓	✓	✓	✓	✓	-
C2060R*	-	1.50	38.10	12.57	11.91	17.80	3.17	3.17	5.95	28.6	4.6	-	38000	1.44	✓	✓	✓	✓	✓	-
C2080R*	-	2.00	50.80	15.75	15.88	24.10	4.00	4.00	7.92	35.8	5.4	-	65000	2.42	✓	✓	✓	✓	✓	-
C2100H*	-	2.50	63.50	19.00	19.05	28.80	4.75	4.75	9.54	42.4	4.3	-	137000	3.47	✓	✓	✓	✓	✓	-
C2120H*	-	3.00	76.20	25.40	22.23	35.10	5.61	5.61	11.11	52.4	5.3	-	185900	4.93	✓	✓	✓	✓	✓	-
C2160H*	-	4.00	101.60	31.50	28.58	47.90	7.30	7.30	14.29	65.6	6.7	-	305500	8.00	✓	✓	✓	✓	✓	-

ANSI Standard - Conveyor Large Roller

		A	A	B	C	D	E	F	G	H1	J	K								
C2042R*	-	1.00	25.40	7.85	15.88	11.80	1.50	1.50	3.97	17.8	3.9	-	14100	0.82	✓	✓	✓	✓	✓	-
C2052R*	-	1.25	31.75	9.40	19.05	15.00	2.00	2.00	5.09	21.8	4.1	-	22200	1.26	✓	✓	✓	✓	✓	-
C2062R*	-	1.50	38.10	12.57	22.23	17.80	3.17	3.17	5.95	28.6	4.6	-	38000	2.03	✓	✓	✓	✓	✓	-
C2082R*	-	2.00	50.80	15.75	28.58	24.10	4.00	4.00	7.92	35.8	5.4	-	65000	3.36	✓	✓	✓	✓	✓	-
C2102H*	-	2.50	63.50	19.00	39.67	28.80	4.75	4.75	9.54	42.4	4.3	-	137000	5.65	✓	✓	✓	✓	✓	-
C2122H*	-	3.00	76.20	25.40	44.45	35.10	5.61	5.61	11.11	54	5.3	-	185900	7.90	✓	✓	✓	✓	✓	-
C2162H*	-	4.00	101.60	31.50	57.15	47.90	7.30	7.30	14.29	65.6	6.7	-	305500	12.80	✓	✓	✓	✓	✓	-

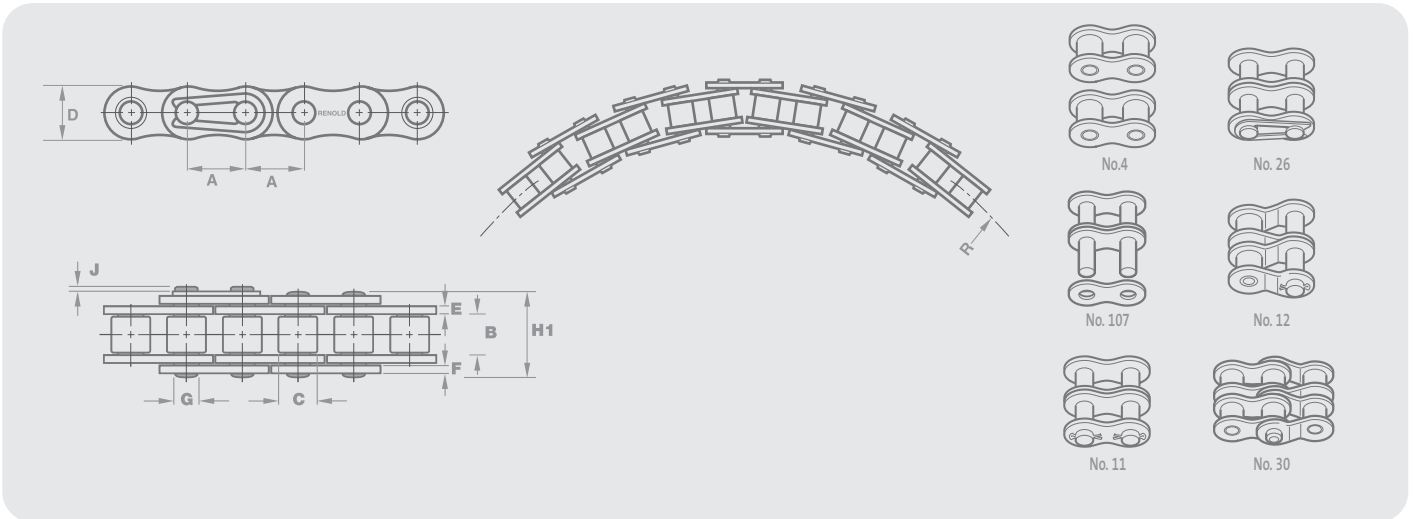
ANSI Standard - Drive Chain

		A	A	B	C	D	E	F	G	H1	J	K								
A2040	-	1.00	25.40	7.85	7.92	11.80	1.50	1.50	3.97	17.8	3.9	-	14100	0.40	✓	✓	✓	✓	✓	-
A2050	-	1.25	31.75	9.40	10.16	15.00	2.00	2.00	5.09	21.8	4.1	-	22200	0.70	✓	✓	✓	✓	✓	-
A2060	-	1.50	38.10	12.57	11.91	17.80	2.40	2.40	5.95	26.9	4.6	-	31800	1.05	✓	✓	✓	✓	✓	-
A2080	-	2.00	50.80	15.75	15.88	24.10	3.00	3.00	7.92	33.5	5.4	-	56700	1.76	✓	✓	✓	✓	✓	-

* Straight side plate

Sidebow Roller Chain

European (BS) Standard



Chain Ref.		Technical Details (mm)												Conn. Links		
Renold Chain No.	Pitch (inch)	Pitch (mm)	Inside Width	Roller Diam.	Plate Height	Plate Width	Plate Width Inner	Pin Diam. Outer	Pin Length	Conn. Link Extension	Bow Radius	ISO606 Tensile	Weight Strength (Newtons)	No. 4	No. 11	No. 26
			MIN	MAX	MAX	MAX	MAX	MAX	MAX	MAX	MAX	MIN		kg/m		

Simplex

	A	A	B	C	D	E	F	G	H1	J	R					
1202219	0.375	9.520	5.72	6.35	8.26	1.30	1.30	3.28	13.5	3.3	195	9000	0.39	✓	✓	✓
1206046#	0.500	12.700	7.85	7.95	11.89	1.55	1.55	3.42	17.0	3.9	350	13000	0.58	✓	✓	✓
1205319	0.500	12.700	7.75	8.51	11.89	1.55	1.55	4.45	17.0	3.9	400	19000	0.69	✓	✓	✓
1200180	0.625	15.875	9.65	10.16	13.72	1.55	1.55	4.70	18.7	4.1	450	22400	0.85	✓	✓	✓
1201871	0.750	19.050	11.68	12.07	15.93	1.80	1.80	5.72	22.7	4.6	650	29000	1.18	✓	✓	✓
1205954	1.000	25.400	17.02	15.88	20.57	4.12	3.10	8.27	36.1	5.4	750	65000	2.50	✓	✓	✓
1202031†	1.250	31.750	9.53	10.16	15.00	2.00	2.00	4.45	21.8	4.1	650	222000	0.69	✓	✓	✓

#Based on ANSI 40 chain.

†Based on ANSI 2050 extended pitch chain.

Sidebow chain, unlike standard chain, is manufactured with larger clearances between the pin and bush diameters. Therefore, the tolerance over a length of chain is +0.3% and not +0.15% as for standard chain.

Renold sidebow chain

Application:

Renold sidebow chain is used on curved track conveyors in the bottling, packaging, canning and textile industries. Some typical applications for this chain are:

- To operate a live-roll conveyor on a power curve
- To carry materials around a curve by use of attachments or slats
- To transmit power where abnormal chain twist may be encountered

Product description

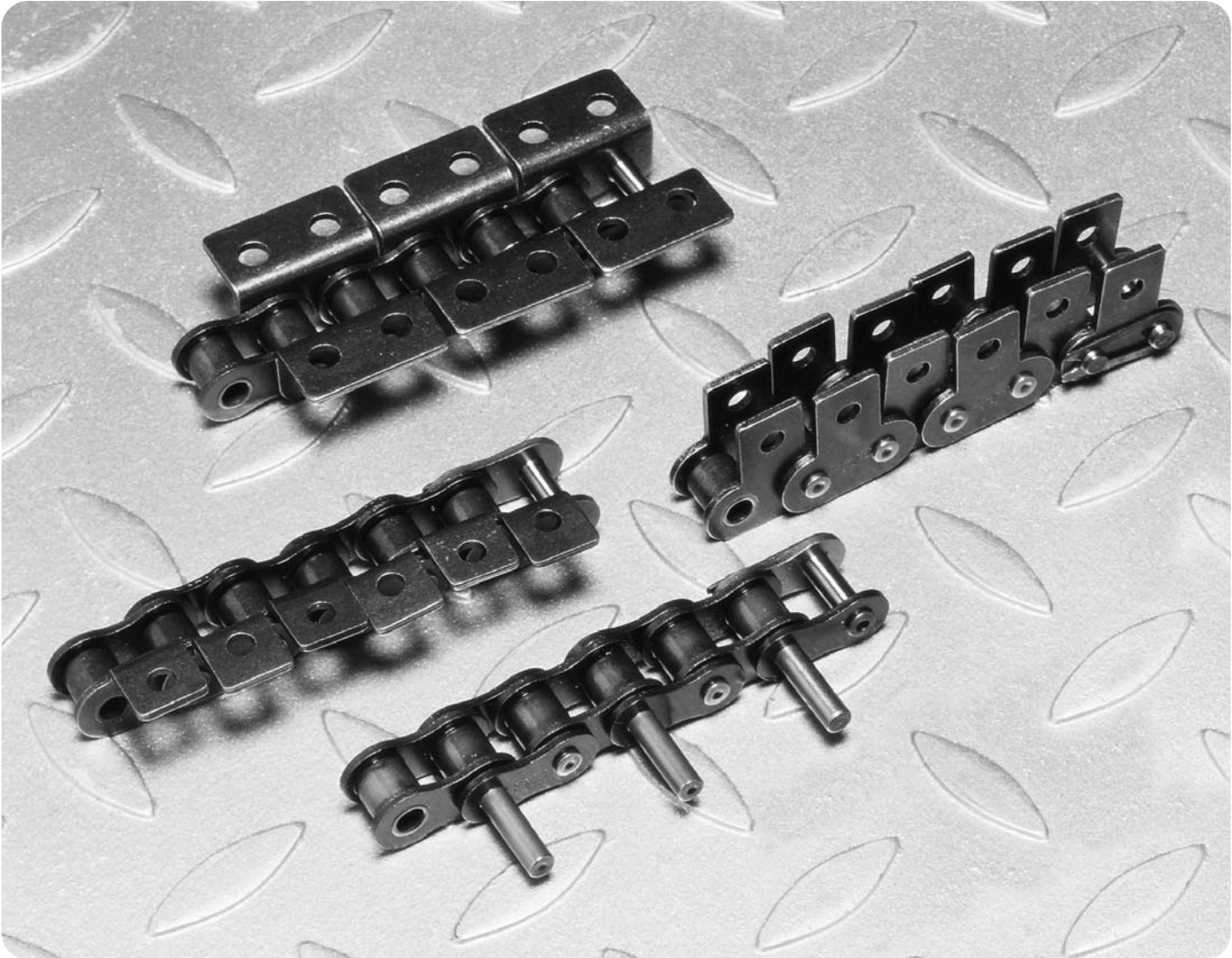
Renold sidebow chain is based on the ANSI and British Standard chain of its respective pitch size. The design of the chain requires a special pin diameter resulting in greater clearance between the pin and bush, allowing the chain to bow.

Attachments can be supplied for this chain, but are made to order. Selection of the chain is not covered in our selection procedures and we advise you to consult our technical staff with the details of your application.

Chain should be protected against dirt/moisture and be lubricated with good quality non-detergent petroleum based oil. Renold Sidebow Chain is pre-lubricated before despatch, but like all chain it needs regular re-lubrication during its working life.

For the majority of applications between -5°C and 60°C, a range of multigrade SAE 20/50 oil would be suitable. Special lubrication or coatings can be provided to match your applicational needs.

Standard Attachments



▲
Clockwise from top
K2 attachment, M1 attachment,
extended bearing pin & K1 attachment

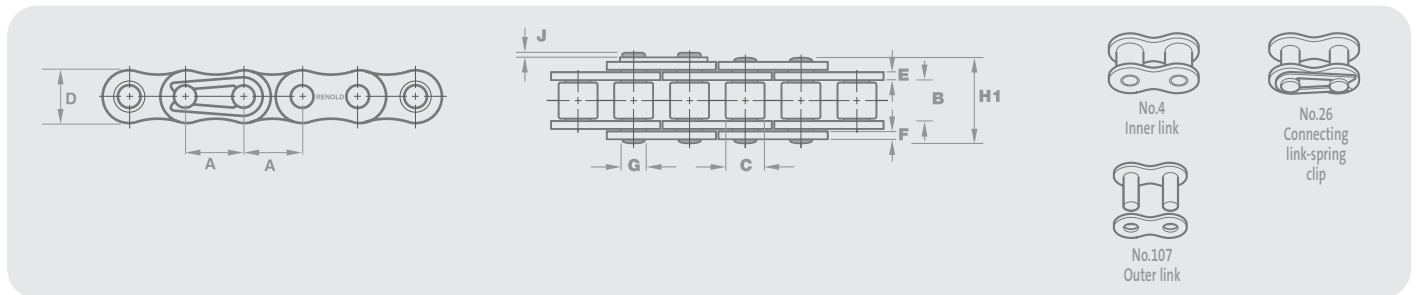
Standard Attachments

European (BS) Standard / ISO 606

Renold standard power transmission chain can be adapted for conveying duties by the fitment of attachments shown on these pages. The attachments can be assembled on one or both sides of the chain at any desired pitch spacing.

- Note:
1. K2 attachments cannot be assembled on adjacent inner and outer links on the same side of the chain.
 2. M1 attachments cannot be assembled next to a No. 30 Cranked link double joint.

Bearing pins with an extension on one side of the chain can be built into chain at any desired pitch spacing and afford a simple means by which attachments or tubular staybars may be secured to chain. The pins for BS/DIN series chain are grooved for standard external type circlips to BS 3673 Part 2 (not supplied) so that, if required, attachments may be retained endwise or can be supplied as a standard straight extended pin.



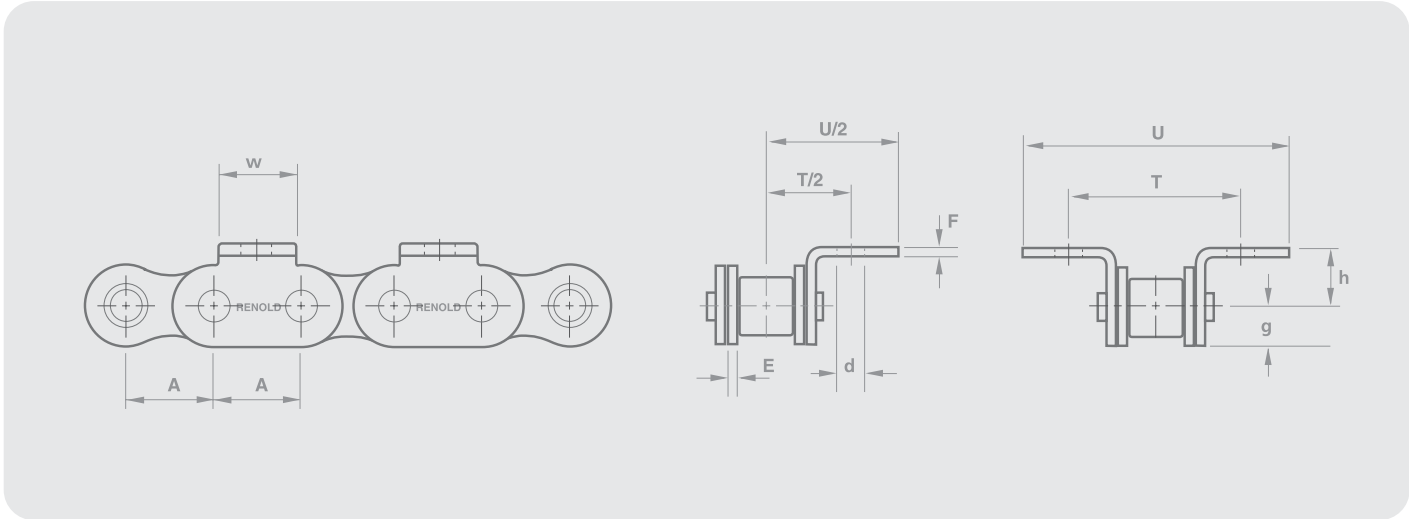
Chain Ref.		Technical Details (mm)											
Renold Chain No.	ISO Ref.	Pitch (inch)	Pitch (mm)	Inside Width	Roller Diam.	Plate Height	Plate Width Inner	Plate Width Outer	Pin Diam.	Pin Length	Conn. Link Extension	ISO606 Tensile Strength (Newtons)	Weight
				MIN	MAX	MAX	MAX	MAX	MAX	MAX	MAX	MIN	kg/m

European (BS) Standard - Simplex

		A	A	B	C	D	E	F	G	H1	J	K	
08B1	08B-1	0.500	12.700	7.75	8.51	11.81	1.55	1.55	4.45	17.0	3.9	17800	0.70
10B1	10B-1	0.625	15.875	9.65	10.16	14.73	1.55	1.55	5.08	19.6	4.1	22200	0.92
12B1	12B-1	0.750	19.050	11.68	12.07	16.13	1.80	1.80	5.72	22.7	4.6	28900	1.20
16B1	16B-1	1.000	25.400	17.02	15.88	21.08	4.12	3.10	8.28	36.1	5.4	60000	2.80
20B1	20B-1	1.250	31.750	19.56	19.05	26.42	4.62	3.61	10.19	43.2	6.1	95000	3.85
24B1	24B-1	1.500	38.100	25.40	25.40	33.40	6.10	5.08	14.63	53.4	6.6	160000	7.45

K1 Attachments

Renold & ISO 606



Chain Ref.		Technical Details (mm)									
Renold Chain No.	ISO Ref.	Pitch (inch)	Pitch (mm)								

Renold Standard

		A	A	E	F	w	h	d	g	T	U
08B1	08B	0.500	12.700	1.57	1.57	11.56	8.89	4.19	6.80	23.80	37.92
10B1	10B	0.625	15.875	1.57	1.57	12.83	10.16	4.98	6.80	31.75	44.45
12B1	12B	0.750	19.050	1.83	1.83	16.64	13.49	7.14	8.02	38.10	59.66
16B1	16B	1.000	25.400	4.06	3.10	24.32	15.24	6.68	10.27	47.63	74.45
20B1	20B	1.250	31.750	4.62	3.61	25.59	19.84	8.08	12.58	63.50	93.62

ISO Standard

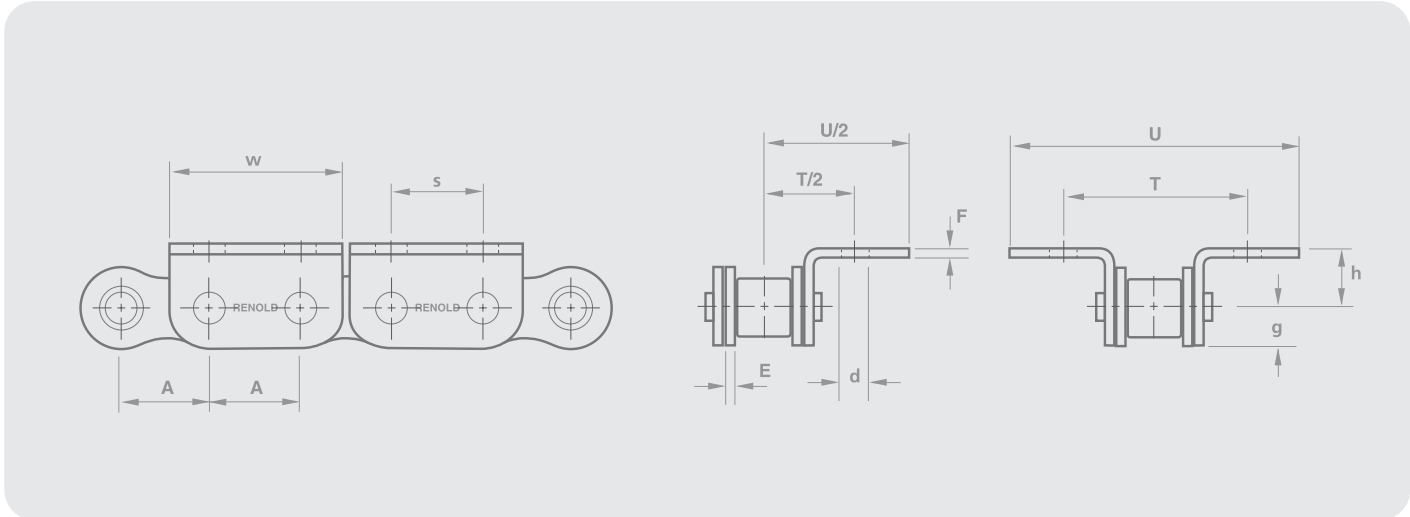
		A	A	E	F	w	h	d	g	T	U
1161	04	0.236	6.000	0.57	0.57	5.8	4.5	2.3	2.5	11.2	17.6
05B1	05B	0.315	8.000	0.73	0.73	7.8	5.3	2.3	3.4	13.5	21.5
06B1*	06B	0.375	9.525	1.25	1.00	8.0	6.7	3.3	4.1	19.6	28.5
08B1	08B	0.500	12.700	1.51	1.51	11.0	8.9	4.3	5.9	25.4	41.7
10B1	10B	0.625	15.875	1.51	1.51	14.0	10.3	5.3	6.8	31.8	49.0
12B1	12B	0.750	19.050	1.76	1.76	18.0	13.5	6.6	8.1	38.1	52.7
16B1	16B	1.000	25.400	3.70	3.00	24.0	15.9	6.6	10.5	50.8	85.6
20B1	20B	1.250	31.750	4.40	3.50	30.0	19.9	8.4	13.2	63.5	101.0
24B1	24B	1.500	38.100	5.40	5.00	36.0	28.0	10.5	16.7	88.0	124.7

* Straight plate



K2 Attachments

Renold & ISO 606



Chain Ref.		Technical Details (mm)										
Renold Chain No.	ISO Ref.	Pitch (inch)	Pitch (mm)									

Renold Standard

		A	A	E	F	h	d	g	w	s	T	U
08B1	08B	0.500	12.700	1.57	1.57	8.890	4.85	6.80	24.50	12.700	25.40	40.46
10B1	10B	0.625	15.875	1.57	1.57	10.160	4.98	6.80	29.97	15.875	31.75	45.57
12B1	12B	0.750	19.050	1.83	1.83	11.430	5.54	8.02	35.48	19.050	34.93	51.13
16B1	16B	1.000	25.400	4.06	3.10	15.875	8.08	10.27	45.91	25.400	57.15	78.26
20B1	20B	1.250	31.720	4.62	3.61	19.840	8.08	12.58	58.10	31.750	63.50	93.62

ISO Standard

		A	A	E	F	h	d	g	w	s	T	U
1161	04	-	6.000	0.57	0.57	4.5	2.3	2.5	11.1	6.0	11.2	17.6
05B1	05B	-	8.000	0.73	0.73	5.3	2.3	3.4	14.8	8.0	13.5	21.5
06B1*	06B	0.375	9.525	1.25	1.00	6.7	3.3	4.1	19.6	9.5	19.6	28.5
08B1	08B	0.500	12.700	1.51	1.51	8.9	4.3	5.9	24.4	12.7	25.4	41.7
10B1	10B	0.625	15.875	1.51	1.51	10.3	5.3	6.8	29.9	15.9	31.8	49.6
12B1	12B	0.750	19.050	1.76	1.76	13.5	6.6	8.1	35.4	19.0	38.1	48.8
16B1	16B	1.000	25.400	3.70	3.00	15.9	6.6	10.5	46.2	26.4	50.8	85.6
20B1	20B	1.250	31.750	4.40	3.50	19.9	8.4	13.2	57.0	31.7	63.5	101.0
24B1	24B	1.500	38.100	5.40	5.00	28.0	10.5	16.7	71.5	38.1	88.0	124.7

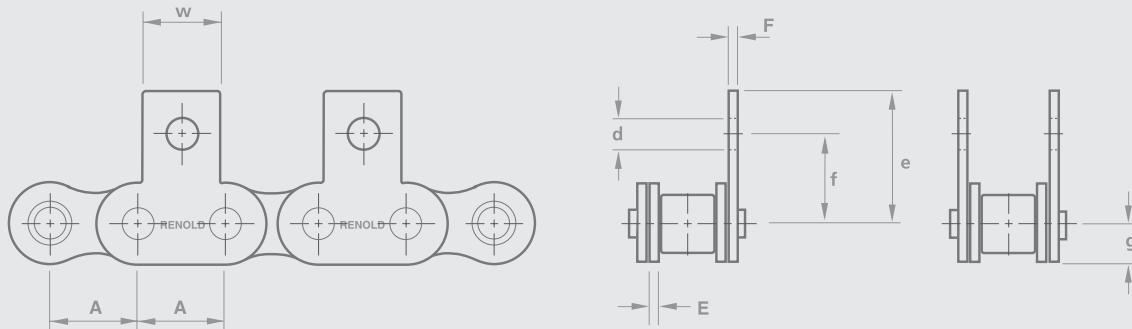
* Straight plate



M1 Attachments

Renold & ISO 606

Section 1



Chain Ref.		Technical Details (mm)								
Renold Chain No.	ISO Ref.	Pitch (inch)	Pitch (mm)							

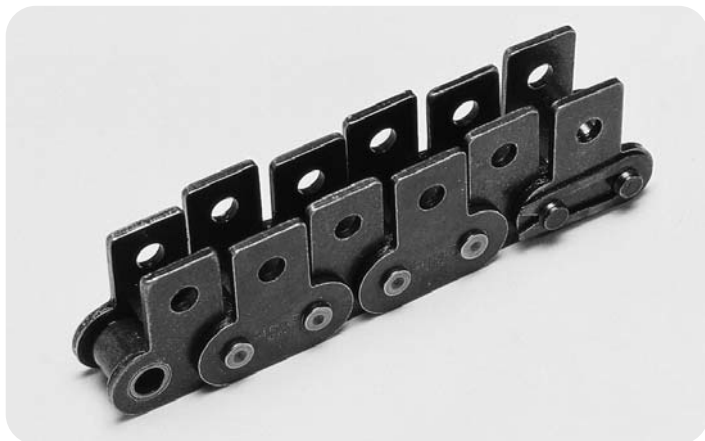
Renold Standard

		A	A	E	F	w	e	f	d	g
08B1	08B	0.500	12.700	1.57	1.57	11.56	19.00	12.700	4.19	6.80
10B1	10B	0.625	15.875	1.57	1.57	12.83	22.54	15.875	4.98	6.80
12B1	12B	0.750	19.050	1.83	1.83	16.64	31.98	22.230	7.14	8.02
16B1	16B	1.000	25.400	4.06	3.10	24.32	34.13	23.800	6.73	10.27
20B1	20B	1.250	31.750	4.62	3.61	25.59	46.02	31.750	8.20	12.58

ISO Standard

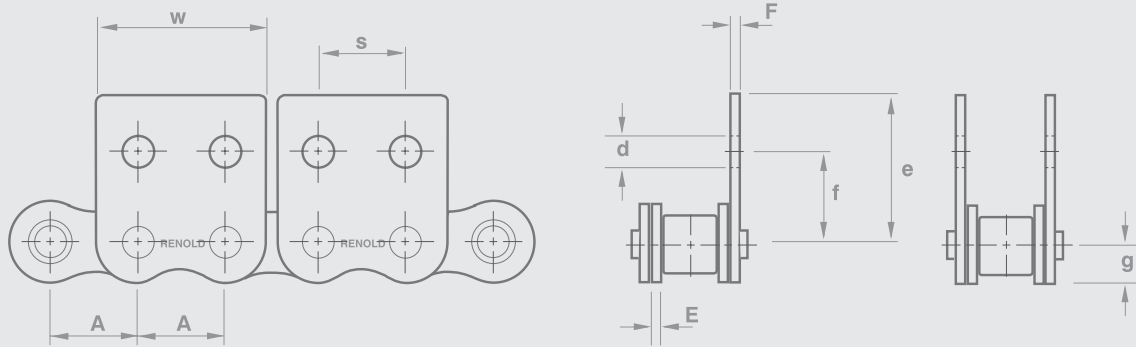
		A	A	E	F	w	e	f	d	g
1161	04	-	6.000	0.57	0.57	5.80	10.0	6.8	2.3	2.5
05B1	05B	-	8.000	0.73	0.73	7.80	11.9	8.6	2.3	3.4
06B1*	06B	0.375	9.525	1.25	1.00	8.00	14.5	10.1	3.3	4.1
08B1	08B	0.500	12.700	1.51	1.51	11.00	20.8	13.0	4.3	5.9
10B1	10B	0.625	15.875	1.51	1.51	14.00	24.9	16.5	5.3	6.8
12B1	12B	0.750	19.050	1.76	1.76	18.00	28.2	21.0	6.6	8.1
16B1	16B	1.000	25.400	3.70	3.00	24.00	39.7	23.0	6.6	10.5
20B1	20B	1.250	31.750	4.40	3.50	30.00	47.5	30.5	8.4	13.2
24B1	24B	1.500	38.100	5.40	5.00	36.00	61.5	42.7	10.5	16.7

*Straight plate



M2 Attachments

ISO 606



Chain Ref.		Technical Details (mm)									
Renold Chain No.	ISO Ref.	Pitch (inch)	Pitch (mm)								

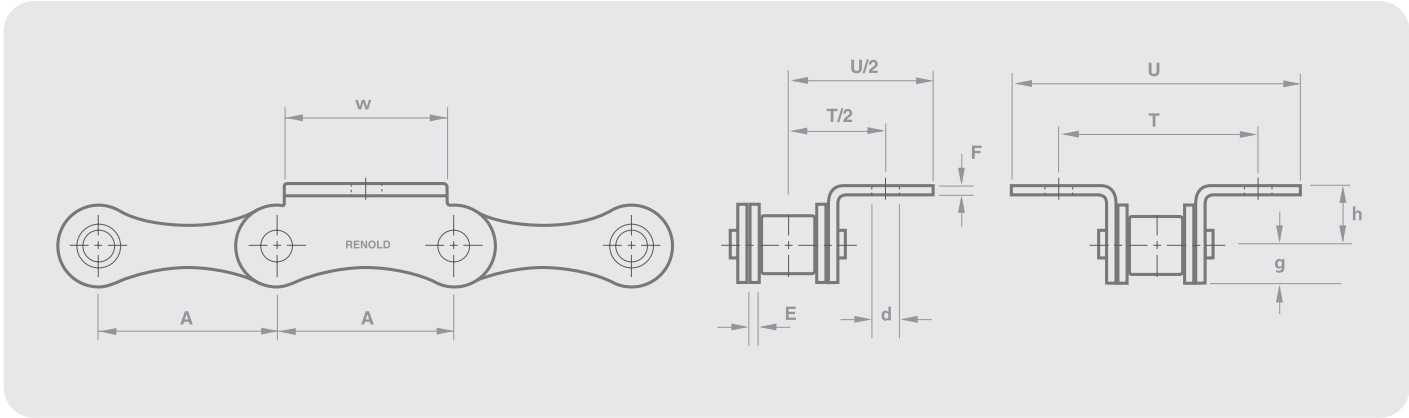
ISO Standard

		A	A	E	F	e	f	d	g	w	s
1161	04	-	6.000	0.57	0.57	10.0	6.8	2.3	2.5	11.1	6.0
05B1	05B	-	8.000	0.73	0.73	11.9	8.6	2.3	3.4	14.8	8.0
06B1*	06B	0.375	9.525	1.25	1.00	14.5	10.1	3.3	4.1	17.6	9.5
08B1	08B	0.500	12.700	1.51	1.51	20.8	13.0	4.3	5.9	24.4	12.7
10B1	10B	0.625	15.875	1.51	1.51	24.9	16.5	5.3	6.8	29.9	15.9
12B1	12B	0.750	19.050	1.76	1.76	28.2	21.0	6.6	8.1	35.4	19.0
16B1	16B	1.000	25.400	3.70	3.00	39.7	23.0	6.6	10.5	46.2	25.4
20B1	20B	1.250	31.750	4.40	3.50	47.5	30.5	8.4	13.2	57.0	31.7
24B1	24B	1.500	38.100	5.40	5.00	61.5	42.7	10.5	16.7	71.5	38.1

* Straight plate



Double Pitch K1/K2 Attachments

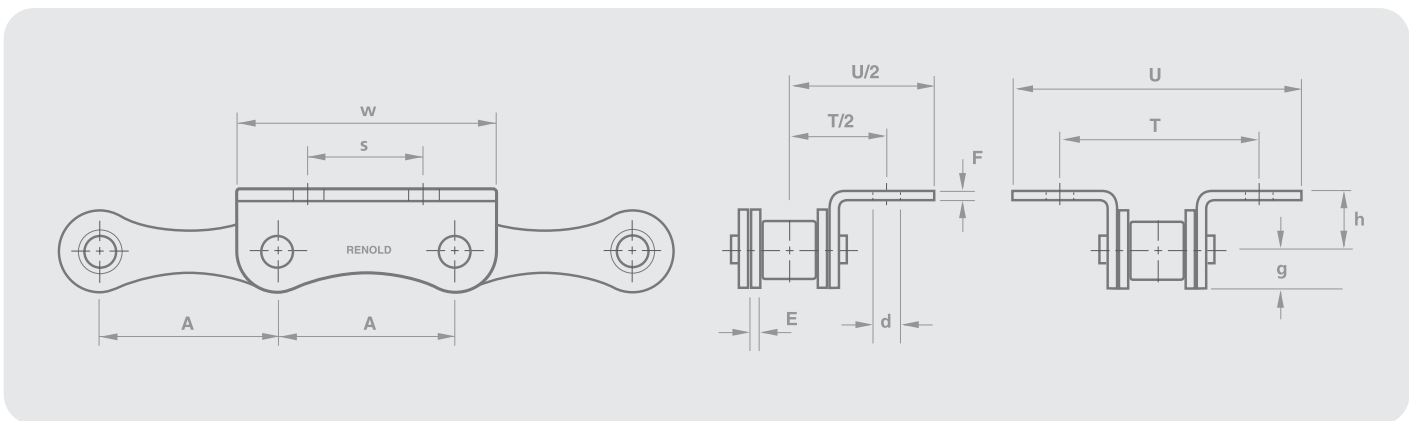


Chain Ref.		Technical Details (mm)									
Renold Chain No.	ISO Ref.	Pitch (inch)	Pitch (mm)								

Renold BS K1 Attachments

		A	A	E	F	w	h	d	g	T	U
113083*	208B	1.00	25.40	1.51	1.51	23.8	8.5	4.3	5.8	27.6	42.5
113103*	210B	1.25	31.75	1.51	1.51	25.4	10.5	5.3	7.4	31.6	48.5
113123*	212B	1.50	38.10	1.76	1.76	20.0	12.2	6.4	8.2	35.2	54.8
113168	216B	2.00	50.80	3.70	3.00	40.0	17.0	8.4	10.3	58.0	83.8
113203	220B	2.50	63.50	4.40	4.10	40.0	21.0	10.5	11.3	69.0	98.7
113243	224B	3.00	76.20	5.40	5.00	70.0	28.0	10.5	16.7	88.0	124.7

*Straight plate



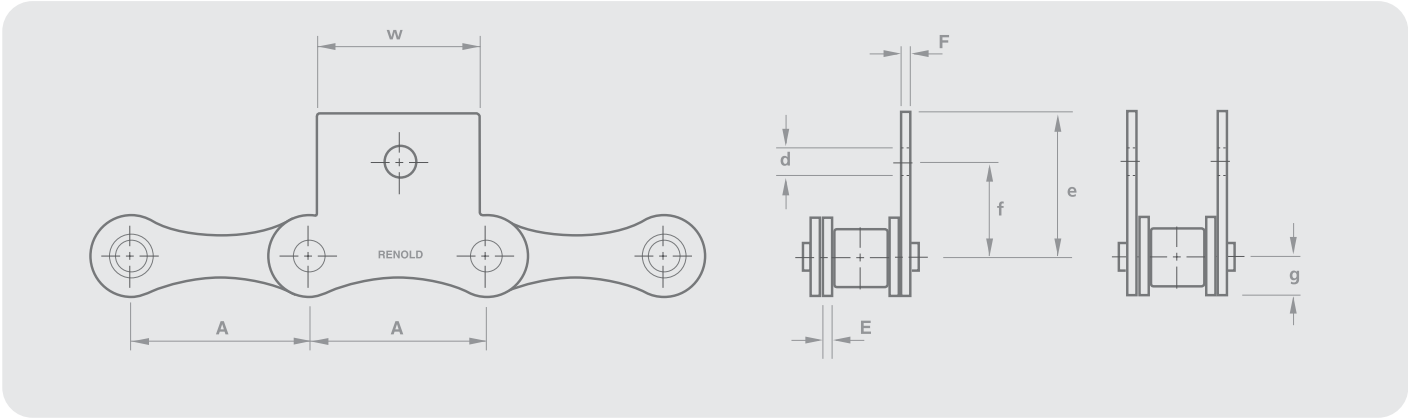
Chain Ref.		Technical Details (mm)									
Renold Chain No.	ISO Ref.	Pitch (inch)	Pitch (mm)								

Renold BS K2 Attachments

		A	A	E	F	h	d	g	w	s	T	U
113083*	208B	1.00	25.40	1.51	1.51	8.5	4.3	5.8	37.1	12.7	27.6	42.5
113103*	210B	1.25	31.75	1.51	1.51	10.5	5.3	7.4	46.7	15.8	31.6	48.5
113123*	212B	1.50	38.10	1.76	1.76	12.2	6.4	8.2	54.4	19.0	35.2	54.8
113168	216B	2.00	50.80	3.70	3.00	17.0	8.4	10.3	71.3	25.4	58.0	83.8
113203	220B	2.50	63.50	4.40	4.10	21.0	10.5	11.3	86.5	31.7	69.0	98.7

*Straight plate

Double Pitch M1/M2 Attachments

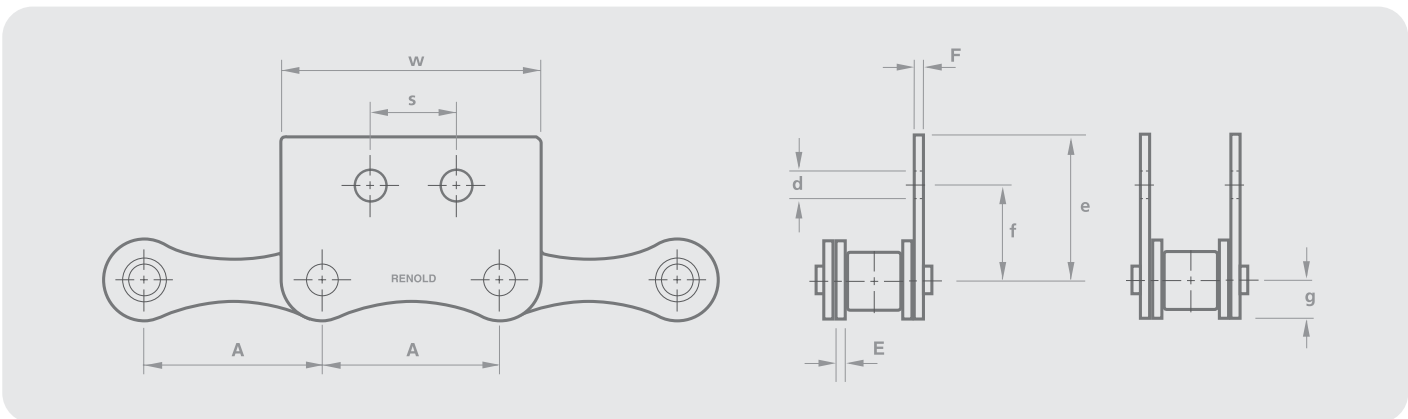


Chain Ref.		Technical Details (mm)								
Renold Chain No.	ISO Ref.	Pitch (inch)	Pitch (mm)							

Renold BS M1 Attachments

		A	A	E	F	w	e	f	d	g
113083*	208B	1.00	25.40	1.51	1.51	23.8	20.8	13.7	4.3	5.8
113103*	210B	1.25	31.85	1.51	1.51	25.4	24.9	16.5	5.3	7.4
113123*	212B	1.50	38.10	1.73	1.73	20.0	28.3	18.5	6.4	8.2
113168	216B	2.00	50.80	3.70	3.00	40.0	40.0	27.4	8.4	10.3
113203	220B	2.50	63.50	4.40	4.10	40.0	48.7	33.0	10.5	11.3
113243	224B	3.00	76.20	5.40	5.00	70.0	61.5	42.7	10.5	16.7

* Straight plate



Chain Ref.		Technical Details (mm)								
Renold Chain No.	ISO Ref.	Pitch (inch)	Pitch (mm)							

Renold BS M2 Attachments

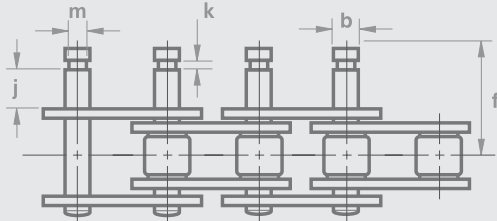
		A	A	E	F	e	f	d	g	w	s
113083*	208B	1.00	25.40	1.51	1.51	20.8	13.7	4.3	5.8	37.1	12.7
113103*	210B	1.25	31.75	1.51	1.51	24.9	16.5	5.3	7.4	46.7	15.8
113123*	212B	1.50	38.10	1.76	1.76	28.3	18.5	6.4	8.2	54.4	19.0
113168	216B	2.00	50.80	3.70	3.00	40.0	27.4	8.4	10.3	71.3	25.4
113203	220B	2.50	63.50	4.40	4.10	48.7	33.0	10.5	11.3	86.5	31.7
113243	224B	3.00	76.20	5.40	5.00	61.5	42.7	10.5	16.7	-	38.1

* Straight plate

Extended Bearing Pins

European (BS) Standard / ISO 606

Extended pin + circlip groove (type C)
to suit standard external circlips to BS3673 Part 2



Unit assemblies



No 163
Outer link



No 165
Connecting link - spring clip



No 164
Outer link



No 166
Connecting link - spring clip

Chain Ref.		Technical Details (mm)						
Renold Chain No.	ISO Ref.	Pitch (inch)	Pitch (mm)	Pin Diam.	Extension Length to Circlip Groove	Circlip Groove Width	Circlip Groove Diam.	Chain track from chain Centre line
				MAX	MAX	MIN	MIN	MAX

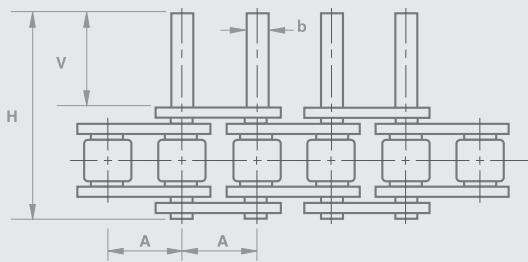
Type C

		A	A	b	j	k	m	f
08B1	08B-1	0.500	12.700	4.45	7.19	0.58	3.18	17.78
10B1	10B-1	0.625	15.875	5.08	9.45	0.71	3.73	21.34
12B1	12B-1	0.750	19.050	5.72	11.81	0.71	4.78	25.15
16B1	16B-1	1.000	25.400	8.28	15.75	1.02	6.93	36.58



Extended pins with circlip groove

Extended pin (type D)



Unit assemblies



No 563
Outer link



No 565
Connecting link - spring clip



No 564
Outer link



No 566
Connecting link - spring clip

Chain Ref.		Technical Details (mm)				
Renold Chain No.	ISO Ref.	Pitch (inch)	Pitch (mm)	Pin Diam.	Extension Length	Pin Length
				±0.01	±0.25	MAX

Type D - ISO 606

		A	A	b	v	h
06B1*	06B-1	0.375	9.525	3.28	11.3	23.8
08B1	08B-1	0.500	12.700	4.45	14.8	31.0
10B1	10B-1	0.625	15.875	5.08	17.6	36.2
12B1	12B-1	0.750	19.050	5.72	20.7	42.4
16B1	16B-1	1.000	25.400	8.28	33.3	68.0
20B1	20B-1	1.250	31.750	10.19	38.3	79.7
24B1	24B-1	1.500	38.100	14.63	50.3	101.8

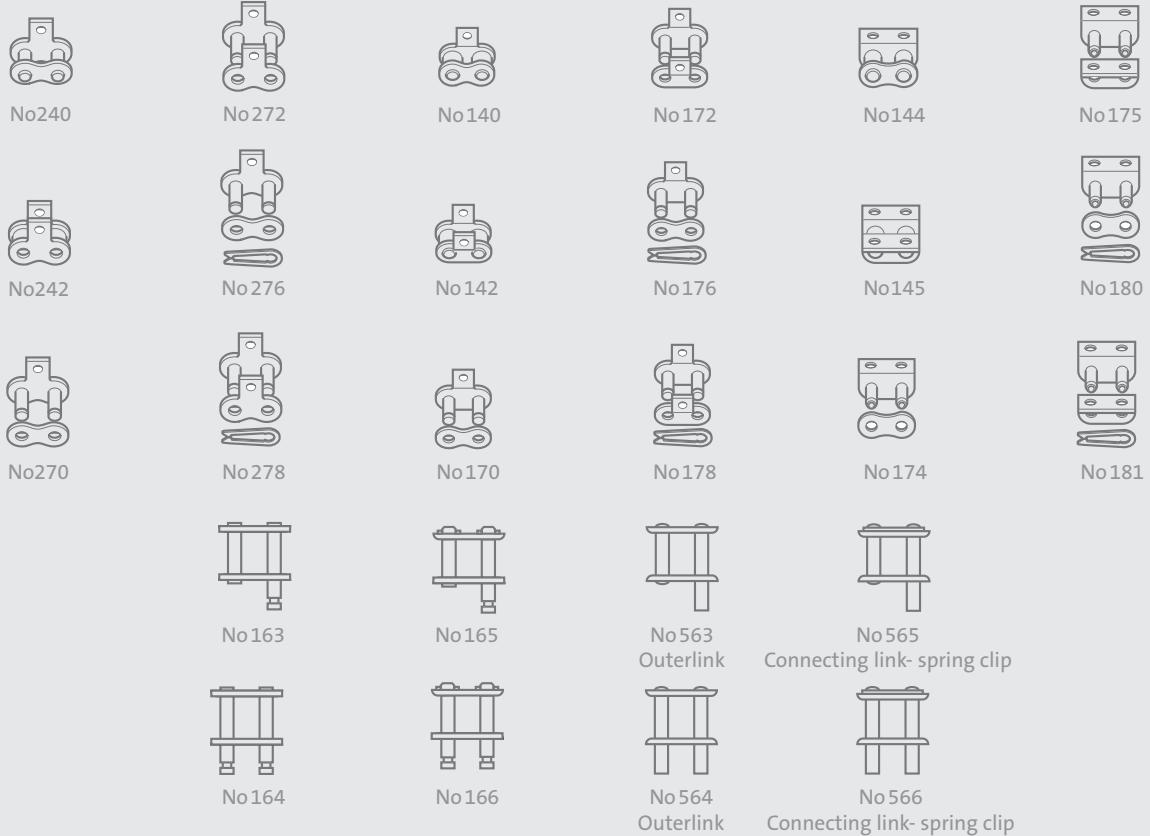


Straight extended pin

* Straight side plate

Attachment Chain Connecting Links

European (BS) Standard / ISO 606



Special or adapted roller chain

In addition to our ranges of standard series chain we can also offer:

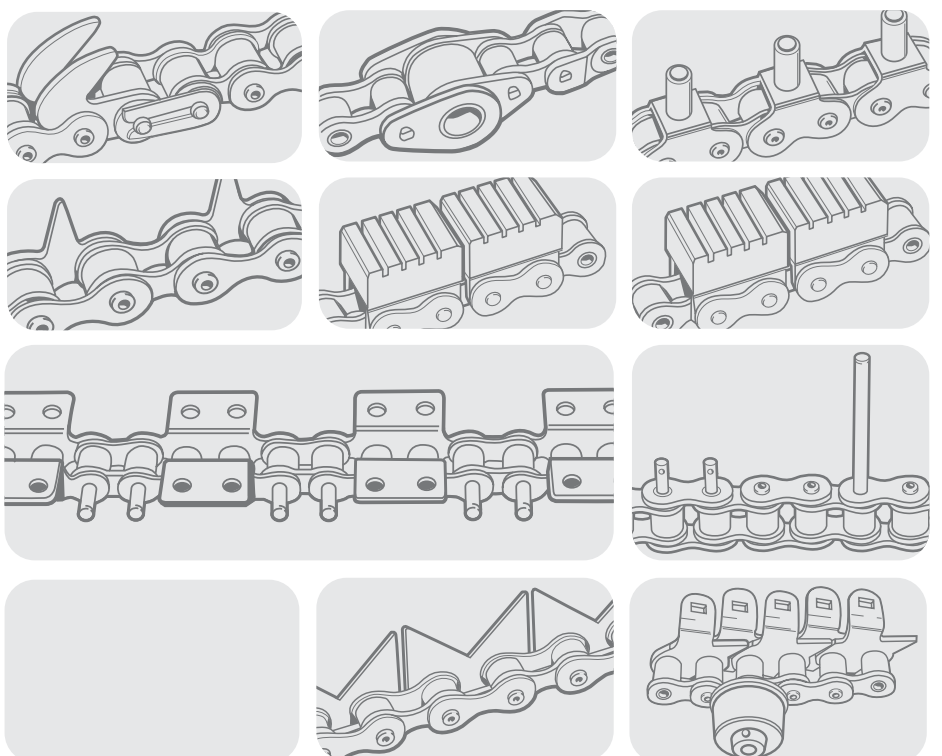
- Roller Chain up to 300mm pitch and 450 tonnes breaking load
- Standard Series Chain adapted to your unique needs with special attachments
- Special Chain designed with integral attachments to meet individual requirements

Renold adapted chain can be in the form of special plates, pin rollers, or blocks which can be designed, manufactured and assembled into chain of all pitch sizes.

Attachments can be made from normal materials, stainless steel or plastics.

We will be pleased to receive details of your requirements and evaluate them for strength, durability, price and despatch. They can be manufactured from your own designs or adapted from existing drawings.

The illustrations show only a small selection of the wide range of variants and these chains have been used successfully in many branches of industry for the feeding, conveying and discharge of a variety of products.



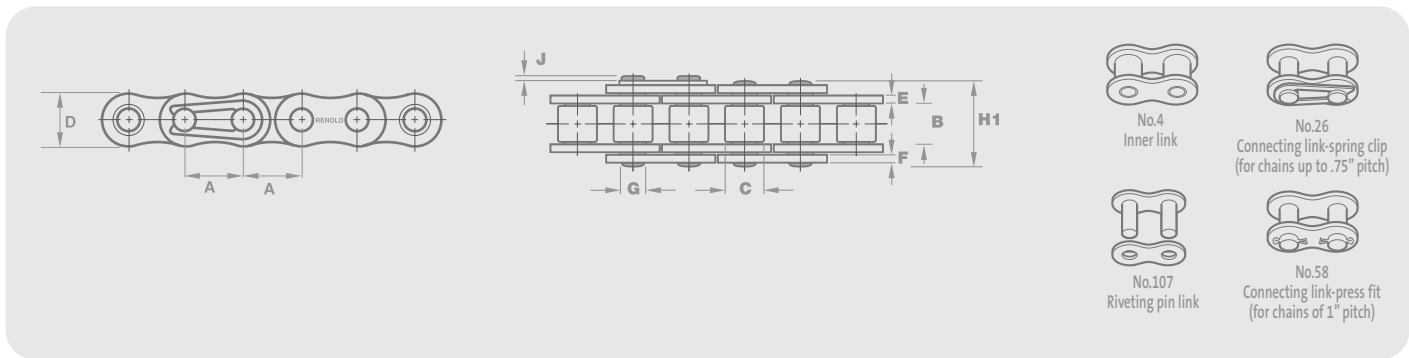
Standard Attachments

ANSI standard

Renold standard power transmission chain can be adapted for conveying duties by the fitment of attachments shown on these pages. The attachments can be assembled on one or both sides of the chain at any desired pitch spacing.

- Note:
1. K2 attachments cannot be assembled on adjacent inner and outer links on the same side of the chain.
 2. M1 attachments cannot be assembled next to a No. 30 (Cranked link double) joint.

Bearing pins with an extension on one side of the chain can be built into chain at any desired pitch spacing and afford a simple means by which attachments or tubular staybars may be secured to chain.



Chain Ref.		Technical Details (mm)											
Renold Chain No.	ANSI Ref.	Pitch (inch)	Pitch (mm)	Inside Width	Roller Diam.	Plate Height	Plate Width Inner	Plate Width Outer	Pin Diam.	Pin Length	Conn. Link Extension	ISO606 Tensile Strength (Newtons)	Weight kg/m
				MIN	MAX	MAX	MAX	MAX	MAX	MAX	MAX	MIN	

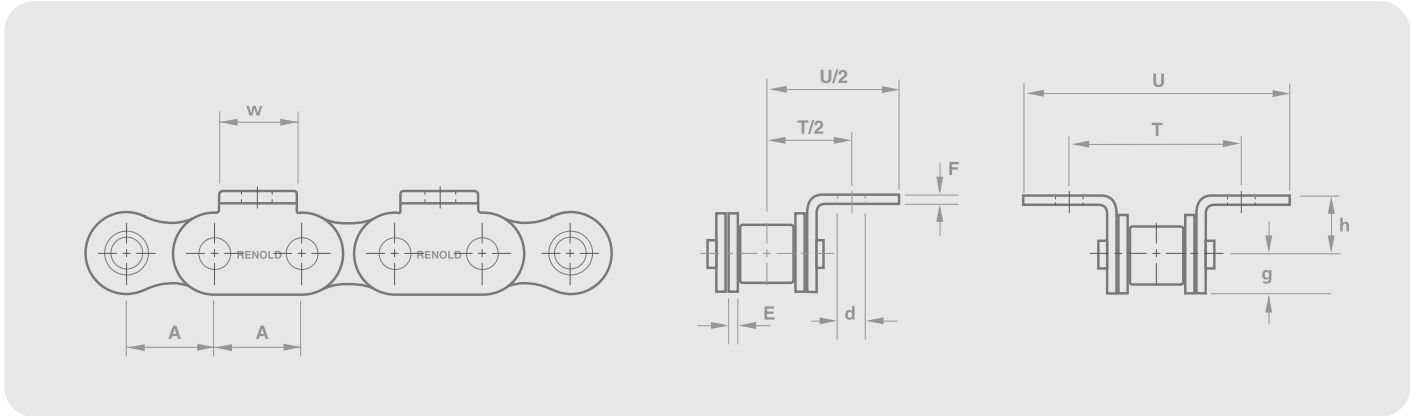
ANSI Standard - Simplex

		A	A	B	C	D	E	F	G	H1	J	K	
35A1 [†]	35	0.375	9.525	4.68	5.080 [∞]	8.66	1.30	1.30	3.59	15.5	3.3	7900	0.33
40A1	40	0.500	12.700	7.85	7.920	11.15	1.55	1.55	3.98	17.8	3.9	13900	0.63
50A1	50	0.625	15.875	9.40	10.160	14.55	2.03	2.03	5.07	21.8	4.1	21800	1.05
60A1	60	0.750	19.050	12.58	11.910	17.45	2.39	2.39	5.96	26.9	4.6	31300	1.55
80A1	80	1.000	25.400	15.75	15.880	24.05	3.25	3.25	7.93	33.5	5.4	55600	2.80

[†] Bush chain [∞] Bush diameter.

K1 Attachments

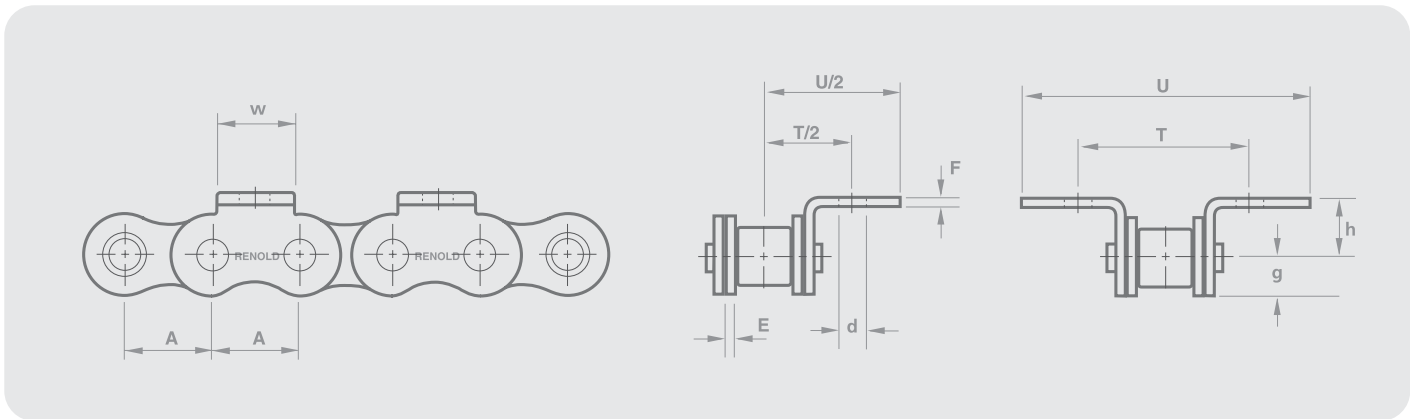
ANSI B29.100 / ISO 606



Chain Ref.		Technical Details (mm)									
Renold Chain No.	ANSI Ref.	Pitch (inch)	Pitch (mm)								

ANSI Standard

		A	A	E	F	w	h	d	g	T	U
40A1	40	0.500	12.700	1.52	1.52	9.50	7.900	3.20	6.01	25.3	35.30
50A1	50	0.625	15.875	2.03	2.03	12.70	10.300	5.20	7.54	31.8	46.02
60A1	60	0.750	19.050	2.39	2.39	15.90	12.140	5.20	9.04	38.1	54.23
80A1	80	1.000	25.400	3.15	3.15	19.05	15.875	6.73	11.43	50.8	70.08



Chain Ref.		Technical Details (mm)									
Renold Chain No.	ANSI Ref.	Pitch (inch)	Pitch (mm)								

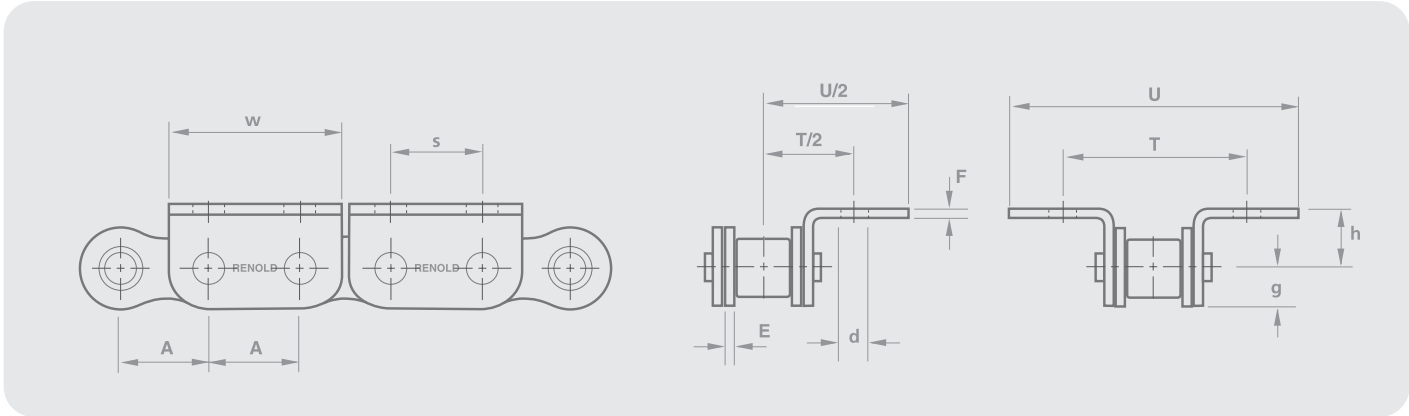
ANSI Standard

		A	A	E	F	w	h	d	g	T	U
40A1	40	0.500	12.700	1.51	1.51	9.5	7.9	3.3	5.5	25.4	35.8
50A1	50	0.625	15.875	2.00	2.00	12.7	10.3	5.3	7.2	31.8	49.8
60A1	60	0.750	19.050	2.40	2.40	15.9	11.9	5.3	8.6	38.2	58.0
80A1	80	1.000	25.400	3.00	3.00	24.0	15.9	6.6	12.1	50.8	82.6

K2 Attachments

ANSI B29.100 / ISO 606

Section 1



Chain Ref.		Technical Details (mm)										
Renold Chain No.	ANSI Ref.	Pitch (inch)	Pitch (mm)									

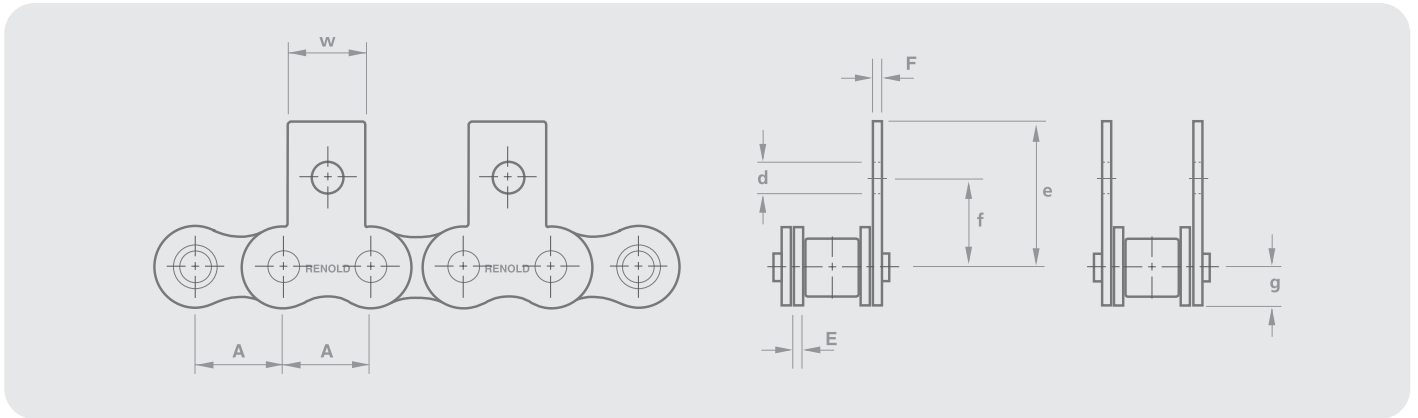
ISO/ANSI Standard

		A	A	E	F	h	d	g	w	s	T	U
40A1	40	0.500	12.700	1.51	1.51	7.9	3.3	5.5	24.0	12.7	25.4	35.8
50A1	50	0.625	15.875	2.00	2.00	10.3	5.3	7.2	29.9	15.8	31.8	49.8
60A1	60	0.750	19.050	2.40	2.40	11.9	5.3	8.6	35.6	19.0	38.2	58.0
80A1	80	1.000	25.400	3.00	3.00	15.9	6.6	12.1	46.2	25.4	50.8	82.6



M1 Attachments

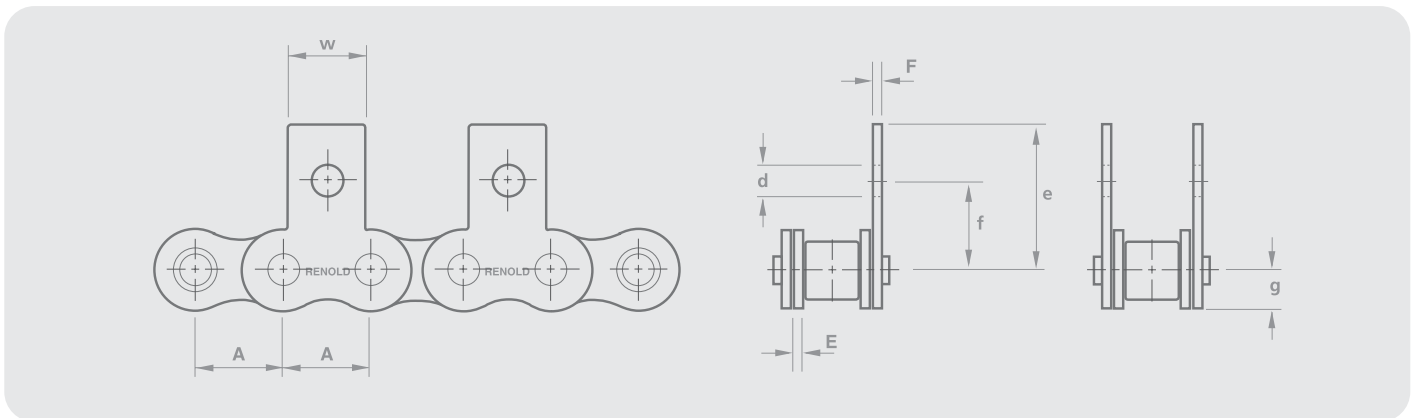
ANSI B29.100 / ISO 606



Chain Ref.		Technical Details (mm)								
Renold Chain No.	ANSI Ref.	Pitch (inch)	Pitch (mm)							

ANSI Standard

		A	A	E	F	w	e	f	d	g
40A1	40	0.500	12.700	1.52	1.52	9.50	17.40	12.42	3.20	6.01
50A1	50	0.625	15.875	2.03	2.03	12.70	22.73	15.70	5.20	7.54
60A1	60	0.750	19.050	2.39	2.39	15.90	26.36	18.19	5.20	9.04
80A1	80	1.000	25.400	3.15	3.15	19.05	34.29	24.59	6.73	11.43



Chain Ref.		Technical Details (mm)								
Renold Chain No.	ISO Ref.	Pitch (inch)	Pitch (mm)							

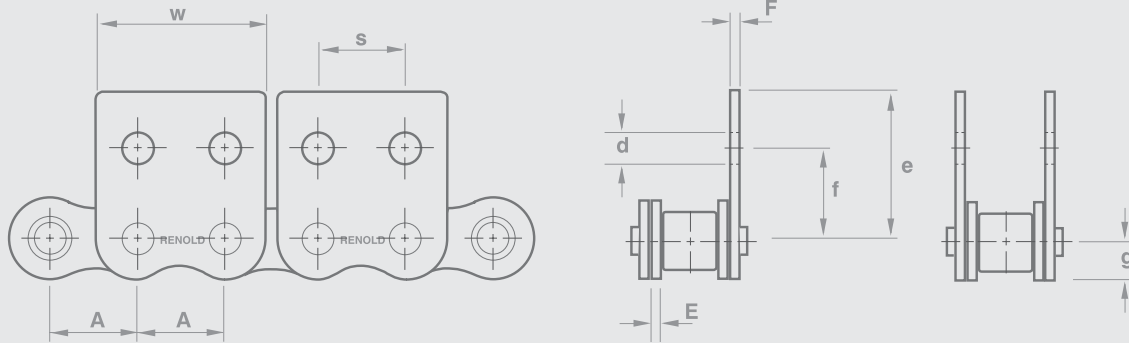
ISO/ANSI Standard

		A	A	E	F	w	e	f	d	g
40A1	40	0.500	12.700	1.51	1.51	9.5	17.5	12.7	3.3	5.5
50A1	50	0.625	15.875	2.00	2.00	12.7	24.6	15.9	5.3	7.2
60A1	60	0.750	19.050	2.40	2.40	15.9	27.4	18.3	5.3	8.6
80A1	80	1.000	25.400	3.00	3.00	24.0	39.7	24.6	6.6	12.1

M2 Attachments

ANSI B29.100 / ISO 606

Section 1



Chain Ref.		Technical Details (mm)									
Renold Chain No.	ANSI Ref.	Pitch (inch)	Pitch (mm)								

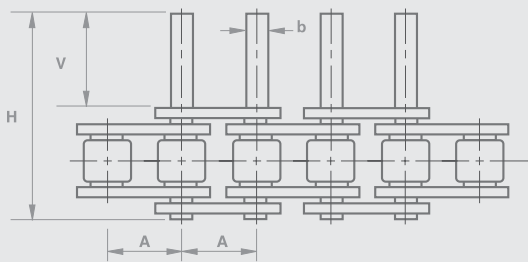
ISO/ANSI Standard

		A	A	E	F	e	f	d	g	w	s
40A1	40	0.500	12.700	1.51	1.51	17.5	12.7	3.3	5.5	24.0	12.7
50A1	50	0.625	15.875	2.00	2.00	24.6	15.9	5.3	7.2	29.9	15.8
60A1	60	0.750	19.050	2.40	2.40	27.4	18.3	5.3	8.6	35.6	19.0
80A1	80	1.000	25.400	3.00	3.00	39.7	24.6	6.6	12.1	46.2	25.4

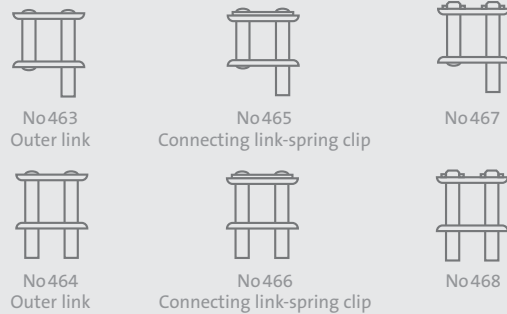
Extended Bearing Pins

ANSI B29.100 / ISO 606

Extended pin (type D)



Unit assemblies



Chain Ref.		Technical Details (mm)				
Renold Chain No.	ANSI Ref.	Pitch (inch)	Pitch (mm)	Pin Diam.	Extension Length	Chain track from chain Centre line

ANSI Standard

		A	A	b	v	h
35A1 ^o	35	0.375	9.525	3.58	9.53	15.5
40A1	40	0.500	12.700	3.96	9.73	18.0
50A1	50	0.625	15.875	5.08	11.89	22.4
60A1	60	0.750	19.050	5.94	14.27	27.2
80A1	80	1.000	25.400	7.92	19.05	35.7

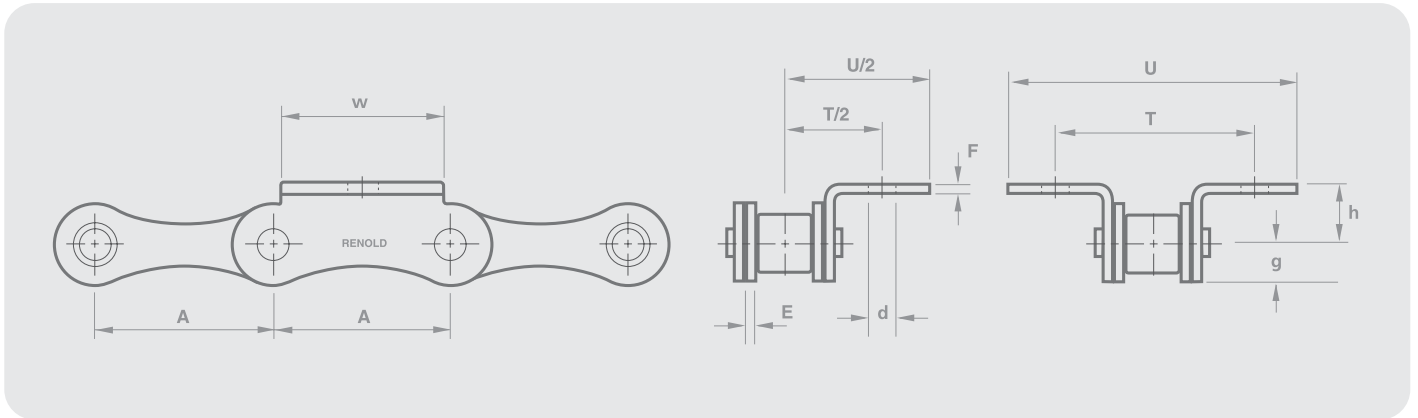
Extended pin



^o Bush chain

Double Pitch K1/M2 Attachments

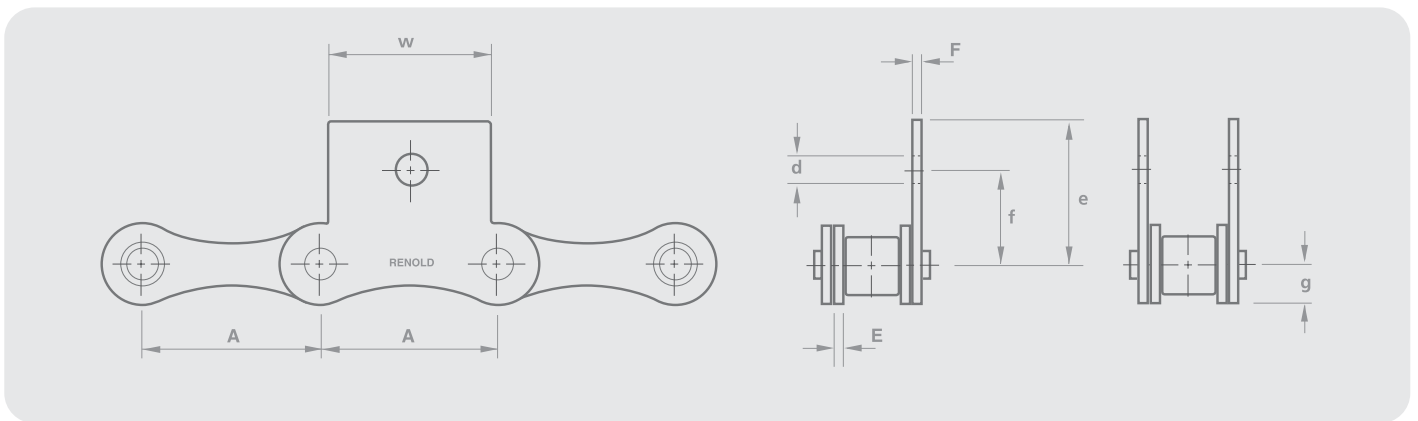
ANSI B29.100 / ISO 606



Chain Ref.		Technical Details (mm)									
Renold Chain No.	ANSI Ref.	Pitch (inch)	Pitch (mm)								

ANSI Standard K1

		A	A	E	F	w	h	d	g	T	U
113040	2040	1.00	25.40	1.51	1.51	23.8	9.1	3.3	5.7	25.4	40.6
113050	2050	1.25	31.75	2.00	2.00	25.4	11.1	5.3	7.4	31.8	48.9
113060	2060	1.50	38.10	2.40	2.40	28.6	14.7	5.3	8.8	42.8	58.0
113560*	C2060	1.50	38.10	3.17	3.17	28.6	14.7	5.3	8.8	42.8	61.6



Chain Ref.		Technical Details (mm)									
Renold Chain No.	ANSI Ref.	Pitch (inch)	Pitch (mm)								

ANSI Standard M1

		A	A	E	F	w	e	f	d	g
113040	2040	1.00	25.40	1.51	1.51	23.8	20.9	11.1	3.3	5.7
113050	2050	1.75	31.75	2.00	2.00	25.4	24.9	14.3	5.3	7.4
113060	2060	1.50	38.10	2.40	2.40	28.6	30.2	19.0	5.3	8.8
113560*	C2060	1.50	38.10	3.17	3.17	28.6	30.2	19.0	5.3	8.8

* Straight Plate

Attachment Chain Connecting Links

ANSI standard



No240



No272



No140



No172



No144



No175



No242



No276



No142



No176



No145



No180



No270



No278



No170



No178



No174



No181



No163*



No167*



No463



No465



No164*



No168*



No464



No466

* Ansi 80

Special or Adapted Roller Chain

In addition to our ranges of standard series chain we can also offer:

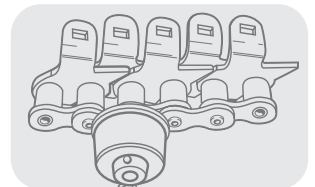
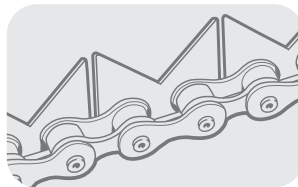
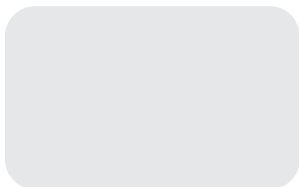
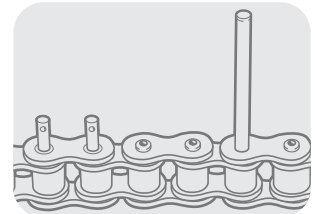
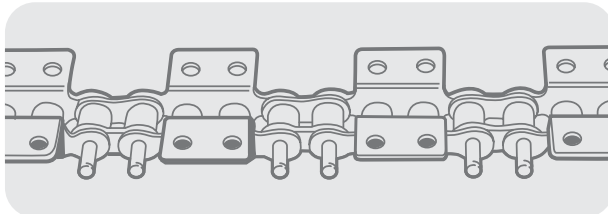
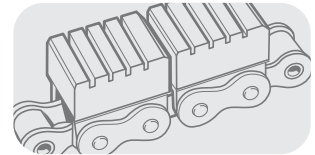
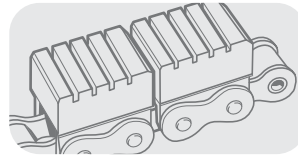
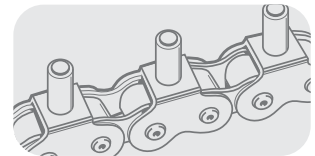
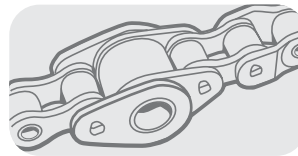
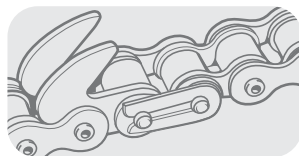
- Roller Chain up to 300mm pitch and 450 tonnes breaking load
- Standard Series Chain adapted to your unique needs with special attachments
- Special Chain designed with integral attachments to meet individual requirements

Renold adapted chain can be in the form of special plates, pin rollers, or blocks which can be designed, manufactured and assembled into chain of all pitch sizes.

Attachments can be made from normal materials, stainless steel or plastics.

We will be pleased to receive details of your requirements and evaluate them for strength, durability, price and despatch. They can be manufactured from your own designs or adapted from existing drawings.

The illustrations show only a small selection of the wide range of variants and these chains have been used successfully in many branches of industry for the feeding, conveying and discharge of a variety of products.



Renold Klik-Top™

Polymer Block Chain

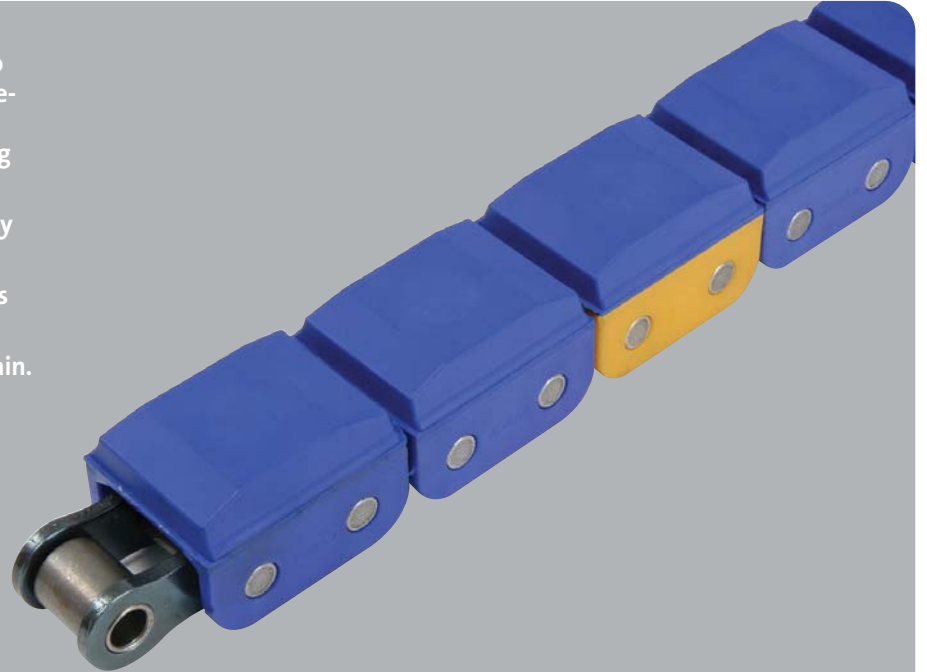
Klik-Top™ polymer block chain is quick to install, strong, suitable for use in hygiene-sensitive areas if required and will cut costly downtime experienced when using conventional polymer block chain.

Klik-Top™ chain ensures reliability, quality and great value for money.

Ideal for conveying delicate items such as glass, wood and packaging.

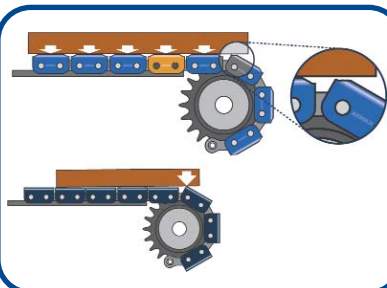
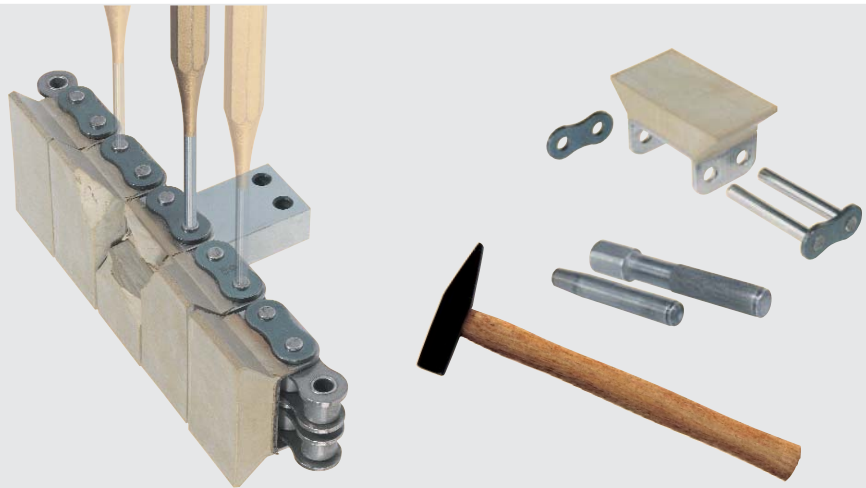
You can have confidence in Klik-Top™ chain.

- Short downtimes - increased productivity
- Durable polymer clip
- Easily replaced in moments
- Food industry approved
- Base chain available in stainless steel



Conventional repair

- Remove chain
- Grind heads of bearing pins
- Push out bearing pins
- Dismantle damaged parts
- Assemble new spare parts
- Test flexibility
- Reinstall chain



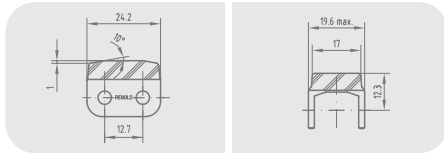
It's easy with Klik-Top™

- Remove damaged clip
- Install new clip

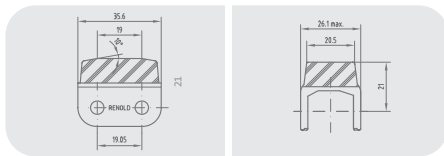


Renold Klik-Top™ Polymer Block Chain

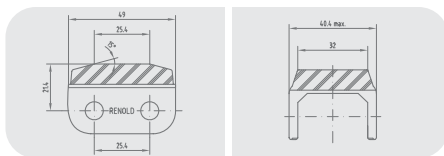
Section 1



Similar DIN/ISO	Renold No.	Part No. Chain	Part No. Conn. link	Part No. Clip
08B-1 08B-1	1603 1603 RF**	1215255 1210314	1317972 1317973	1317979 1317979

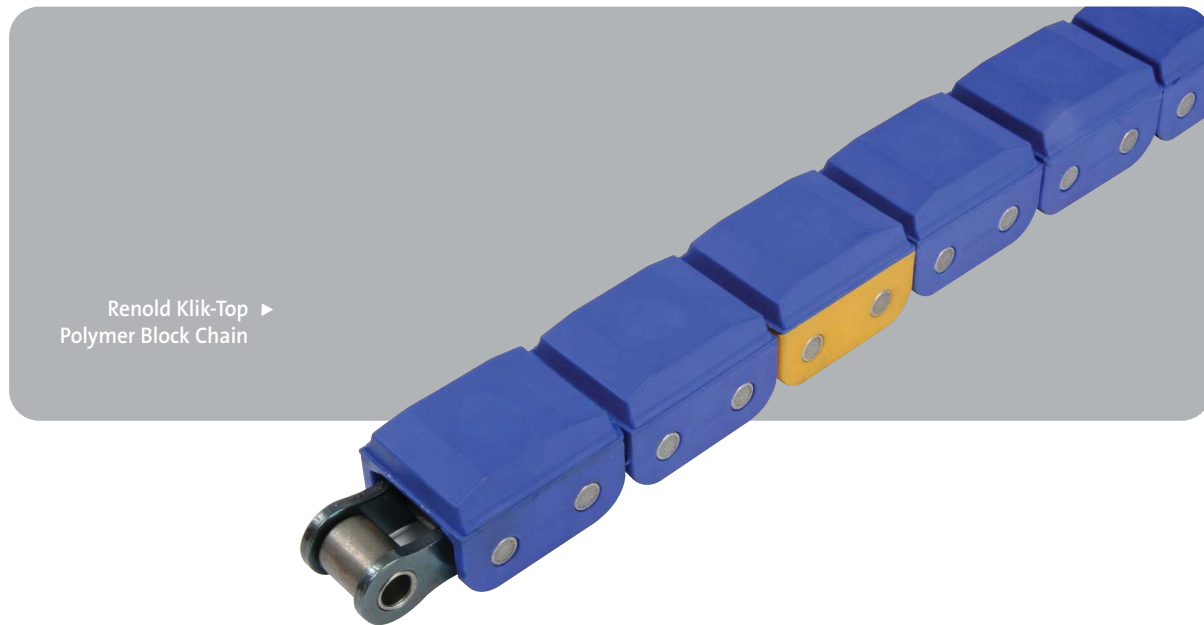


Similar DIN/ISO	Renold No.	Part No. Chain	Part No. Conn. link	Part No. Clip
12B-1 12B-1	1642 1642 RF**	1215541 1210318	1317976 1317977	1317981 1317981



Similar DIN/ISO	Renold No.	Part No. Chain	Part No. Conn. link	Part No. Clip
16B-1 16B-1	1666 1666 RF**	1215390 1210319	1317165 1317978	1317164 1317164

** RF = The chain is made of rustproof and acid-resistant materials.



Renold Klik-Top ▶
Polymer Block Chain

Polymer Block Chain



◀ Example of Renold Rubber Block Chain

Renold Sextuplex Block Chain ▶



Polymer block chain

Renold Polymer Block Chain (Rubber Block Chain) has been specifically designed for use in the **feed, conveying** and on **work discharge** types of applications, where an undamaged surface finish is an essential requirement for your finished product.

Renold Chain has been running successfully in all types of machinery and sectors of industry. Examples being:

- Woodworking
- Furniture Industry
- Profile Grinding
- Book Binding
- Conveying Plastic Tubes
- Glass Handling
- Cable Management
- Conveying of Fragile Components

The chain is based on ISO, DIN and ANSI standard, both Simplex and Duplex, the only difference being the overall pin length. Polymer block chain can be used in many different environments by simply changing the block material. The most popular chain in this catalogue being available from stock.

The polymer block vulcanised onto the U-plate is wear resistant and has a shore hardness of 50 to 60. It is suitable for working temperatures up to a maximum of 80°C (176°F).

- Polymer block chain is only supplied in even pitch lengths, including a connecting link
- Chain can be supplied without polymer blocks, with the standard U-plates fitted to the outer links
- For a small extra charge chain can be zinc plated, but this will reduce the minimum breaking load of the chain by 10%
- The gearing dimensions of polymer block chain allows them to run on standard sprockets

Other sizes of chain and block materials can be supplied, apart from the popular and made to order chain detailed in this catalogue. For special applications Renold multiplex chain, up to sextuplex, have been supplied and used successfully where a wider polymer block platform is required.

Popular range

Iso No.	ANSI No.	Pitch (inch)	Type
08B-1	-	0.50	Simplex
08B-2	-	0.50	Duplex
12B-1	-	0.75	Simplex
12B-2	-	0.75	Duplex
-	80	0.50	Simplex
-	80-2	1.00	Duplex
24B-1	-	1.50	Simplex

Made to order sizes

Iso No.	ANSI No.	Pitch (inch)	Type
04	-	6mm	Simplex
06B-1	-	0.375	Simplex
08B-3	-	0.500	Triplex
10B-2	-	0.625	Duplex
20B-1	-	1.250	Simplex

The block material specifications available are shown on page 56.

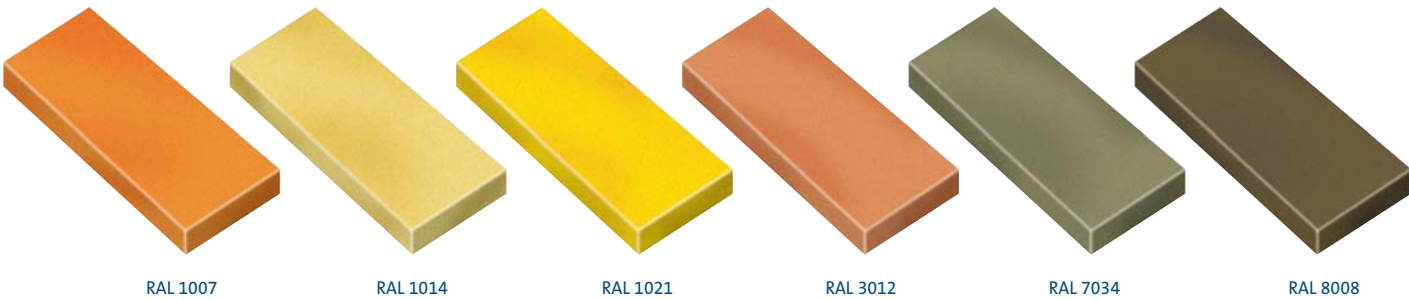
For assistance with selecting the correct chain size, block type or profile for your application, contact our Technical Sales Department.

Polymer Block

Material code and details

Code	Material Type	Shore Hardness	Wear Value DIN 53516 mm3	Colour
NR	Natural Rubber	65 +/- 5	160	RAL1014 Ivory
IR	Isoprene Rubber (Synth. polyisoprene)	-	-	-
SBR	Styrene-Butadiene Rubber	-	-	-
BR	Butadiene Rubber (Polybutadiene)	-	-	-
EPDM	Ethylene-Propylene-Diene Polymer	-	-	-
NBR	Acronitrille Butadiene Rubber	75 +/- 5	160	RAL7034 Yellow-Grey
CR	Chloroprene Rubber (Polychloroprene)	65 +/- 5	160	RAL1021 Cadmium-Yellow
AU	Polyester Urethane Rubber	-	-	-
SI	Silicone Resins	70 +/- 5	160*	RAL3012 Beige-Red
FSI	Fluoric Silicone Resins	-	-	-
FPM	Fluoropolymers	75 +/- 5	160*	RAL8008 Olive-Brown
PUR	Polyurethane	85 +/- 5	80	RAL1007 Chrome-Yellow Transparent
PTFE	Polytetrafluoroethylene	-	-	-

- Details available on request.
* Renold design.



A customer specific design, hardness and wear specification of block is possible, but may be subject to minimum order quantities.

Polymer Block material colour may vary from the represented colours shown above.

Material mechanical values/resistance

Type	Material													
	NR	IR	SBR	BR	IIR	EPDM	NBR	CR	AU	SI	FSI	FPM	PUR	PTFE
Tensile Strength	1	2	5	6	4	5	5	3	2	6	6	5	1	1
Elongation at Fracture	1	1	2	3	2	3	2	2	2	4	4	3	2	3
Rebond Resilience	2	2	3	1	6	3	3	3	3	3	3	5	2	NA
Wear Resistance	2	2	2	1	3	3	2	2	1	5	5	4	1	3
Tear Strength	2	3	3	5	4	4	4	3	4	6	6	3	1	2
Current Flow Resistance	1	1	2	2	2	2	4	3	3	1	1	4	2	1
Temperature Hot -Air Degrees C	+90	+90	+100	+100	+140	+150	+130	+120	+120	+200	+200	+220	+80	+260
Minimum Temperature Degrees C	-50	-40	-40	-60	-40	-40	-40	-30	-20	-80	-80	-25	-35	-190
Age Resistance	3	3	3	3	2	1	3	2	2	1	1	1	1	1
Ozone Resistance	4	4	4	3	2	1	3	2	2	1	1	1	1	1
Benzine Resistance	6	6	4	5	6	5	1	2	1	5	1	1	2	1
Oil and Grease Resistance	6	6	5	6	6	4	1	2	1	1	1	1	2	1
Acid Resistance	3	3	3	3	2	1	4	2	5	5	4	1	6	1
Alkali Resistance	3	3	3	3	2	2	3	2	5	5	4	1	6	1
Resistance to Hot Water	3	3	2	3	1	2	3	3	5	5	4	2	6	1

1 = Excellent 2 = Very Good 3 = Good 4 = Moderate 5 = Poor 6 = Insufficient

When choosing the material for your application, the table above can be used to select the material with the most appropriate properties.

For example, where an application has oil and grease present, NBR, AU, SI, FSI FPM and PTFE materials are suitable.

Contact our technical staff for more advice on the suitability of the materials shown.

Polymer Block Chain Types

Simplex roller chain

Type Number	Profile without Blocks	Chain No.		Chain Fitted with Material Type			
		NR	NBR	PUR	FPM	SI	
Based on 08B-1 0.500" Pitch	1850 0520	1208770 -	- MIN	- 1208781	- MIN	- ENQ	- MIN
1870	-	MIN	MIN	MIN	ENQ	ENQ	
2720	-	MIN	MIN	TR	ENQ	ENQ	
2750	-	MIN	1208782	MIN	ENQ	ENQ	
4740	-	MIN	1208783	TR	ENQ	ENQ	
5800	-	MIN	1208784	TR	ENQ	ENQ	
Based on 12B-1 0.750" Pitch	5130 4680	1208775 -	- MIN	- 1208788	- TR	- ENQ	- ENQ
5350	-	MIN	MIN	TR	ENQ	ENQ	
Based on ANSI 80 1.000" Pitch	0641 0570	1208779 -	- MIN	- 1208792	- TR	- ENQ	- ENQ
1120	-	MIN	MIN	TR	ENQ	ENQ	
1300	-	MIN	1208793	TR	ENQ	ENQ	
1310	-	TR	TR	MIN	TR	TR	
Based on 24B-1 1.500" Pitch	0839 0830	12058788 -	- MIN	- MIN	- TR	- ENQ	- ENQ

Duplex roller chain

Type Number	Profile without Blocks	Chain No.		Chain Fitted with Material Type			
		NR	NBR	PUR	FPM	SI	
Based on 08B-2 0.500" Pitch	0800 0530	1208771 -	- MIN	- 1208785	- MIN	- MIN	- MIN
0540	-	MIN	MIN	TR	ENQ	ENQ	
0560	-	MIN	MIN	TR	ENQ	ENQ	
0590	-	MIN	MIN	TR	ENQ	ENQ	
0610	-	MIN	MIN	TR	ENQ	ENQ	
0660	-	MIN	1208786	MIN	ENQ	ENQ	
0810	-	MIN	MIN	TR	ENQ	ENQ	
0820	-	MIN	MIN	TR	ENQ	ENQ	
0910	-	MIN	MIN	TR	ENQ	ENQ	
1360	-	MIN	MIN	TR	ENQ	ENQ	
1760	-	MIN	MIN	MIN	ENQ	ENQ	
2020	-	MIN	MIN	TR	ENQ	ENQ	
2520	-	MIN	1208787	TR	ENQ	ENQ	
Based on 12B-2 0.750" Pitch	0639 0630	1208776 -	- MIN	- 1208789	- TR	- ENQ	- ENQ
0760	-	MIN	1208790	MIN	ENQ	MIN	
1480	-	MIN	MIN	TR	ENQ	ENQ	
Based on ANSI 80-2 1.000" Pitch	0510 0570	1208780 -	- MIN	- TR	- TR	- TR	- TR
1120	-	TR	TR	TR	TR	TR	
1300	-	TR	TR	TR	TR	TR	
1310	-	TR	TR	TR	TR	TR	

MIN = Made to order only. Minimum order quantity of 100M.

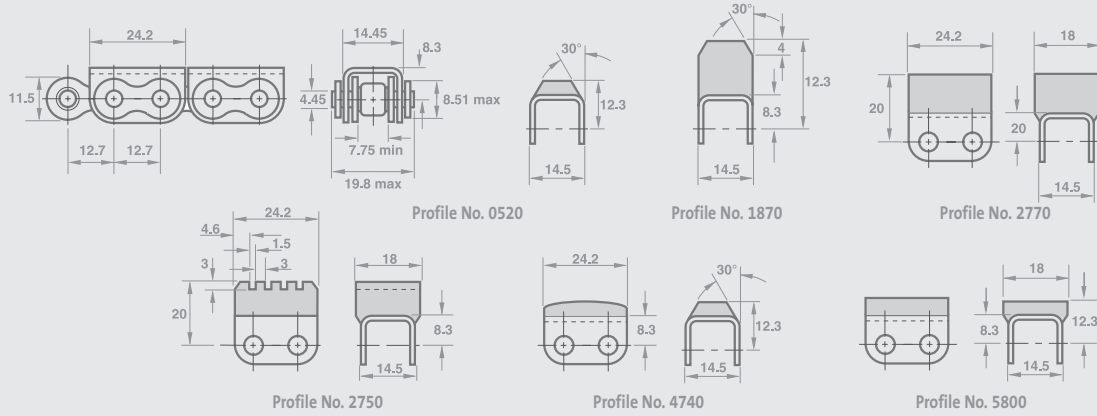
TR = A tooling charge would be applied. Minimum order quantity of 100M.

ENQ = Made to order only. Enquire for minimum order quantity

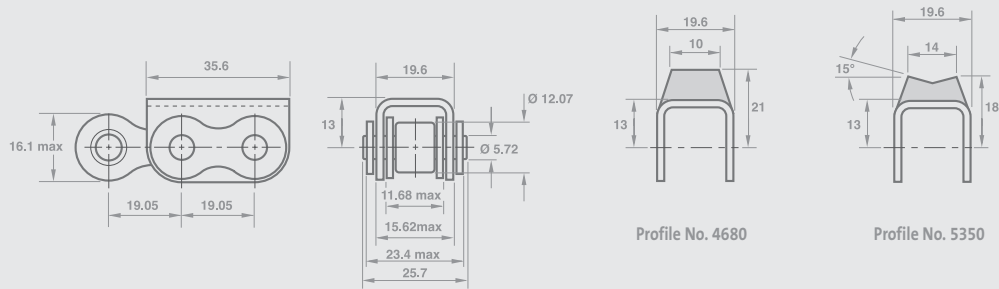
Profile Drawings and dimensions are shown on pages 58 and 59.

Polymer Block Chain

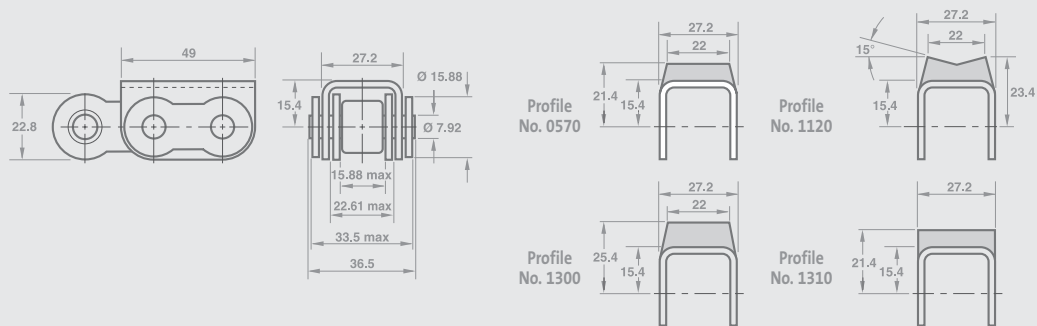
0.500" pitch simple chain profiles



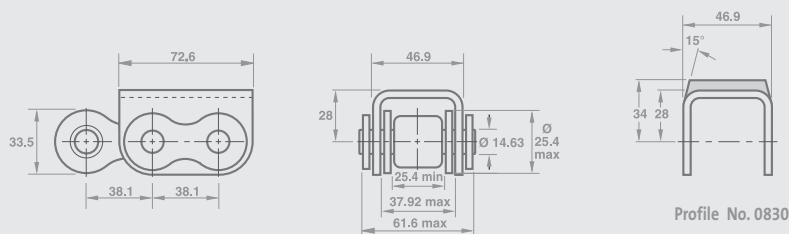
0.750" pitch simple chain profiles



1.000" pitch simple chain profiles

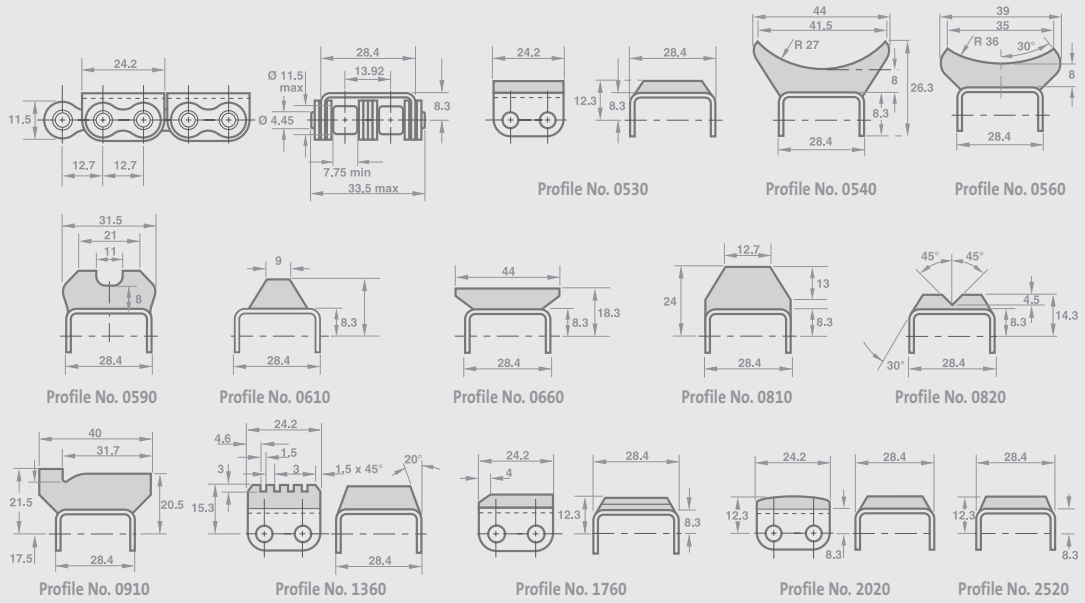


1.500" pitch simple chain profiles

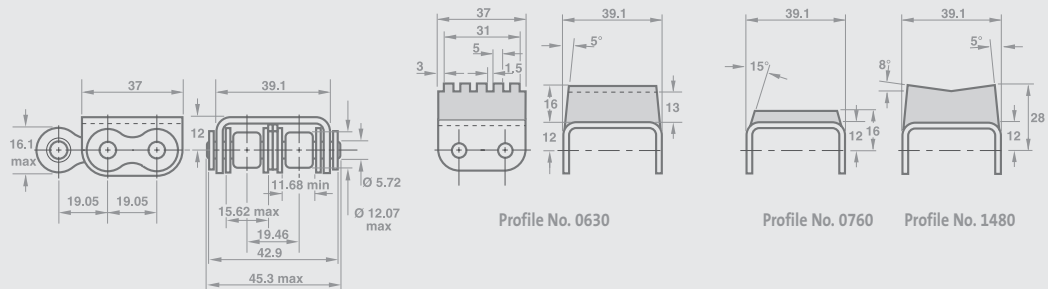


Polymer Block Chain

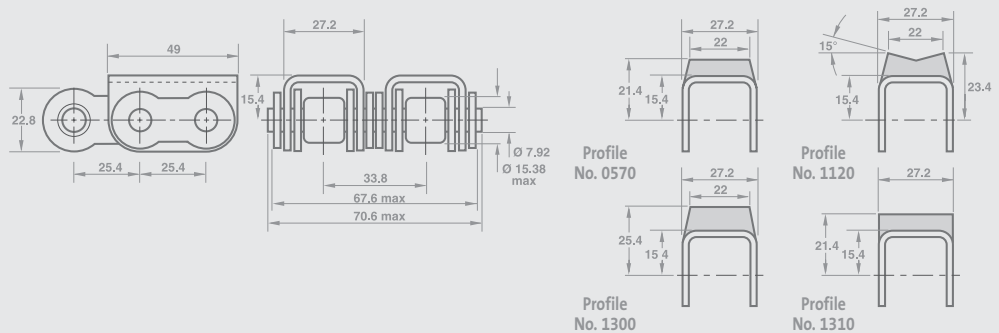
0.500" pitch duplex chain profiles



0.750" pitch duplex chain profiles



1.000" pitch duplex chain profiles



Renold Smartlink

Section 1

Take advantage of Renold's unique diagnostics technology to deliver maximum performance.

- Ensure the smooth running of your chain drive
- Understand loadings applied to the chain
- Diagnose problems with alignment
- Pin point potential causes of reduced chain life
- Increase your production efficiency

Is Smartlink™ suitable for my application?

Is your problem caused by load?
Then yes, Smartlink™ is for you!

Is your problem caused by wear?
Talk to Renold about our market-leading chain range



Smartlink: The world's smallest data logger, unique to Renold



Renold Smartlink

Level 1

Smartlink™ can help you in different ways. With a tiny microprocessor attached to the side plate, the unit can detect the stresses experienced by the chain as it travels through your machine.

Acting as an overload detector and controlled with a small infra-red remote control unit, the system can indicate when your chain exceeds a pre-determined load. This gives you the warning you need to inspect the system and ensure that it is safe to continue running the machine. Smartlink™ gives you the ability to reset the alarm condition using the remote control.

Level 2

To understand more about the working loads being applied to the chain drive there is a second level of diagnostics that Smartlink™ can provide using the same microprocessor unit on the chain but a higher level of sophistication in the remote handheld receiver. Using this receiver, more detailed information about the actual value of the load can be downloaded and transferred to a Windows-based PC. This data can be analysed to determine the exact location of the load peaks in the drive system.

Level 3

Renold also has a much more sophisticated microprocessor available but this unit needs expert support, normally requiring the service of a Renold engineer. This solution would be used in situations where there are unresolved issues or in safety critical applications where an exact prediction of fatigue life is important.

Renold can work in partnership with you to resolve these sorts of issues. Having already helped major companies around the world including manufacturers of earth moving equipment, agricultural machinery, materials handling at ports and leisure rides at theme parks, Renold Smartlink™ represents a ground-breaking opportunity to fully understand system loads which may be detrimental to the perfect performance of your product.

Chain size	1", 1.25", 1.5" ANSI & BS		From 1" to above
Sampling Rate	2Hz		4sec @ 4kHz
Recording Time	N/A	Days	1hour @ 1.3Hz
Resolution	40 points of a third of the breaking load		200 points of a third of the breaking load
Battery life	Approximately 1 year*		5-10 hours
IP Protection (ability to resist ingress of liquid/debris)	IP66		Depends on the installation
Type of information	Visual Alarm	Visual Alarm Time at Level Level Crossing	Waveform Data Time at Level Level Crossing Rainflow Counting
Temperature Range	0-60°C**		

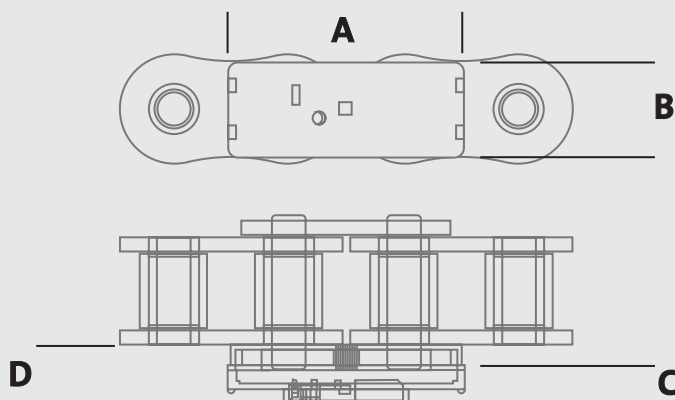
*Battery life depends on the time the unit remains switch on, amount of transmitted information and environment conditions.

**Please contact Renold if your application doesn't meet the temperature requirements.

By demonstrating actual system loads Smartlink™ technology will help you to optimise your products at an early stage. When your new product is being used for field trials, make sure Smartlink™ is present, detecting performance, giving you the full picture.

Smartlink™ is even small enough to fit on 1" pitch roller chain. Light conveying applications such as those at chocolate manufacturers in the UK have benefited from trials that have given a better understanding of loads in the whole system.

Improvements to drive layout and optimum chain selection have all been made possible by the step change in understanding which has resulted.



Dimensions for the different units.

	A	B	C	D
Smartlink 16B	52.00	20.42	13.00	17.73
Smartlink 80	52.00	20.42	13.00	17.73
Smartlink 20B	63.37	25.78	13.30	18.86
Smartlink 100	63.37	25.78	13.30	18.86
Smartlink 24B	78.79	30.89	13.30	19.88
Smartlink 120	78.79	30.89	13.30	19.88

Roll-Ring®

Self Adjusting Chain Tensioner

Roll-Ring® is a simple yet innovative chain tensioner made from a specially formulated polymer.

The unique design is based upon a simple toothed ring that can be fitted to horizontal, vertical or diagonal drives in a matter of seconds, simply by placing it in-between the two strands of chain. When the drive is in use, the Roll-Ring® deforms to an elliptical shape, due to compression between the strands and completely absorbs any slack in the system. Roll-Ring® performs the job of a tensioner and a damper in one, and is ideally suited to applications where maintenance is difficult or impossible.

Technical details

Roll-Ring® chain tensioners provide tensioning using:

- Static tensioning force from the elastic ring
- Dynamic tensioning force from the damping of the working material

Benefits

The Roll-Ring® chain tensioner provides cost effective, time saving installation and maintenance.

The advantages over other types of chain tensioners are:

- Free standing - no sprockets, bolts, plates, drilling or costly installation required
- The Roll-Ring® is easily installed where space limitations prohibit the use of conventional chain tensioners
- The Roll-Ring® is fitted in a matter of seconds
- It is ready for use without any tools, tensioning equipment or any further alignment or adjustment
- It is fully effective in vertical and diagonal drives
- The Roll-Ring® works automatically, is maintenance free and self lubricating

- It can be used in dusty and dirty environments
- The Roll-Ring® is a tensioner and damper in one, thus reducing noise levels
- Roll-Ring® also works in reverse mode

Roll-Ring® chain tensioners reduce chain wear and improve the quality and efficiency of the complete chain drive.

The innovative tensioner

The Roll-Ring® chain tensioner is an elementary mechanism based on new principles and represents a major advance in technology:

- Roll-Ring® requires minimal technical effort
- Its operation is astonishingly simple
- All functions are integrated into a single component
- Roll-Ring® utilises the hollow space of the associated chain drive system giving greater flexibility to designers and specifiers
- Automatic positioning and self lubricating

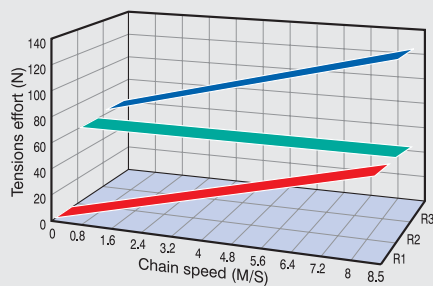
Bottom:
Snap-in
installation



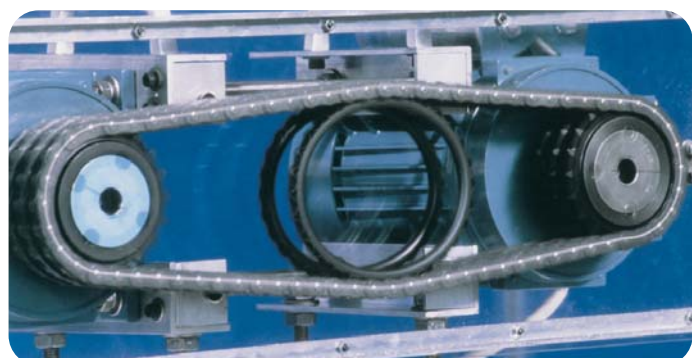
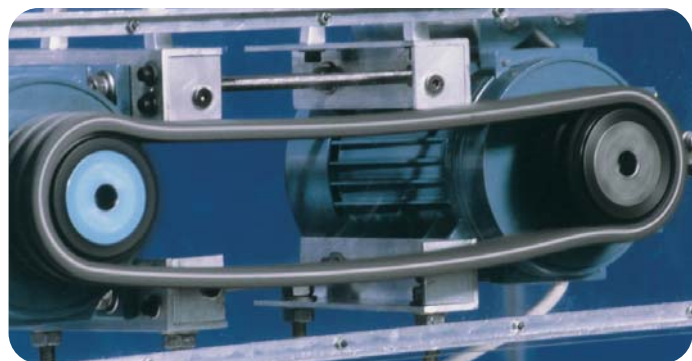
Top:
Vibrations in
an untensioned
chain drive



Bottom:
The Roll-Ring®
chain tensioner
tensions and dampens



Tensioning effort for ROLL-RING®: Dynamic force R1 ■ Static force R2 ■ Resultant force R3 ■



Roll-Ring®

Self Adjusting Chain Tensioner

Case study: chocolate production

A major chocolate manufacturer was experiencing serious problems with short chain life on a main production line and also had chain tensioning problems, due to the inaccessibility of the chain drives. Firstly, the short chain life (4-5 weeks) was overcome when the Renold Engineer recommended a change to nickel plated chains, which led to a new chain life of more than twelve months.

Secondly, regular downtime due to the failure of the previous chains was extended through the fitting of chain tensioners and their ongoing adjustments over time. With a time sensitive maintenance policy, the chocolate manufacturer looked for a solution to speed up the tensioning of the replacement chain and Roll-Ring® provided that simple solution.

The new Renold chain had to be adjusted to be near their ideal centres when fitted, and when the maximum compression was reached the Roll-Ring® was fitted by hand within seconds.

No further adjustments had to be carried out due to the flexibility of the Roll-Ring® design and all future chain extension is automatically taken up during the chain's life. With a large reduction in equipment downtime for tensioning adjustment, the chocolate manufacturer now enjoys significant time savings, cost savings and peace of mind.

- Saving of maintenance time for tension adjustments
- Simple installation
- Effective dampening
- Unique solution

The new principle

The principle of the Roll-Ring® chain tensioner is based on two simple phenomena:

- The elastic ring engages with the chain drive strands and rolls between them in a pre-stressed condition taking up the shape of an ellipse
- The constantly opposing movements of the load and slack strands cancel each other out, thereby holding the Roll-Ring® in position

Installation and maintenance

Roll-Ring® chain tensioners are maintenance free and can be fitted to a wide variety of chain drives with no installation down time.

The requirement is that:

- There is a working space with a gap between the chain strands which is smaller than the reference diameter of the chain tensioner
- There is a sufficient gap between the chain drive sprockets

We recommend that the chain tensioner is positioned between two chain strands such

that there is at least one chain pitch between the Roll-Ring® and the smallest sprocket. The Roll-Ring® can also be positioned just as effectively outside this recommended area, as long as it is sufficiently prestressed. In this case, practical trial and error are recommended.

Roll-Ring® chain tensioners can be used in line within the same chain strand, or parallel with each other in multi-strand chain drives.

Please note that triplex chain drives only require two Roll-Rings® positioned on the outer strands.



Roll-Ring® installation and final dimensions

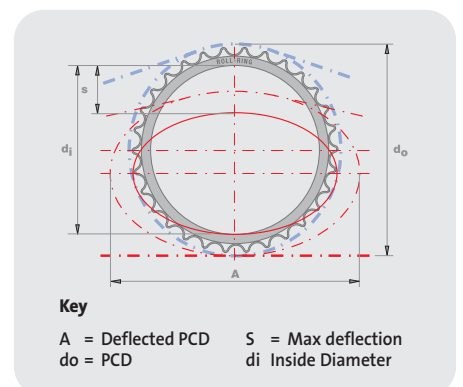
Part No.	do	di	s	A
10503001	76.5	65.0	20.0	104.0
10603001	91.1	73.0	25.0	122.0
10603601	109.0	89.5	25.0	143.0
10802601	102.1	84.5	24.0	135.8
10803001	121.5	98.0	28.0	161.6
10803401	137.5	115.4	30.0	165.0
11002601	128.4	105.0	28.0	153.0
11003001	148.0	124.6	33.0	177.0
11003401	170.0	141.0	38.0	217.0
11202601	155.0	127.6	35.0	209.5
11203001	182.2	145.0	40.0	241.7
11203401	207.5	169.5	45.0	265.0
11602601	207.0	167.0	45.0	269.0
11603001	245.8	202.0	50.0	306.0
12003001	303.7	244.0	60.0	390.0

Value A includes a safety distance to the sprockets

Roll-Ring® chain tensioners in one of our test rigs



Roll-Ring® chain tensioners are re-cyclable



Roll-Ring®

Chain Tensioners Standard Product Range

Part No. number	No. of teeth	ISO reference	Renold chain reference	Maximum static expansive force ** (Newtons)	Maximum chain speed (M/S)	Minimum ambient temperature ~ (°C)	Maximum ambient temperature ~ (°C)	Resistant to ultra violet light
10503001	30	05B	110500	2.900	5.000	-20	70	Normal
10603001	30	06B	110038	15.200	5.200	-20	70	Normal
10603601	36	06B	110038	28.500	5.200	-20	70	Normal
10802601	26	08B	110046	15.700	7.500	-20	70	Normal
10803001	30	08B	110046	22.000	8.600	-20	70	Normal
10803401	34	08B	110046	22.000	8.800	-20	70	Normal
10843001	30	081 \ 083 *	111044 \ 6	16.800	7.500	-20	70	Normal
11002601	26	10B	110056	28.200	4.200	-20	70	Normal
11003001	30	10B	110056	23.000	8.800	-20	70	Normal
11003401	34	10B	110056	45.100	8.800	-20	70	Normal
11202601	26	12B	110066	39.200	5.400	-20	70	Normal
11203001	30	12B	110066	65.000	6.200	-20	70	Normal
11203401	34	12B	110066	70.500	6.400	-20	70	Normal
11602601	26	16B	110088	95.700	5.700	-20	70	Normal
11603001	30	16B	110088	108.500	6.200	-20	70	Normal
12003001	30	20B	110106	194.000	7.000	-20	60	Normal
80603001	30	35	129033	5.700	5.200	-20	70	Normal
10802601	26	40	119043	15.200	7.500	-20	70	Normal
10803001	30	40	119043	22.000	8.600	-20	70	Normal
10843001	30	41	119040	16.800	7.500	-20	70	Normal
11002601	26	50	119053	28.200	4.200	-20	70	Normal
11003001	30	50	119053	23.000	8.800	-20	70	Normal
11003401	34	50	119053	45.100	8.800	-20	70	Normal
11202601	26	60	119063	39.200	5.400	-20	70	Normal
11203001	30	60	119063	65.000	6.200	-20	70	Normal
11602601	26	80	119083	95.700	5.700	-20	70	Normal
81603001	30	80	119083	103.000	6.600	-20	70	Normal
12003001	30	100	119103	194.000	7.000	-20	60	Normal
20802601	26	08B	110046	13.500	7.100	-20	70	High #
20803001	30	08B	110046	20.400	7.400	-20	70	High #
20843001	30	081 \ 083 *	111044 \ 6	15.400	6.800	-20	70	High #
21003001	30	10B	110056	20.000	7.800	-20	70	High #
21202601	26	12B	110066	37.000	5.000	-20	70	High #
21203001	30	12B	110066	52.000	5.600	-20	70	High #
21603001	30	16B	110088	100.600	5.800	-20	70	High #
22003001	30	20B	110106	165.800	6.300	-15	60	High #

Ultra Violet resistant Roll-Rings® for use in equipment where the Roll-Ring® is exposed to Ultra Violet Light ie. agricultural machinery, community service equipment, building machines etc.

~ For special operational temperatures lower or higher than those listed please consult Renold.

* To fit all roller chain widths from 1/8 to 5/16".

** At 20°C maximum adjustment, without dynamic expansive force proportional to chain speed.

NB Ultra Violet resistant Roll-Rings® have different mechanical properties to the standard Roll-Ring® which could result in a lower service life.

The above information is based on current knowledge and experience, we reserve the right to make modifications as part of our technical product improvement programme.

Registered trademark 641 683 from Ebert Kettenspannick GmbH.

The range of ROLL-RING® products continues to increase. Please consult Renold to discuss your particular requirements.

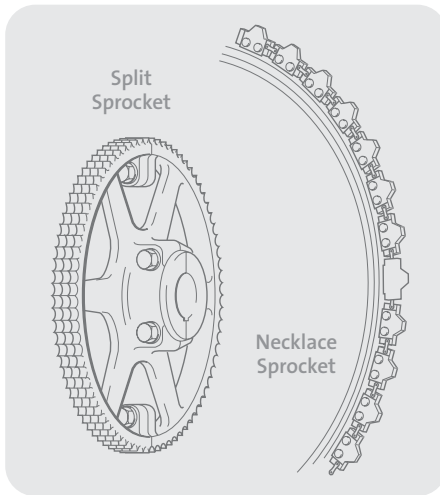
Industries

Typical applications:

- Agricultural machinery
- Baggage handling
- Cardboard manufacture
- Chocolate manufacture
- Ground compression machines
- Kiln conveyors
- Manufacture of drive systems
- Manufacture of pressing plants
- Paper cutting machines
- Printing machines
- Road building machines
- Robotics
- Roller drive systems
- Tile manufacture
- Transport systems
- Wood chip conveying

Transmission Sprocket Details

Sprockets for Roller Chain



Renold manufacture a comprehensive range of stock sprockets for British Standard chain up to two inch pitch.

Other sizes of sprocket, including those to American Standard dimensions, are available on request.

Special sprockets are also manufactured on request, in special materials or formats, normally to suit a specific application in harsh or difficult drive situations, examples being:

- Sprockets incorporating shafts
- Welded or detachable hubs
- Shear pin devices fitted
- Necklace sprockets made up of chain plates and individual tooth sections for turning large drums or tables
- Combination sprockets (two or more sprockets combined having different pitch sizes and numbers of teeth)
- Sprockets in two or more sections, i.e. split sprockets or segmental sprockets

Sprocket	Smooth Running	Moderate Shocks	Heavy Shocks
Up to 29T	EN8 or EN9	EN8 or EN9 Hardened & Tempered or Case Hardened Mild Steel	EN8 or EN9 Hardened & Tempered or Case Hardened Mild Steel
30T and Over	Cast Iron	Mild Steel or Meehanite	EN8 or EN9 Hardened & Tempered or Case Hardened Mild Steel

Selection of sprocket materials

Choice of material and heat treatment will depend upon shape, diameter and mass of the sprocket. The table above can be used as a simple guide on the correct selection of sprocket material.

Sprocket and chain compatibility

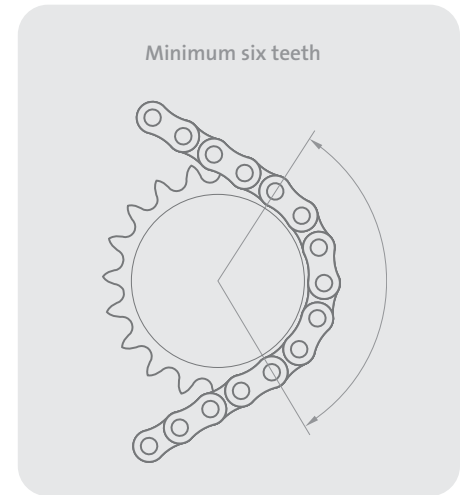
Most drives have an even number of pitches in the chain and by using a driver sprocket with an odd number of teeth, uniform wear distribution over both chain and sprocket teeth is ensured. Even numbers of teeth for both the driver and driven sprockets can be used, but wear distribution on both the sprocket teeth and chain is poor.

Number of teeth

The maximum number of teeth in any driven sprocket should not exceed 114. This limitation is due to the fact that for a given elongation of chain due to wear, the working pitch diameter of the chain on the sprocket increases in relation to the nominal pitch diameter, i.e. the chain assumes a higher position on the sprocket tooth. The allowable safe chain wear is considered to be in the order of 2% elongation over nominal length.

A simple formula for determining how much chain elongation a sprocket can accommodate is $\frac{200}{N}$

expressed as a percentage where N is the number of teeth on the largest sprocket in the drive system.



It is good practice to have the sum of teeth not less than 50 where both the driver and driven sprockets are operated by the same chain, e.g. on a 1:1 ratio drive, both sprockets should have 25 teeth each.

Centre distance

For optimum wear life, centre distance between two sprockets should normally be within the range 30 to 50 times the chain pitch. On drive proposals with centre distances below 30 pitches or greater than 2m, we would recommend that the drive details are discussed with our technical staff.

The minimum centre distance is sometimes governed by the amount of chain lap on the driver sprocket, our normal recommendation in this circumstance being not less than six teeth in engagement with the chain.

The centre distance is also governed by the desirability of using a chain with an even number of pitches to avoid the use of a cranked link, a practice that is not recommended except in special circumstances.

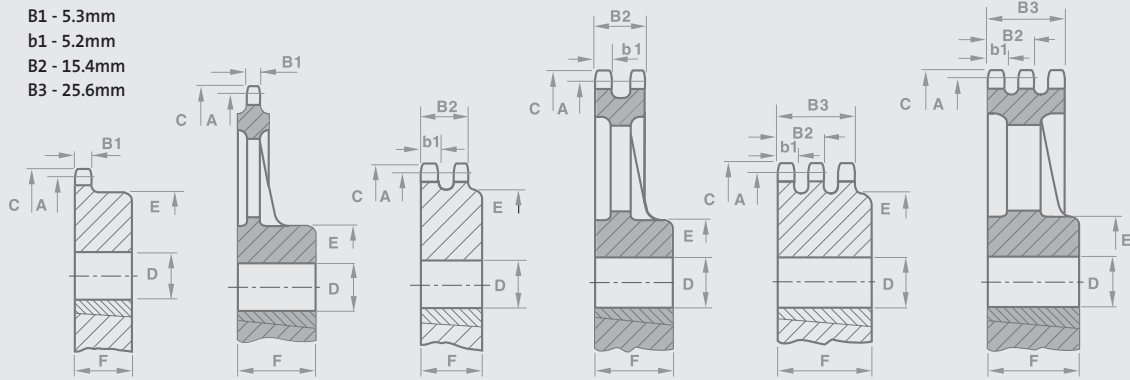
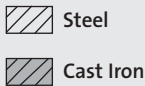
For a drive in the horizontal plane, the shortest centre distance possible should be used consistent with recommended chain lap (minimum six teeth) on the driver sprocket.

Transmission Sprockets

ISO 606 [9.525mm/0.375" Pitch]

Tooth Width SIMPLEX B1 - 5.3mm
 Tooth Width b1 - 5.2mm
 Tooth Width DUPLEX B2 - 15.4mm
 Tooth Width TRIPLEX B3 - 25.6mm

Key



Technical Details (mm)			Simplex					Duplex					Triplex				
No. of Teeth	PCD	Top Diam.	Part No.	Bore	Bore	Boss Diam.	Dist. Thro.	Part No.	Bore	Bore	Boss Diam.	Dist. Thro.	Part No.	Bore	Bore	Boss Diam.	Dist. Thro.
				MIN	MAX				MIN	MAX				MIN	MAX		

Plain Bore - steel

	A	C		D	D	E	F		D	D	E	F		D	D	E	F
11	33.80	37.5	06B1/11T	8.0	14.0	22.0	25.0	06B2/11T	10.0	14.0	22.0	30.0	06B3/11T	12.0	14.0	22.0	35.0
12	36.80	40.5	06B1/12T	8.0	16.0	25.0	25.0	06B2/12T	10.0	16.0	25.0	30.0	06B3/12T	12.0	16.0	25.0	35.0
13	39.80	43.5	06B1/13T	10.0	16.0	28.0	25.0	06B2/13T	10.0	16.0	28.0	30.0	06B3/13T	12.0	16.0	28.0	35.0
14	42.80	46.5	06B1/14T	10.0	20.0	31.0	25.0	06B2/14T	10.0	20.0	31.0	30.0	06B3/14T	12.0	22.0	31.0	35.0
15	45.81	49.5	06B1/15T	10.0	22.0	34.0	25.0	06B2/15T	10.0	22.0	34.0	30.0	06B3/15T	12.0	22.0	34.0	35.0
16	48.82	52.5	06B1/16T	10.0	22.0	37.0	28.0	-	-	-	-	-	-	-	-	-	-
17	51.83	55.5	06B1/17T	10.0	25.0	40.0	28.0	06B2/17T	12.0	25.0	40.0	30.0	06B3/17T	12.0	25.0	40.0	35.0
18	54.85	58.6	06B1/18T	10.0	25.0	43.0	28.0	-	-	-	-	-	-	-	-	-	-
19	57.87	61.6	06B1/19T	10.0	28.0	45.0	28.0	06B2/19T	12.0	28.0	46.0	30.0	06B3/19T	12.0	28.0	46.0	35.0
20	60.89	64.6	06B1/20T	10.0	30.0	46.0	28.0	06B2/20T	12.0	30.0	49.0	30.0	06B3/20T	12.0	30.0	49.0	35.0
21	63.91	67.6	06B1/21T	12.0	32.0	48.0	28.0	06B2/21T	16.0	35.0	52.0	30.0	06B3/21T	16.0	35.0	52.0	40.0
22	66.93	70.6	06B1/22T	12.0	32.0	50.0	28.0	-	-	-	-	-	-	-	-	-	-
23	69.95	73.7	06B1/23T	12.0	38.0	52.0	28.0	06B2/23T	16.0	42.0	58.0	30.0	06B3/23T	16.0	42.0	58.0	40.0
24	72.97	76.7	06B1/24T	12.0	38.0	54.0	28.0	-	-	-	-	-	-	-	-	-	-
25	76.00	79.7	06B1/25T	12.0	38.0	57.0	28.0	06B2/25T	16.0	42.0	64.0	30.0	06B3/25T	16.0	42.0	64.0	40.0
26	79.02	82.7	06B1/26T	12.0	38.0	60.0	28.0	-	-	-	-	-	-	-	-	-	-
27	82.04	85.7	06B1/27T	12.0	38.0	60.0	28.0	06B2/27T	16.0	42.0	70.0	30.0	06B3/27T	16.0	42.0	70.0	40.0
30	91.12	94.8	06B1/30T	12.0	35.0	60.0	28.0	06B2/30T	16.0	40.0	79.0	30.0	06B3/30T	16.0	45.0	79.0	40.0
38	115.34	119.0	06B1/38T	16.0	42.0	70.0	30.0	06B2/38T	16.0	50.0	90.0	30.0	06B3/38T	16.0	55.0	90.0	40.0

Plain bore - heavy duty cast iron

	A	C		D	D	E	F		D	D	E	F		D	D	E	F
57	172.94	177.5	06B1/57T	19.0	45.0	80.0	25.0	06B2/57T	24.0	50.0	90.0	25.0	06B3/57T	28.0	55.0	95.0	38.0
76	230.49	235.1	06B1/76T	19.0	45.0	80.0	25.0	06B2/76T	24.0	50.0	90.0	25.0	06B3/76T	28.0	65.0	110.0	45.0
95	288.08	292.7	06B1/95T	24.0	50.0	90.0	25.0	06B2/95T	28.0	55.0	95.0	38.0	06B3/95T	28.0	65.0	110.0	45.0
114	345.68	350.3	06B1/114T	24.0	50.0	90.0	38.0	06B2/114T	28.0	55.0	95.0	38.0	06B3/114T	28.0	65.0	110.0	52.0
150	454.81	461.2	06B1/150T	24.0	50.0	90.0	45.0	06B2/150T	35.0	65.0	110.0	52.0	-	-	-	-	-

Technical Details (mm)			Simplex				Duplex				Triplex			
No. of Teeth	PCD	Top Diam.	Part No.	Taper Bush	Boss Diam.	Dist. Thro.	Part No.	Taper Bush	Boss Diam.	Dist. Thro.	Part No.	Taper Bush	Boss Diam.	Dist. Thro.
					MIN	MAX			MIN	MAX			MIN	MAX

Taper bore - steel

	A	C			E	F			E	F			E	F
17	51.83	55.5	T06B1/17T	TB1008	45.0	22.0	T06B2/17T	TB1008	41.0	22.0	T06B3/17T	TB1008	-	25.6
19	57.87	61.6	T06B1/19T	TB1008	45.0	22.0	T06B2/19T	TB1008	46.0	22.0	T06B3/19T	TB1008	-	25.6
21	63.91	67.6	T06B1/21T	TB1008	46.0	22.0	T06B2/21T	TB1008	49.0	22.0	T06B3/21T	TB1008	-	25.6
23	69.95	73.7	T06B1/23T	TB1210	63.0	25.0	T06B2/23T	TB1210	59.0	25.0	T06B3/23T	TB1210	-	25.6
25	76.00	79.7	T06B1/25T	TB1210	63.0	25.0	T06B2/25T	TB1210	64.0	25.0	T06B3/25T	TB1210	-	25.6
38	115.34	119.0	T06B1/38T	TB1210	70.0	25.0	T06B2/38T	TB1610	80.0	25.0	T06B3/38T	TB1615	90.0	38.0

Taper bore - heavy duty cast iron

	A	C			E	F			E	F			E	F
57	172.94	177.5	T06B1/57T	TB1210	80.0	25.0	T06B2/57T	TB1610	90.0	25.0	T06B3/57T	TB1615	95.0	38.0
76	230.49	235.1	T06B1/76T	TB1210	80.0	25.0	T06B2/76T	TB1610	90.0	25.0	T06B3/76T	TB2017	110.0	45.0
95	288.08	292.7	T06B1/95T	TB1210	90.0	25.0	T06B2/95T	TB1615	95.0	38.0	-	-	-	-
114	345.68	350.3	T06B1/114T	TB1615	90.0	38.0	T06B2/114T	TB1615	95.0	38.0	-	-	-	-



Rebore, keyway and setscrew modification service available - see page 73

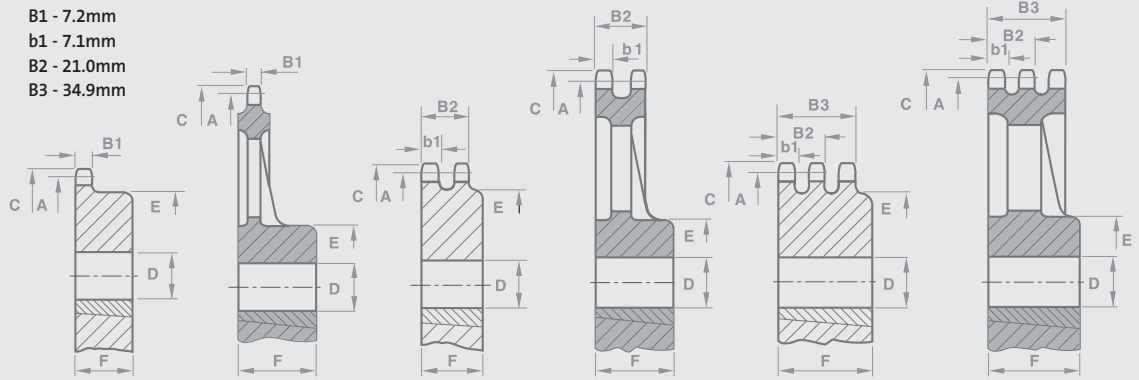
Transmission Sprockets

ISO 606 [12.7mm/0.500" Pitch]

Tooth Width SIMPLEX B1 - 7.2mm
 Tooth Width b1 - 7.1mm
 Tooth Width DUPLEX B2 - 21.0mm
 Tooth Width TRIPLEX B3 - 34.9mm

Key

-  Steel
-  Cast Iron



Technical Details (mm)			Simplex				Duplex				Triplex						
No. of Teeth	PCD	Top Diam.	Part No.	Bore	Bore	Boss Diam.	Dist. Thro.	Part No.	Bore	Bore	Boss Diam.	Dist. Thro.	Part No.	Bore	Bore	Boss Diam.	Dist. Thro.
				MIN	MAX				MIN	MAX				MIN	MAX		

Plain Bore - steel

	A	C		D	D	E	F		D	D	E	F		D	D	E	F
11	45.07	49.9	08B1/11T	10.0	19.0	29.0	25.0	08B2/11T	12.0	20.0	32.0	35.0	08B3/11T	16.0	20.0	32.0	50.0
12	49.07	53.9	08B1/12T	10.0	22.0	33.0	28.0	08B2/12T	12.0	22.0	35.0	35.0	08B3/12T	16.0	22.0	35.0	50.0
13	53.07	57.9	08B1/13T	10.0	25.0	37.0	28.0	08B2/13T	12.0	25.0	38.0	35.0	08B3/13T	16.0	25.0	38.0	50.0
14	57.07	61.9	08B1/14T	10.0	25.0	41.0	28.0	08B2/14T	12.0	28.0	42.0	35.0	08B3/14T	16.0	28.0	42.0	50.0
15	61.09	65.9	08B1/15T	10.0	32.0	45.0	28.0	08B2/15T	12.0	32.0	46.0	35.0	08B3/15T	16.0	32.0	46.0	50.0
16	65.10	69.9	08B1/16T	12.0	33.0	50.0	28.0	-	-	-	-	-	-	-	-	-	-
17	69.11	74.0	08B1/17T	12.0	35.0	52.0	28.0	08B2/17T	16.0	38.0	54.0	38.0	08B3/17T	16.0	38.0	54.0	50.0
18	73.14	78.0	08B1/18T	12.0	35.0	56.0	28.0	-	-	-	-	-	-	-	-	-	-
19	77.16	82.0	08B1/19T	12.0	40.0	60.0	28.0	08B2/19T	16.0	42.0	62.0	38.0	08B3/19T	16.0	42.0	62.0	50.0
20	81.18	86.0	08B1/20T	12.0	42.0	64.0	28.0	08B2/20T	16.0	42.0	66.0	38.0	08B3/20T	16.0	42.0	66.0	50.0
21	85.22	90.1	08B1/21T	14.0	45.0	68.0	28.0	08B2/21T	16.0	45.0	70.0	40.0	08B3/21T	16.0	45.0	70.0	55.0
22	89.24	94.1	08B1/22T	14.0	45.0	70.0	28.0	-	-	-	-	-	-	-	-	-	-
23	93.27	98.1	08B1/23T	14.0	45.0	70.0	28.0	08B2/23T	16.0	45.0	70.0	40.0	08B3/23T	16.0	45.0	70.0	55.0
24	97.29	102.1	08B1/24T	14.0	45.0	70.0	28.0	-	-	-	-	-	-	-	-	-	-
25	101.33	106.2	08B1/25T	14.0	45.0	70.0	28.0	08B2/25T	16.0	48.0	80.0	40.0	08B3/25T	16.0	48.0	80.0	55.0
26	105.36	110.2	08B1/26T	16.0	45.0	70.0	30.0	-	-	-	-	-	-	-	-	-	-
27	109.40	114.2	08B1/27T	16.0	45.0	70.0	30.0	08B2/27T	16.0	58.0	85.0	40.0	08B3/27T	20.0	58.0	85.0	55.0
30	121.50	126.3	08B1/30T	16.0	48.0	80.0	30.0	08B2/30T	16.0	60.0	100.0	40.0	08B3/30T	20.0	60.0	100.0	55.0
38	153.80	158.6	08B1/38T	16.0	60.0	90.0	35.0	08B2/38T	20.0	60.0	100.0	40.0	08B3/38T	25.0	72.0	120.0	55.0

Plain bore - heavy duty cast iron

	A	C		D	D	E	F		D	D	E	F		D	D	E	F
57	230.54	237.1	08B1/57T	19.0	60.0	110.0	32.0	08B2/57T	28.0	65.0	110.0	32.0	08B3/57T	28.0	65.0	110.0	45.0
76	307.33	313.9	08B1/76T	19.0	60.0	110.0	32.0	08B2/76T	38.0	65.0	110.0	45.0	08B3/76T	38.0	75.0	130.0	64.0
95	384.11	390.7	08B1/95T	24.0	50.0	90.0	45.0	08B2/95T	38.0	65.0	110.0	52.0	08B3/95T	38.0	75.0	130.0	64.0
114	460.90	467.4	08B1/114T	34.0	50.0	90.0	45.0	08B2/114T	38.0	65.0	110.0	58.0	08B3/114T	38.0	75.0	130.0	72.0

Technical Details (mm)			Simplex				Duplex				Triplex			
No. of Teeth	PCD	Top Diam.	Part No.	Taper Bush	Boss Diam.	Dist. Thro.	Part No.	Taper Bush	Boss Diam.	Dist. Thro.	Part No.	Taper Bush	Boss Diam.	Dist. Thro.
					MIN	MAX			MIN	MAX			MIN	MAX

Taper bore - steel

	A	C		E	F		E	F		E	F			
15	61.08	65.9	T08B1/15T	TB1008	45.0	22.0	T08B2/15T	TB1008	48.0	22.0	-	-		
17	69.12	74.0	T08B1/17T	TB1210	60.0	25.0	T08B2/17T	TB1210	56.0	25.0	-	-		
19	77.16	82.0	T08B1/19T	TB1210	63.0	25.0	T08B2/19T	TB1210	64.0	25.0	T08B3/19T	TB1215	62.0	38.0
21	85.21	90.1	T08B1/21T	TB1610	71.0	25.0	T08B2/21T	TB1610	71.0	25.0	T08B3/21T	TB1615	70.0	38.0
23	93.27	98.1	T08B1/23T	TB1610	76.0	25.0	T08B2/23T	TB1610	79.0	25.0	T08B3/23T	TB1615	70.0	38.0
25	101.33	106.2	T08B1/25T	TB1610	76.0	25.0	T08B2/25T	TB2012	87.0	32.0	T08B3/25T	TB2017	-	34.9

Taper bore - heavy duty cast iron

	A	C		E	F		E	F		E	F			
38	153.79	158.6	T08B1/38T	TB2012	90.0	32.0	T08B2/38T	TB2012	100.0	32.0	T08B3/38T	TB2017	-	34.9
57	230.54	237.1	T08B1/57T	TB2012	110.0	32.0	T08B2/57T	TB2012	110.0	32.0	T08B3/57T	TB2017	110.0	45.0
76	307.33	313.9	T08B1/76T	TB2012	110.0	32.0	T08B2/76T	TB2012	110.0	32.0	T08B3/76T	TB2525	130.0	64.0
95	384.11	390.7	T08B1/95T	TB2012	110.0	32.0	T08B2/95T	TB2012	110.0	32.0	-	-	-	-
114	460.90	467.4	T08B1/114T	TB2017	110.0	32.0	T08B2/114T	TB2517	125.0	45.0	-	-	-	-

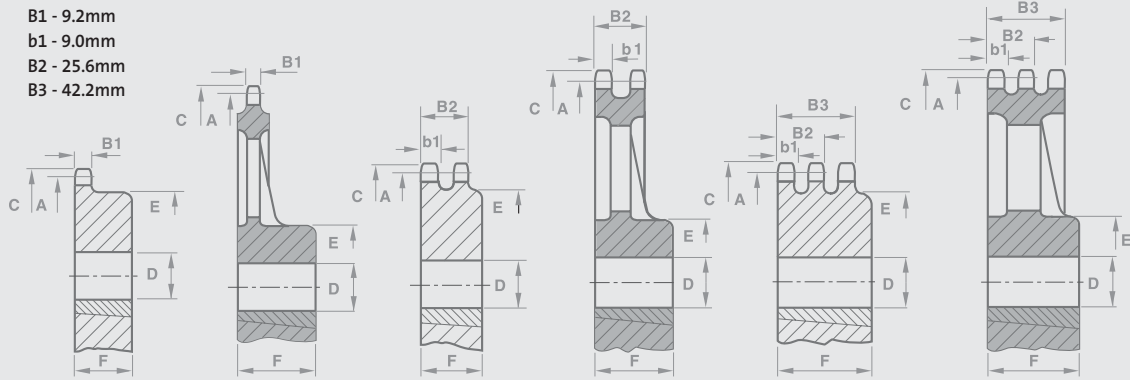
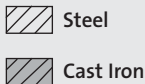
Rebore, keyway and setscrew modification service available - see page 73

Transmission Sprockets

ISO 606 [15.875mm/0.625" Pitch]

Tooth Width SIMPLEX B1 - 9.2mm
 Tooth Width b1 - 9.0mm
 Tooth Width DUPLEX B2 - 25.6mm
 Tooth Width TRIPLEX B3 - 42.2mm

Key



Technical Details (mm)			Simplex					Duplex					Triplex				
No. of Teeth	PCD	Top Diam.	Part No.	Bore	Bore	Boss Diam.	Dist. Thro.	Part No.	Bore	Bore	Boss Diam.	Dist. Thro.	Part No.	Bore	Bore	Boss Diam.	Dist. Thro.
				MIN	MAX				MIN	MAX				MIN	MAX		

Plain Bore - steel

	A	C		D	D	E	F		D	D	E	F		D	D	E	F
11	56.34	63.2	10B1/11T	12.0	25.0	37.0	30.0	10B2/11T	16.0	25.0	39.0	40.0	-	-	-	-	-
12	61.34	68.2	10B1/12T	12.0	28.0	42.0	30.0	10B2/12T	16.0	28.0	44.0	40.0	-	-	-	-	-
13	66.32	73.2	10B1/13T	12.0	30.0	47.0	30.0	10B2/13T	16.0	30.0	49.0	40.0	-	-	-	-	-
14	71.34	78.2	10B1/14T	12.0	32.0	52.0	30.0	10B2/14T	16.0	30.0	54.0	40.0	-	-	-	-	-
15	76.36	83.2	10B1/15T	12.0	32.0	57.0	30.0	10B2/15T	16.0	36.0	59.0	40.0	-	-	-	-	-
16	81.37	88.3	10B1/16T	12.0	36.0	60.0	30.0	-	-	-	-	-	-	-	-	-	-
17	86.39	93.3	10B1/17T	12.0	36.0	60.0	30.0	10B2/17T	16.0	42.0	69.0	45.0	-	-	-	-	-
18	91.42	98.3	10B1/18T	14.0	42.0	70.0	30.0	-	-	-	-	-	-	-	-	-	-
19	96.45	103.3	10B1/19T	14.0	42.0	70.0	30.0	10B2/19T	16.0	48.0	79.0	45.0	-	-	-	-	-
20	101.49	108.4	10B1/20T	14.0	45.0	75.0	30.0	10B2/20T	16.0	50.0	84.0	45.0	-	-	-	-	-
21	106.52	113.4	10B1/21T	16.0	45.0	75.0	30.0	10B2/21T	16.0	50.0	85.0	45.0	-	-	-	-	-
22	111.55	118.4	10B1/22T	16.0	48.0	80.0	30.0	-	-	-	-	-	-	-	-	-	-
23	116.58	123.5	10B1/23T	16.0	48.0	80.0	30.0	10B2/23T	16.0	60.0	95.0	45.0	-	-	-	-	-
24	121.62	128.5	10B1/24T	16.0	48.0	80.0	30.0	-	-	-	-	-	-	-	-	-	-
25	126.66	133.6	10B1/25T	16.0	48.0	80.0	30.0	10B2/25T	16.0	65.0	105.0	45.0	-	-	-	-	-
26	131.70	138.6	10B1/26T	20.0	50.0	85.0	35.0	-	-	-	-	-	-	-	-	-	-
27	136.75	143.6	10B1/27T	20.0	50.0	85.0	35.0	-	-	-	-	-	-	-	-	-	-
30	151.87	158.8	10B1/30T	20.0	55.0	90.0	35.0	10B2/30T	20.0	72.0	120.0	45.0	-	-	-	-	-
38	192.24	199.1	10B1/38T	20.0	60.0	100.0	35.0	-	-	-	-	-	-	-	-	-	-

Plain bore - heavy duty cast iron

	A	C		D	D	E	F		D	D	E	F		D	D	E	F
57	288.18	296.6	10B1/57T	24.0	50.0	90.0	45.0	-	-	-	-	-	-	-	-	-	-
76	384.15	392.5	10B1/76T	28.0	50.0	90.0	52.0	-	-	-	-	-	-	-	-	-	-
95	480.14	488.5	10B1/95T	28.0	50.0	90.0	58.0	-	-	-	-	-	-	-	-	-	-
114	576.13	584.5	10B1/114T	38.0	75.0	130.0	58.0	-	-	-	-	-	-	-	-	-	-

Technical Details (mm)			Simplex				Duplex				Triplex			
No. of Teeth	PCD	Top Diam.	Part No.	Taper Bush	Boss Diam.	Dist. Thro.	Part No.	Taper Bush	Boss Diam.	Dist. Thro.	Part No.	Taper Bush	Boss Diam.	Dist. Thro.
					MIN	MAX			MIN	MAX			MIN	MAX

Taper bore - steel

	A	C		E	F		E	F		E	F
15	76.36	83.2	T10B1/15T	TB1210	60.0	25.0	-	-	-	-	-
17	86.40	93.3	T10B1/17T	TB1610	71.0	25.0	-	-	-	-	-
19	96.45	103.3	T10B1/19T	TB1610	75.0	25.0	-	-	-	-	-
21	106.51	113.4	T10B1/21T	TB1610	76.0	25.0	-	-	-	-	-
23	116.59	123.5	T10B1/23T	TB1610	76.0	25.0	-	-	-	-	-
25	126.66	133.6	T10B1/25T	TB2012	90.0	32.0	-	-	-	-	-

Taper bore - heavy duty cast iron

	A	C		E	F		E	F		E	F
38	151.87	158.8	T10B1/38T	TB2012	90.0	32.0	-	-	-	-	-
57	288.18	296.6	T10B1/57T	TB2012	110.0	32.0	-	-	-	-	-
76	384.15	392.5	T10B1/76T	TB2012	115.0	32.0	-	-	-	-	-
95	480.14	488.5	T10B1/95T	TB2012	115.0	45.0	-	-	-	-	-

Rebore, keyway and setscrew modification service available - see page 73

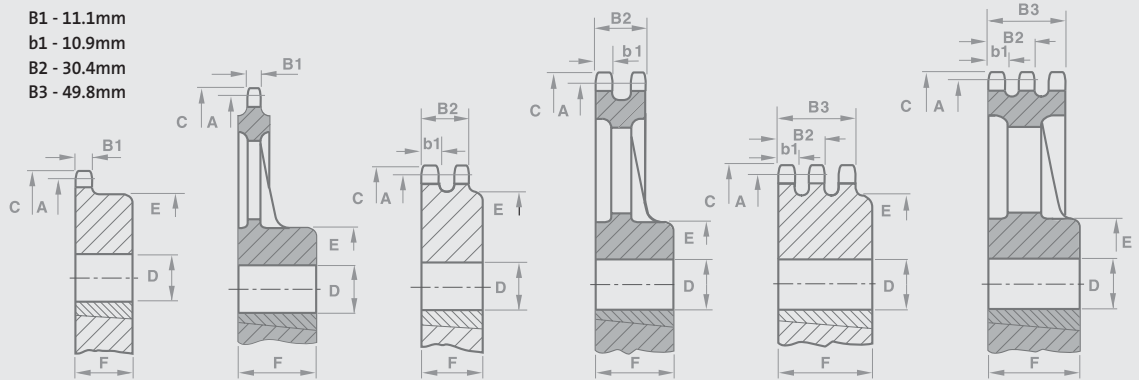
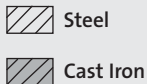
Transmission Sprockets

ISO 606 [19.05mm/0.750" Pitch]

Tooth Width SIMPLEX B1 - 11.1mm
 Tooth Width b1 - 10.9mm
 Tooth Width DUPLEX B2 - 30.4mm
 Tooth Width TRIPLEX B3 - 49.8mm

* Welded Hub

Key



Technical Details (mm)			Simplex					Duplex					Triplex				
No. of Teeth	PCD	Top Diam.	Part No.	Bore	Bore	Boss Diam.	Dist. Thro.	Part No.	Bore	Bore	Boss Diam.	Dist. Thro.	Part No.	Bore	Bore	Boss Diam.	Dist. Thro.
				MIN	MAX				MIN	MAX				MIN	MAX		

Plain Bore - steel

	A	C		D	D	E	F		D	D	E	F		D	D	E	F
11	67.62	75.8	12B1/11T	16.0	30.0	46.0	35.0	12B2/11T	16.0	30.0	47.0	50.0	12B3/11T	20.0	30.0	47.0	70.0
12	73.60	81.8	12B1/12T	16.0	32.0	52.0	35.0	12B2/12T	16.0	32.0	53.0	50.0	12B3/12T	20.0	32.0	53.0	70.0
13	79.59	87.8	12B1/13T	16.0	38.0	58.0	35.0	12B2/13T	16.0	38.0	59.0	50.0	12B3/13T	20.0	38.0	59.0	70.0
14	85.61	93.8	12B1/14T	16.0	42.0	64.0	35.0	12B2/14T	20.0	42.0	65.0	50.0	12B3/14T	20.0	42.0	65.0	70.0
15	91.63	99.8	12B1/15T	16.0	48.0	70.0	35.0	12B2/15T	20.0	48.0	71.0	50.0	12B3/15T	20.0	48.0	71.0	70.0
16	97.65	105.8	12B1/16T	16.0	50.0	75.0	35.0	-	-	-	-	-	-	-	-	-	-
17	103.67	111.9	12B1/17T	16.0	53.0	80.0	35.0	12B2/17T	20.0	50.0	83.0	50.0	12B3/17T	20.0	50.0	83.0	70.0
18	109.71	117.9	12B1/18T	16.0	53.0	80.0	35.0	-	-	-	-	-	-	-	-	-	-
19	115.74	123.9	12B1/19T	16.0	53.0	80.0	35.0	12B2/19T	20.0	55.0	95.0	50.0	12B3/19T	20.0	55.0	95.0	70.0
20	121.78	130.0	12B1/20T	16.0	53.0	80.0	35.0	12B2/20T	20.0	60.0	100.0	50.0	12B3/20T	20.0	60.0	100.0	70.0
21	127.82	136.1	12B1/21T	20.0	55.0	90.0	40.0	12B2/21T	20.0	60.0	100.0	50.0	12B3/21T	25.0	60.0	100.0	70.0
22	133.86	142.1	12B1/22T	20.0	55.0	90.0	40.0	-	-	-	-	-	-	-	-	-	-
23	139.90	148.1	12B1/23T	20.0	55.0	90.0	40.0	12B2/23T	20.0	66.0	110.0	50.0	12B3/23T	25.0	66.0	110.0	70.0
24	145.94	154.1	12B1/24T	20.0	55.0	90.0	40.0	-	-	-	-	-	-	-	-	-	-
25	152.00	160.2	12B1/25T	20.0	55.0	90.0	40.0	12B2/25T	20.0	72.0	120.0	50.0	12B3/25T	25.0	72.0	120.0	70.0
26	158.04	166.2	12B1/26T	20.0	55.0	95.0	40.0	-	-	-	-	-	-	-	-	-	-
27	164.09	172.3	12B1/27T	20.0	55.0	95.0	40.0	12B2/27T	20.0	72.0	120.0	50.0	12B3/27T	25.0	72.0	120.0	70.0
30	182.25	190.4	12B1/30T	20.0	55.0	95.0	40.0	12B2/30T	20.0	72.0	120.0	50.0	12B3/30T	25.0	72.0	120.0	70.0
38	230.69	238.9	12B1/38T	25.0	60.0	100.0	40.0	12B2/38T*	25.0	72.0	120.0	50.0	12B3/38T*	25.0	78.0	130.0	70.0

Plain bore - heavy duty cast iron

	A	C		D	D	E	F		D	D	E	F		D	D	E	F
57	345.81	355.9	12B1/57T	28.0	55.0	110.0	52.0	12B2/57T	38.0	65.0	115.0	64.0	12B3/57T	48.0	90.0	160.0	76.0
76	460.98	471.1	12B1/76T	35.0	55.0	110.0	58.0	12B2/76T	48.0	90.0	155.0	76.0	12B3/76T	55.0	90.0	165.0	76.0
95	576.17	586.2	12B1/95T	38.0	65.0	110.0	64.0	12B2/95T	55.0	90.0	155.0	76.0	12B3/95T	38.0	100.0	172.0	76.0

Technical Details (mm)			Simplex				Duplex				Triplex			
No. of Teeth	PCD	Top Diam.	Part No.	Taper Bush	Boss Diam.	Dist. Thro.	Part No.	Taper Bush	Boss Diam.	Dist. Thro.	Part No.	Taper Bush	Boss Diam.	Dist. Thro.
					MIN	MAX			MIN	MAX			MIN	MAX

Taper bore - steel

	A	C		E	F		E	F		E	F			
15	91.63	99.8	12B1/15T	TB1610	71.0	25.0	12B2/15T	TB1615	72.0	38.0	12B3/15T	TB1615	-	49.8
17	103.67	111.9	12B1/17T	TB1610	76.0	25.0	12B2/17T	TB1615	80.0	38.0	12B3/17T	TB2012	-	49.8
19	115.74	123.9	12B1/19T	TB2012	90.0	32.0	12B2/19T	TB2012	90.0	32.0	12B3/19T	TB2012	-	49.8
21	127.82	136.0	12B1/21T	TB2517	102.0	44.0	12B2/21T	TB2517	107.0	44.0	12B3/21T	TB2517	-	49.8
23	139.90	148.1	12B1/23T	TB2517	108.0	44.0	12B2/23T	TB2517	108.0	44.0	12B3/23T	TB2517	-	49.8
25	152.00	160.2	12B1/25T	TB2517	108.0	44.0	12B2/25T	TB2517	108.0	44.0	12B3/25T	TB2517	-	49.8

Taper bore - heavy duty cast iron

	A	C		E	F		E	F		E	F			
38	230.69	238.9	T12B1/38T	TB2517	108.0	44.0	T12B2/38T	TB3020	140.0	51.0	T12B3/38T	TB3020	140.0	51.0
76	460.98	471.1	T12B1/76T	TB2517	125.0	45.0	T12B2/76T	TB3020	155.0	51.0	T12B3/76T	TB3020	160.0	51.0
95	576.17	586.2	T12B1/95T	TB2517	130.0	45.0	T12B2/95T	TB3020	155.0	51.0	T12B3/95T	TB3030	172.0	76.0

Rebore, keyway and setscrew modification service available - see page 73

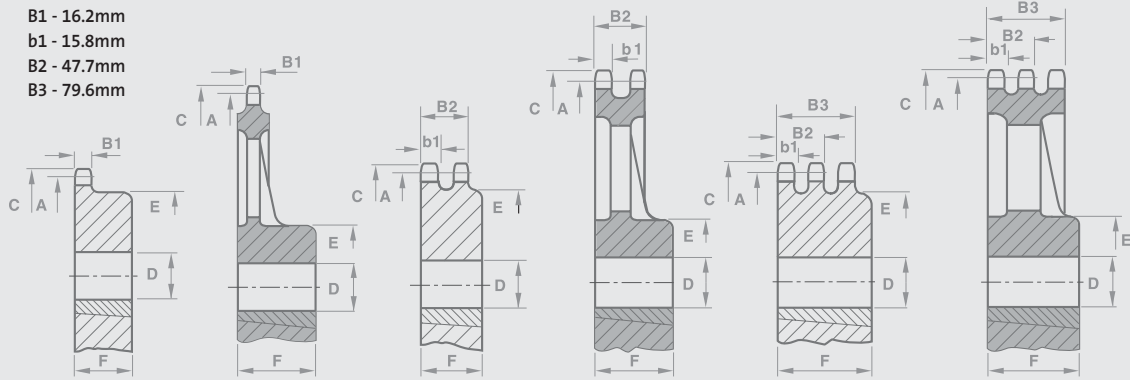
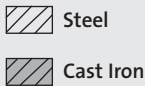
Transmission Sprockets

ISO 606 [25.4mm/1.000" Pitch]

Tooth Width SIMPLEX B1 - 16.2mm
 Tooth Width b1 - 15.8mm
 Tooth Width DUPLEX B2 - 47.7mm
 Tooth Width TRIPLEX B3 - 79.6mm

* Welded Hub

Key



Technical Details (mm)			Simplex					Duplex					Triplex				
No. of Teeth	PCD	Top Diam.	Part No.	Bore	Bore	Boss Diam.	Dist. Thro.	Part No.	Bore	Bore	Boss Diam.	Dist. Thro.	Part No.	Bore	Bore	Boss Diam.	Dist. Thro.
				MIN	MAX				MIN	MAX				MIN	MAX		

Plain Bore - steel

	A	C		D	D	E	F		D	D	E	F		D	D	E	F
11	90.14	101.7	16B1/11T	16.0	40.0	61.0	40.0	16B2/11T	20.0	44.0	64.0	70.0	16B3/11T	25.0	44.0	64.0	100.0
12	98.14	109.7	16B1/12T	16.0	45.0	69.0	40.0	16B2/12T	20.0	45.0	72.0	70.0	16B3/12T	25.0	45.0	72.0	100.0
13	106.12	117.7	16B1/13T	16.0	50.0	78.0	40.0	16B2/13T	20.0	50.0	80.0	70.0	16B3/13T	25.0	50.0	80.0	100.0
14	114.15	125.7	16B1/14T	16.0	55.0	84.0	40.0	16B2/14T	20.0	55.0	88.0	70.0	16B3/14T	25.0	55.0	88.0	100.0
15	122.17	133.7	16B1/15T	16.0	60.0	92.0	40.0	16B2/15T	20.0	60.0	96.0	70.0	16B3/15T	25.0	60.0	96.0	100.0
16	130.20	141.8	16B1/16T	20.0	60.0	100.0	45.0	-	-	-	-	-	-	-	-	-	-
17	138.22	149.8	16B1/17T	20.0	60.0	100.0	45.0	16B2/17T	25.0	72.0	112.0	70.0	16B3/17T	25.0	72.0	112.0	100.0
18	146.28	157.8	16B1/18T	20.0	6000	100.0	45.0	-	-	-	-	-	-	-	-	-	-
19	154.33	165.9	16B1/19T	20.0	60.0	100.0	45.0	16B2/19T	25.0	82.0	128.0	70.0	16B3/19T	25.0	82.0	128.0	100.0
20	162.38	173.9	16B1/20T	20.0	60.0	100.0	45.0	16B2/20T	25.0	85.0	130.0	70.0	16B3/20T	25.0	85.0	130.0	100.0
21	170.43	182.0	16B1/21T	20.0	70.0	110.0	50.0	16B2/21T	25.0	85.0	130.0	70.0	16B3/21T*	25.0	85.0	130.0	100.0
22	178.48	190.1	16B1/22T	20.0	70.0	110.0	50.0	-	-	-	-	-	-	-	-	-	-
23	186.53	198.1	16B1/23T	20.0	70.0	110.0	50.0	16B2/23T*	25.0	85.0	130.0	70.0	16B3/23T*	25.0	85.0	130.0	100.0
24	194.59	206.2	16B1/24T	20.0	70.0	110.0	50.0	-	-	-	-	-	-	-	-	-	-
25	202.66	214.2	16B1/25T	20.0	70.0	110.0	50.0	16B2/25T*	25.0	85.0	130.0	70.0	16B3/25T*	25.0	85.0	130.0	100.0
26	210.72	222.3	16B1/26T	20.0	75.0	120.0	50.0	-	-	-	-	-	-	-	-	-	-
27	218.79	230.4	16B1/27T	20.0	75.0	120.0	50.0	16B2/27T*	25.0	85.0	130.0	70.0	16B3/27T*	30.0	85.0	130.0	100.0
30	243.00	254.6	16B1/30T	20.0	75.0	120.0	50.0	16B2/30T*	25.0	85.0	130.0	70.0	16B3/30T*	30.0	85.0	130.0	100.0
38	307.59	319.2	16B1/38T*	25.0	75.0	120.0	50.0	16B2/38T*	25.0	90.0	140.0	70.0	16B3/38T*	30.0	90.0	140.0	100.0

Plain bore - heavy duty cast iron

	A	C		D	D	E	F		D	D	E	F		D	D	E	F
57	461.08	474.9	16B1/57T	35.0	75.0	130.0	76.0	16B2/57T	38.0	100.0	178.0	89.0	16B3/57T	48.0	110.0	216.0	102.0
76	614.64	628.4	16B1/76T	35.0	75.0	135.0	76.0	16B2/76T	48.0	100.0	178.0	89.0	16B3/76T	55.0	110.0	216.0	102.0
95	768.22	782.0	16B1/95T	48.0	75.0	135.0	90.0	16B2/95T	48.0	110.0	216.0	102.0	16B3/95T	55.0	110.0	216.0	102.0
114	921.82	935.6	16B1/114T	38.0	100.0	172.0	98.0	16B2/114T	48.0	110.0	203.0	114.0	16B3/114T	55.0	125.0	222.0	127.0

Technical Details (mm)			Simplex				Duplex				Triplex			
No. of Teeth	PCD	Top Diam.	Part No.	Taper Bush	Boss Diam.	Dist. Thro.	Part No.	Taper Bush	Boss Diam.	Dist. Thro.	Part No.	Taper Bush	Boss Diam.	Dist. Thro.
					MIN			MAX				MIN	MAX	

Taper bore - steel

	A	C		E	F		E	F		E	F			
15	122.17	133.7	T16B1/15T	TB1615	76.0	38.0	T16B2/15T	TB2012	-	47.7	-			
17	138.23	149.8	T16B1/17T	TB2012	90.0	32.0	T16B2/17T	TB2517	-	47.7	T16B3/17T	TB2525	-	79.6
19	154.32	165.9	T16B1/19T	TB2517	108.0	44.0	T16B2/19T	TB2517	-	47.7	T16B3/19T	TB3030	-	79.6
21	170.42	182.0	T16B1/21T	TB2517	110.0	44.0	T16B2/21T	TB3020	140.0	51.0	T16B3/21T	TB3030	-	79.6
23	186.54	198.1	T16B1/23T	TB2517	110.0	44.0	T16B2/23T	TB3020	140.0	51.0	T16B3/23T	TB3535	159.0	89.0
25	202.66	214.2	T16B1/25T	TB2517	110.0	44.0	T16B2/25T	TB3020	140.0	51.0	T16B3/25T	TB3535	175.0	89.0

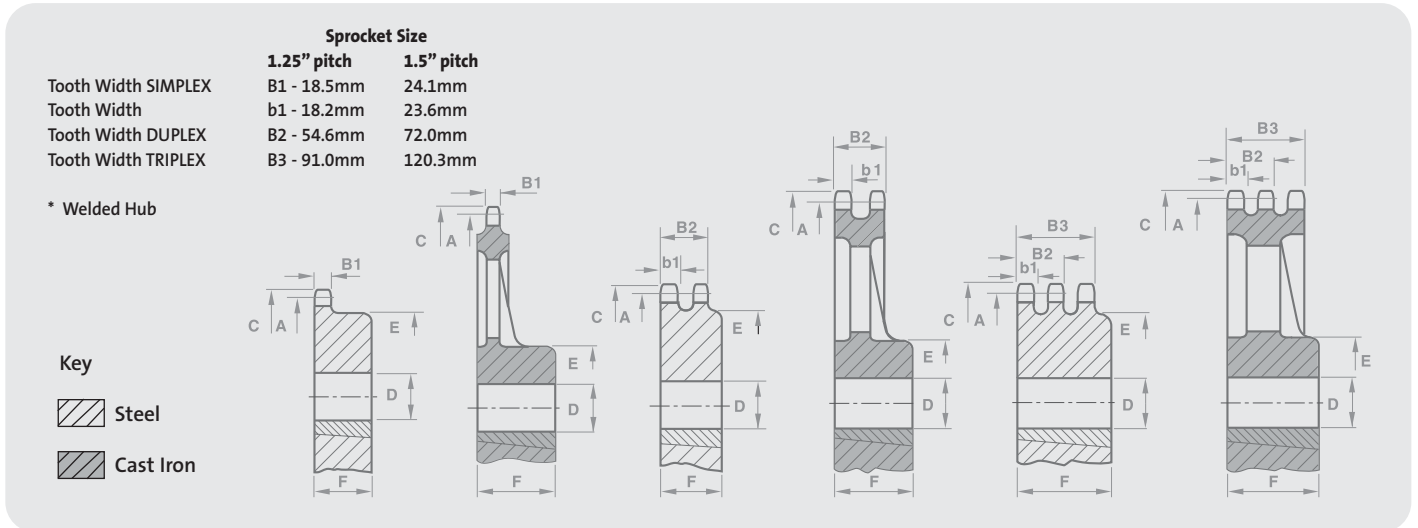
Taper bore - heavy duty cast iron

	A	C		E	F		E	F		E	F			
38	307.58	319.2	T16B1/38T	TB3020	155.0	51.0	T16B2/38T	TB3030	159.0	76.0	T16B3/38T	TB3535	178.0	89.0
57	461.08	474.9	T16B1/57T	TB3020	155.0	51.0	T16B2/57T	TB3535	178.0	89.0	T16B3/57T	TB4040	216.0	102.0
76	614.64	628.4	T16B1/76T	TB3020	160.0	51.0	T16B2/76T	TB3535	178.0	89.0	T16B3/76T	TB4040	216.0	102.0
95	768.22	782.0	T16B1/95T	TB3020	160.0	51.0	T16B2/95T	TB4040	216.0	102.0	T16B3/95T	TB4040	216.0	102.0

Rebore, keyway and setscrew modification service available - see page 73

Transmission Sprockets

ISO606 [31.75mm to 38.10mm/1.25" to 1.5" Pitch]



Technical Details (mm)			Simplex					Duplex					Triplex				
No. of Teeth	PCD	Top Diam.	Part No.	Bore	Bore	Boss Diam.	Dist. Thro.	Part No.	Bore	Bore	Boss Diam.	Dist. Thro.	Part No.	Bore	Bore	Boss Diam.	Dist. Thro.
				MIN	MAX				MIN	MAX				MIN	MAX		

1.25" Plain Bore - steel

	A	C		D	D	E	F		D	D	E	F		D	D	E	F
17	172.80	190.75	20B1/17T	25.0	85.0	120.0	50.0	20B2/17T	30.0	85.0	120.0	80.0	20B3/17T	30.0	85.0	120.0	115.0
19	192.89	210.26	20B1/19T	25.0	85.0	120.0	50.0	20B2/19T	30.0	85.0	120.0	80.0	20B3/19T	30.0	85.0	120.0	115.0
21	213.03	232.41	20B1/21T	30.0	100.0	140.0	55.0	20B2/21T	30.0	100.0	140.0	80.0	20B3/21T	30.0	100.0	140.0	115.0
23	233.17	252.22	20B1/23T	30.0	100.0	140.0	55.0	20B2/23T	30.0	100.0	140.0	80.0	20B3/23T	30.0	100.0	140.0	115.0
25	253.31	272.03	20B1/25T	30.0	100.0	140.0	55.0	20B2/25T	30.0	100.0	140.0	80.0	20B3/25T	30.0	100.0	140.0	115.0

1.25" Plain Bore - heavy duty cast iron

	A	C		D	D	E	F		D	D	E	F		D	D	E	F
38	384.48	402.08	20B1/38T	30.0	105.0	150.0	55.0	20B2/38T	30.0	105.0	150.0	80.0	20B3/38T	30.0	105.0	150.0	115.0
57	576.35	593.34	20B1/57T	48.0	95.0	170.0	81.0	20B2/57T	65.0	110.0	206.0	127.0	20B3/57T	70.0	125.0	222.0	147.0
76	768.30	784.86	20B1/76T	55.0	100.0	178.0	89.0	20B2/76T	70.0	125.0	224.0	140.0	20B3/76T	85.0	140.0	254.0	163.0

1.5" Plain Bore - steel

	A	C		D	D	E	F		D	D	E	F		D	D	E	F
17	207.34	225.55	24B1/17T	25.0	95.0	136.0	55.0	24B2/17T	30.0	95.0	136.0	100.0	24B3/17T	30.0	95.0	136.0	150.0
19	231.47	248.67	24B1/19T	25.0	95.0	136.0	55.0	24B2/19T	30.0	95.0	160.0	100.0	24B3/19T	30.0	114.0	160.0	150.0
21	255.63	276.61	24B1/21T	30.0	105.0	150.0	60.0	24B2/21T	30.0	114.0	160.0	100.0	24B3/21T	40.0	114.0	160.0	150.0
23	279.81	300.23	24B1/23T	30.0	105.0	150.0	60.0	24B2/23T	30.0	114.0	160.0	100.0	24B3/23T	40.0	114.0	160.0	150.0
25	303.99	324.10	24B1/25T	30.0	105.0	150.0	60.0	24B2/25T	30.0	114.0	160.0	100.0	24B3/25T	40.0	114.0	160.0	150.0

1.5" Plain Bore - heavy duty cast iron

	A	C		D	D	E	F		D	D	E	F		D	D	E	F
38	461.37	479.81	24B1/38T	30.0	105.0	150.0	60.0	24B2/38T	40.0	114.0	160.0	100.0	24B3/38T	40.0	114.0	160.0	150.0
57	691.62	708.91	24B1/57T	60.0	110.0	196.0	122.0	24B2/57T	80.0	140.0	254.0	152.0	24B3/57T	90.0	150.0	267.0	175.0
76	921.97	938.78	24B1/76T	65.0	125.0	216.0	135.0	24B2/76T	85.0	150.0	267.0	168.0	24B3/76T	100.0	170.0	297.0	193.0

Rebore, keyway and setscrew modification service available - see page 73

Transmission Sprockets

ISO606 [44.45mm to 50.8mm/1.75" to 2.0" Pitch]

Sprocket Size

	1.75" pitch	2.0" pitch
Tooth Width SIMPLEX	B1 - 29.4 mm	29.4 mm
Tooth Width	b1 - 28.8 mm	28.8 mm
Tooth Width DUPLEX	B2 - 88.4 mm	87.4 mm
Tooth Width TRIPLEX	B3 - 148.0 mm	146.0 mm

* Welded Hub

Technical Details (mm)			Simplex					Duplex					Triplex				
No. of Teeth	PCD	Top Diam.	Part No.	Bore	Bore	Boss Diam.	Dist. Thro.	Part No.	Bore	Bore	Boss Diam.	Dist. Thro.	Part No.	Bore	Bore	Boss Diam.	Dist. Thro.
				MIN	MAX				MIN	MAX				MIN	MAX		

1.75" Plain Bore - steel

	A	C		D	D	E	F		D	D	E	F		D	D	E	F
19	270.05	292.61	28B1/19T	30.0	114.0	160.0	75.0	28B2/19T	30.0	128.0	180.0	120.0	28B3/19T	30.0	128.0	180.0	180.0
21	298.25	324.36	28B1/21T	30.0	114.0	160.0	75.0	28B2/21T	30.0	128.0	180.0	120.0	28B3/21T	40.0	128.0	180.0	180.0
23	326.44	352.04	28B1/23T	30.0	114.0	160.0	75.0	28B2/23T	30.0	128.0	180.0	120.0	28B3/23T	40.0	128.0	180.0	180.0
25	354.66	379.98	28B1/25T	30.0	114.0	160.0	75.0	28B2/25T	30.0	128.0	180.0	120.0	28B3/25T	40.0	128.0	180.0	180.0

1.75" Plain Bore - heavy duty cast iron

	A	C		D	D	E	F		D	D	E	F		D	D	E	F
38	538.28	538.28	28B1/38T	30.0	128.0	180.0	75.0	28B2/38T	40.0	142.0	200.0	120.0	28B3/38T	40.0	142.0	200.0	180.0
57	806.88	829.31	28B1/57T	70.0	125.0	224.0	147.0	28B2/57T	100.0	150.0	267.0	165.0	28B3/57T	105.0	188.0	264.0	165.0
76	1075.61	1097.53	28B1/76T	85.0	140.0	244.0	165.0	28B2/76T	100.0	150.0	267.0	165.0	28B3/76T	120.0	202.0	284.0	178.0

2.0" Plain Bore - steel

	A	C		D	D	E	F		D	D	E	F		D	D	E	F
19	308.64	337.82	32B1/19T	30.0	114.0	160.0	90.0	32B2/19T	40.0	142.0	200.0	120.0	32B3/19T	40.0	142.0	200.0	180.0
21	340.84	372.66	32B1/21T	40.0	128.0	180.0	90.0	32B2/21T	40.0	142.0	200.0	120.0	32B3/21T	40.0	142.0	200.0	180.0
23	373.08	404.37	32B1/23T	40.0	128.0	180.0	90.0	32B2/23T	40.0	142.0	200.0	120.0	32B3/23T	40.0	142.0	200.0	180.0
25	405.31	436.12	32B1/25T	40.0	128.0	180.0	90.0	32B2/25T	40.0	142.0	200.0	120.0	32B3/25T	40.0	142.0	200.0	180.0

2.0" Plain Bore - heavy duty cast iron

	A	C		D	D	E	F		D	D	E	F		D	D	E	F
38	615.16	644.40	32B1/38T	40.0	142.0	200.0	90.0	32B2/38T	100.0	174.0	244.0	165.0	32B3/38T	105.0	188.0	264.0	165.0
57	922.17	950.47	32B1/57T	85.0	174.0	244.0	165.0	32B2/57T	105.0	188.0	264.0	165.0	32B3/57T	120.0	202.0	284.0	178.0
76	1229.28	1275.05	32B1/76T	100.0	190.0	267.0	165.0	32B2/76T	120.0	202.0	284.0	178.0	32B3/76T	130.0	232.0	325.0	191.0

Rebore, keyway and setscrew modification service available - see page 73

Transmission Sprockets

Modifications and Specials

Renold large pitch sprockets

Detailed in this catalogue are SIMPLE, DUPLEX and TRIPLEX sprockets for British Standard Roller Chain up to 1.00" pitch. 1.25" to 2.00" pitch sprockets are available to Renold specifications from stock. For more details contact Renold Chain. Renold also manufacture sprockets of intermediate numbers of teeth to suit single or multi-strand chains.

Special sprockets

In addition to this stock range, special design sprockets in normal or special materials can be manufactured to specific requirements.

American (ANSI) standard sprockets

Sprockets to suit chain manufactured to ANSI specification B 29.1 are made to order.

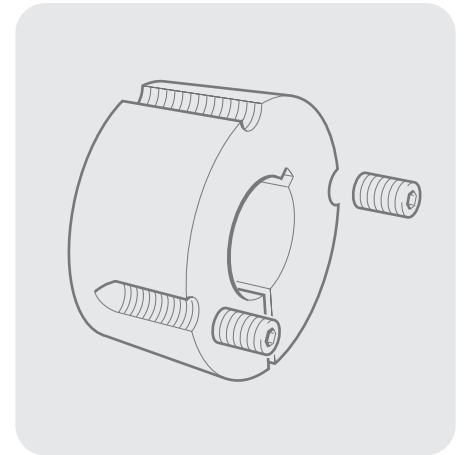
Rebore, Keyway and Setscrew modification service

Catalogued stock sprockets are supplied either taper bored or pilot bored. This pilot bore allows a larger finished bore to standard H8 tolerances to be machined. A bore to H7 tolerance can also be supplied on request. Keyways to imperial or metric specifications and setscrews can also be machined. A rebore, keyway and setscrew modification service is available and further details can be obtained on request.

Taper bushes

Taper bushes provide the quickest and simplest means of securing sprockets to a range of both imperial and metric shafts and are designed to give maximum grip.

The taper surface to both the bush and sprocket combine to provide a load bearing connection by the lock action of the hardened high tensile screws.



Our range of taper bushes are fully interchangeable with most other makes of taper bush.

Bush No.	Available Bore Sizes - Metric mm															
TB1008	9	10	12	14	16	18	19	20	22	24	25					
TB1210	11	12	14	16	18	19	20	22	24	25	28	30	32			
TB1215	11	12	14	16	18	19	20	22	24	25	28	30	32			
TB1610	14	16	18	19	20	22	24	25	28	30	32	35	38	40	42	
TB1615	14	16	18	19	20	22	24	25	28	30	32	35	38	40	42	
TB2012	14	16	18	19	20	22	24	25	28	30	32	35	38	40	42	44
TB2017	18	19	20	22	24	25	28	30	32	35	38	40	42	45	48	50
TB2517	16	18	19	20	22	24	25	28	30	32	35	38	40	42	45	48
TB2525	19	20	22	24	25	28	30	32	35	38	40	42	45	48	50	55
TB3020	25	28	30	32	35	38	40	42	45	48	50	55	60	65	70	75
TB3030	35	38	40	42	45	48	50	55	60	65	70	75				
TB3535	35	38	40	42	45	48	50	55	60	65	70	75	80	85	90	
TB4040	40	42	45	48	50	55	60	65	70	75	80	85	90	95	100	

Bush No.	Available Bore Sizes - Imperial Inch															
TB1008	0.375	0.437	0.50	0.625	0.750	1.000										
TB1210	0.50	0.625	0.750	1.00	1.125	1.250										
TB1215	0.50	0.562	0.625	0.750	0.875	1.00	1.125	1.250								
TB1610	0.50	0.625	0.750	0.875	1.00	1.125	1.250	1.50	1.625							
TB1615	0.50	0.625	0.750	0.875	1.00	1.125	1.250	1.375	1.437	1.50	1.625					
TB2012	0.50	0.625	0.750	0.975	1.00	1.125	1.250	1.375	1.50	1.625	1.750	1.875	2.00			
TB2017	0.75	0.812	0.875	0.937	1.00	1.125	1.250	1.375	1.437	1.50	1.625	1.750	1.875	2.00		
TB2517	0.75	0.875	1.00	1.125	1.250	1.375	1.437	1.50	1.625	1.750	1.875	2.00	2.125	2.250	2.375	2.500
TB2525	1.00	1.125	1.250	1.375	1.50	1.625	1.750	1.875	2.00	2.125	2.250	2.375	2.500			
TB3020	1.250	1.375	1.50	1.625	1.750	1.875	2.00	2.125	2.250	2.375	2.50	2.625	2.750	2.875	3.00	
TB3030	1.375	1.500	1.625	1.750	1.875	2.00	2.125	2.250	2.375	2.50	2.625	2.750	2.875	3.00		
TB3535	1.625	1.750	1.875	2.00	2.125	2.250	2.375	2.50	2.625	2.750	2.875	3.00	3.125	3.250	3.375	3.50
TB4040	2.00	2.125	2.250	2.375	2.50	2.625	2.750	2.875	3.00	3.125	3.250	3.375	3.50	3.625	3.750	4.00

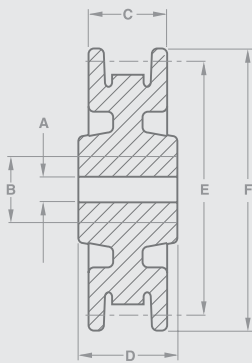
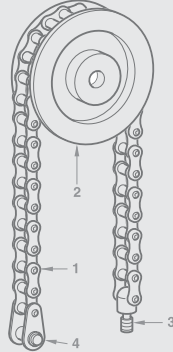
When ordering specify both the bush number and bore size required.

Transmission Counterweight Sets

Key

1. Chain
2. Guide pulley
3. Anchor stud
4. End attachment link

Unlike link chains, roller chains are exempt from annual annealing requirements for this type of application.

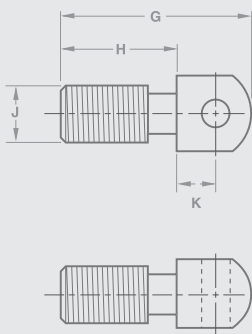


Guide pulleys

Dimensions (mm)

Renold Chain No.	Part No.	Stock Bore	Max Bore	Width Over Flanges	Distance Through Boss	Chain Pitch Diam	Outside Dia
		A	B	C	D	E	F
Standard roller chains							
111046	661200	12.000	25.000	23.000	25.000	80.140	89.000
110046	661201*	12.000	25.000	28.000	32.000	85.980	95.000
110056	661202*	14.000	32.000	31.000	38.000	105.410	114.000
110066	661203*	19.000	35.000	38.000	45.000	126.370	140.000
110088	661204*	30.000	50.000	54.000	64.000	171.580	191.000
Extended pitch roller chains							
113083	661201	12.000	25.000	28.000	32.000	85.980	95.000
113103	661202	14.000	32.000	31.000	38.000	105.410	114.000
113123	661203	19.000	35.000	38.000	45.000	126.370	140.000
113168	661204	30.000	50.000	54.000	64.000	171.580	191.000

* Sprockets can be supplied for use with these chains.

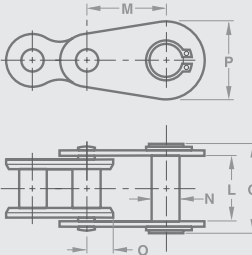


Anchor studs

Dimensions (mm)

Renold Chain No.	Part No.	Overall Length Max	Thread Length Max	Metric Thread Size	Pin to Shoulder Max
		G	H	J	K
Standard roller chains					
111046	661031	27.000	16.400	M8-1.25	5.720
110046	661032	32.000	20.000	M10-1.50	6.860
110056	661033	41.000	26.000	M12-1.75	7.820
110066	661034	44.000	26.000	M16-2.00	9.140
110088	661035	62.000	39.000	M20-2.50	11.810
Extended pitch roller chains					
113083	661032	32.000	20.000	M10-1.50	6.860
113103	661033	41.000	26.000	M12-1.75	7.820
113123	661034	44.000	26.000	M16-2.00	9.140
113168	661035	62.000	39.000	M20-2.50	11.810

* Sprockets can be supplied for use with these chains.



End attachment links

Dimensions (mm)

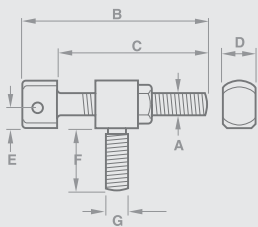
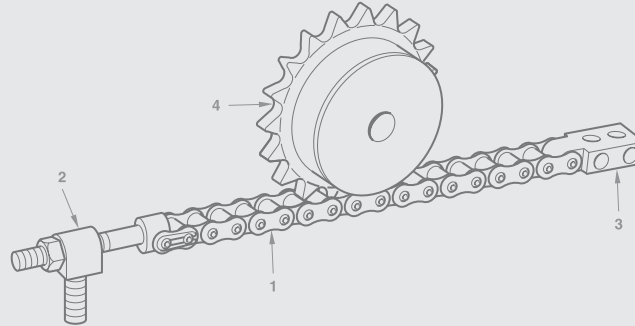
Renold Chain No.	Part No.	Inside Width Min	Pitch Nom	Stud Diam Max	Inner Link Head	Plate Head Max	Clearance
		L	M	N	O	P	Q
111046	111046/230	12.000	25.000	23.000	25.000	80.140	89.000
110046	110046/230*	12.000	25.000	28.000	32.000	85.980	95.000
110056	111056/230*	14.000	32.000	31.000	38.000	105.410	114.000
110066	111066/230*	19.000	35.000	38.000	45.000	126.370	140.000
110088	111088/230*	30.000	50.000	54.000	64.000	171.580	191.000

Part No. 230 comprises end attachment link riveted to an inner link (No.4) and is supplied complete. It is secured to chain by means of an outer link (No. 107).

Transmission Rack Sets

Key

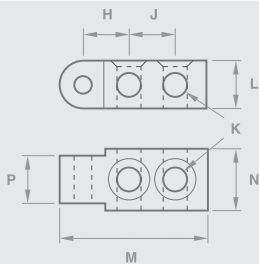
1. Chain
2. Draw bolt and block
3. Anchor plate
4. Sprocket



Draw bolt and block

Dimensions (mm)

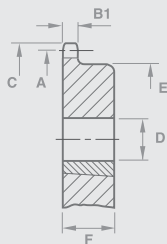
Renold Chain No	Part No	Metric Thread Size	Overall Length Max	Length Under Head Max	Head Width Max	Base to Chain Centre	Block Thread Length	Metric Thread Size
		A	B	C	D	E	F	G
110046	661410	M08-1.25	63.000	51.000	11.200	5.080	19.600	M12-1.75
110056	661411	M10-1.50	78.000	64.000	13.100	7.100	26.000	M16-2.00
110066	661412	M12-1.75	90.000	73.000	15.500	8.600	26.000	M16-2.00
110088	661413	M16-2.00	126.000	104.000	25.200	11.170	39.000	M20-2.50



Anchor plate

Dimensions (mm)

Renold Chain No	Part No	Bolt Hole to Chain Pin Nom	Bolt Hole Pitch Nom	Hole Dia Min	Block Depth	Overall Length Max	Block Width	Chain Width Max
		H	J	K	L	M	N	P
110046	661310	12.700	12.700	5.300	12.700	40.000	15.900	11.200
110056	661311	15.900	20.300	8.400	15.900	55.000	22.300	13.100
110066	661312	15.900	20.300	8.400	17.500	58.000	22.300	15.500
110088	661313	25.400	28.000	10.500	22.200	84.000	31.800	25.200



Sprockets

Dimensions (mm)

Renold Chain No	Part No	No. of Teeth	PCD	Top Dia	Bore Min	Bore Max	Boss Dia	Dist' Thro'
			A	C	D	D	E	F
110046	661310	12.700	12.700	5.300	12.700	40.000	15.900	11.200
110056	661311	15.900	20.300	8.400	15.900	55.000	22.300	13.100
110066	661312	15.900	20.300	8.400	17.500	58.000	22.300	15.500
110088	661313	25.400	28.000	10.500	22.200	84.000	31.800	25.200

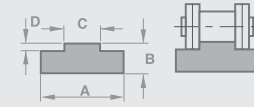
See pages 66 - 72 for dimension B1

Roller Chain Guides

Plastic guide rails horizontal

Dimensions (mm)

Chain ISO No.	Part No.	A	B	C	D
06B-1	T1 021 510	15.000	10.000	5.500	1.500
08B-1	T1 052 010	20.000	10.000	7.500	2.200
08B-1	T1 052 015	20.000	15.000	7.500	2.200
10B-1	T1 072 010	20.000	10.000	9.300	2.600
10B-1	T1 072 015	20.000	15.000	9.300	2.600
12B-1	T1 082 515	25.000	15.000	11.300	2.400
12B-1	T1 082 520	25.000	20.000	11.300	2.400
16B-1	T1 094 015	40.000	15.000	16.500	3.500
16B-1	T1 094 020	40.000	20.000	16.500	3.500
20B-1	T1 104 515	45.000	15.000	19.000	4.200
24B-1	T1 116 015	60.000	15.000	24.700	5.500

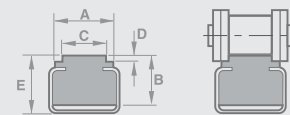


Plastic Guide Rails
Horizontal - T-Profile

Plastic guide rails steel reinforced horizontal

Dimensions (mm)

Chain ISO No.	Part No.	A	B	C	D	E
08B-1	CT 4/1	20.000	9.000	7.500	2.200	11.000
08B-1	CT 6/2	17.000	12.000	7.500	2.200	17.000
10B-1	CT 8/2	17.000	12.000	9.300	2.600	17.000
12B-1	CT 9/2	20.000	12.000	11.300	2.400	17.000
12B-1	CT 10/3	23.500	12.000	11.300	2.400	18.000
16B-1	CT 11/3	23.500	12.000	16.500	3.500	18.000
20B-1	CT 12/3	28.000	12.000	19.000	4.300	18.000
24B-1	CT 13/5	33.000	25.000	24.700	5.500	30.000

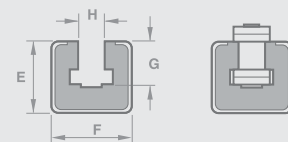


Plastic Guide Rails
Steel Reinforced Horizontal

Plastic guide rails steel reinforced vertical

Dimensions (mm)

Chain ISO No.	Part No.	E	F	G	H
06B-1	CGK 1/6	24.000	30.000	8.700	6.600
08B-1	CGK 5/6	24.000	30.000	11.500	8.700
10B-1	CGK 7/6	24.000	30.000	13.500	10.400
12B-1	CGK 8/6	24.000	30.000	15.900	12.300
16B-1	CGK 9/9	40.000	45.000	25.000	16.100
20B-1	CGK 10/9	40.000	45.000	28.000	19.300



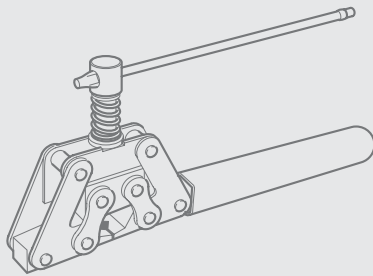
Plastic Guide Rails
Steel Reinforced Vertical

Rivet Extractors and Chain Lubricant

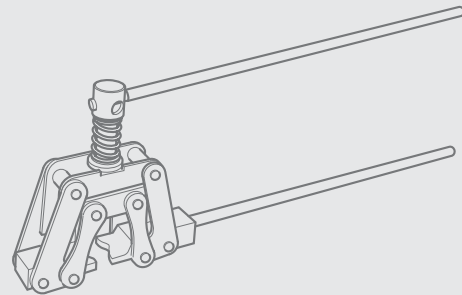
For chain breaking

Screw operated extractors break chain by forcing the Renold end softened bearing pins out of the outer link plates.

For other brands of chain the rivet swell must first be ground away.



Part No. 10101
For use with chains:
9.525 mm/0.375" to 15.875 mm/0.625".
BS and ANSI Series.



Part No. 10102
For use with chains:
19.05 mm/0.75" to 31.75 mm/1.25" BS Series.
19.05 mm/0.75" to 25.4 mm/1" ANSI Series.

Chain lubricant

Renold Chain Lubricant has been specially formulated to ensure positive lubrication and protection to all working surfaces of the chain drive. It is fast penetrating, does not drip or fling, and is ideal for quick and easy application, particularly on open chain drives where normal lubrication is not possible.

- Fast positive penetration
- Does not drip or drain away
- Resists centrifugal flinging
- Longer chain life

Part No. 611124
For use on 'open' chain drives.

